

Ordering information:
 TPJ-49421- □ □ □ □ □ □ □ 4
 (1) (2) (3) (4) (5) (6) (7)
 (1): Series No.
 (2): Schematic option: A, B, C, D, S, P, I
 (3): Material of housing:
 PB=PBT 66=PA66 9T=PA9T
 (4): Housing color:

Zero — 0A=Black (Standard)
 2G=Red (0113=PBT)
 5U=Green (0112=PBT)
 6A=Blue (284C/0443=PBT)
 8B=Gray (0144=PBT)
 9A=White (0100=PBT)
 2R=Red (204C=PA66)
 5G=Green (577C=PA66)
 6A=Blue (284C=PA66)

(5): Terminal plating:
 S=Silver (Ag) (Standard)
 G=Gold (Au)

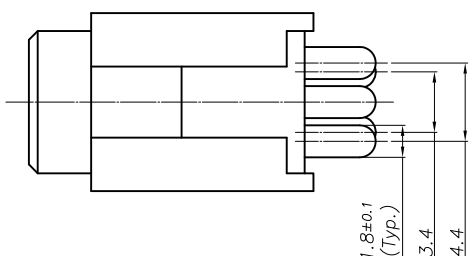
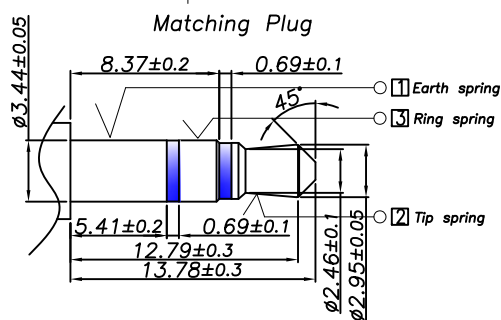
(6): Special option:
 See table 1

(7): Packing mode:
 4=Bag packing

RECOMMENDED P.C.B. LAYOUT
 UNSPECIFIED TOLERANCE: ±0.05
 (TOP VIEW)

Table 1:

Special option	00	01	02	03	10	11	12	13
Housing&Cover have the same color	✓	✓	✓	✓				
Cover color is black					✓	✓	✓	✓
Material isn't BeCu	✓				✓			
2# Material is BeCu		✓				✓		
3# Material is BeCu			✓				✓	
2#&3# Material is BeCu				✓				✓

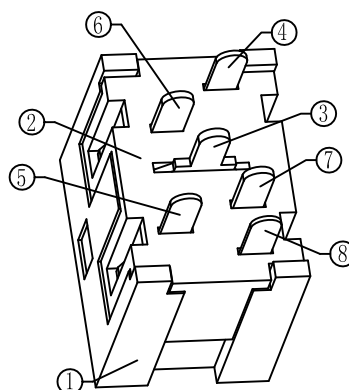


Model No.	TPJ-49421-P	TPJ-49421-A	TPJ-49421-I	TPJ-49421-B	TPJ-49421-D	TPJ-49421-S	TPJ-49421-C
Schematic code							

Circuit Diagram □: Terminal No.

Specification:

- Rating : DC 30V 0.5A.
- Contact resistance: ≤30mΩ.
After life test: ≤50mΩ.
- Insulation resistance: ≥100MΩ (500VDC).
After life test: ≥50MΩ.
- Withstand voltage: 500VAC.
- Insertion and extraction force: 3N~30N.
- life test: 5000cycles min.
- Operation temperature range: -20℃~70℃.
- Preservative temperature range: -40℃~85℃.



8	Make terminal	6	1	Copper alloy	TPJ-49421-06(JA-668)	Silver/Gold plating
7	Shunt terminal	5	1	Copper alloy	TPJ-49421-05(PP-665)	Silver/Gold plating
6	Shunt terminal	4	1	Copper alloy	TPJ-49421-04(PP-666)	Silver/Gold plating
5	Ring spring	3	1	Copper alloy	TPJ-49421-03(TP-663)	Silver/Gold plating
4	Tip spring	2	1	Copper alloy	TPJ-49421-02(TP-664)	Silver/Gold plating
3	Earth spring	1	1	Copper alloy	TPJ-49421-01(JA-669)	Silver/Gold plating
2	Cover		1	Thermoplastic	TPJ-49421-S2(GZ-667)	
1	Housing		1	Thermoplastic	TPJ-49421-S1(ST-662)	
NO.	DESCRIPTION	QTY	MATERIAL	PART NO.	REMARK	

TACLEX TACLEX ELECTRONICS CO., LTD.

TOLERANCES UNLESS OTHERWISE SPECIFIED LINEAR:LINEAR ANGLE:ANGLE	SIGNATURES		DATE	TITLE
	DRAWN	DRAWN	DTAE-1	Phone Jack
	CHK'D	CHK'D	DTAE-2	NO.
REVISIONS	REVISIONS	SCALE	APPV'D	APPV'D
			DTAE-3	TPJ-49421

△			
△			
△			
△			
△			
SYM	DISCRIPTION	DATE	APPROVED