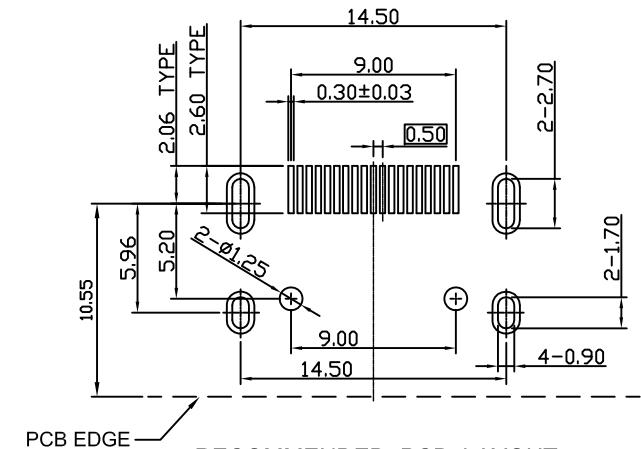


THA - S10MT1 B - L * N - T R

Series _____
 Type _____
 Color _____
 B : Black
 Material _____
 L : High-Thermoplastic

Tape & Reel
 Shell
 N : Nickel Plated
 Gold Plated
 0 : Gold Flash
 1 : 5u"
 2 : 15u"
 3 : 30u"



RECOMMENDED PCB LAYOUT
TOP VIEW
 TOLERANCE: ±0.05mm
 PCB THICKNESS: 1.60±0.05mm

NO.	NAME	MATERIAL	PLATING
1	HOUSING	High-Thermoplastic	
2	SHELL	Alloy	Ni-Plated
3	TERMINAL	Copper Alloy	Gold-Tin Plated
4	TERMINAL	Copper Alloy	Gold-Tin Plated

SYM	DISCIPTION	DATE	APPROVED
1			
2			
3			

TACLEX TACLEX ELECTRONICS CO., LTD.

TOLERANCES UNLESS OTHERWISE SPECIFIED
 LINEAR: ±0.30 ANGULAR: ±3°

REVISIONS	SIGNATURES	DATE	TITLE
A	Eric	2014.06.11	HDMI A TYPE 19PIN SMT
	Aaron	2014.06.11	
	Rex	2014.06.11	

NO. _____
 THA-S10MT1