

**THA - S10MT B - L \* N - T R**

Series \_\_\_\_\_ Tape & Reel

Type \_\_\_\_\_

Color \_\_\_\_\_ Shell

B : Black N : Nickel Plated

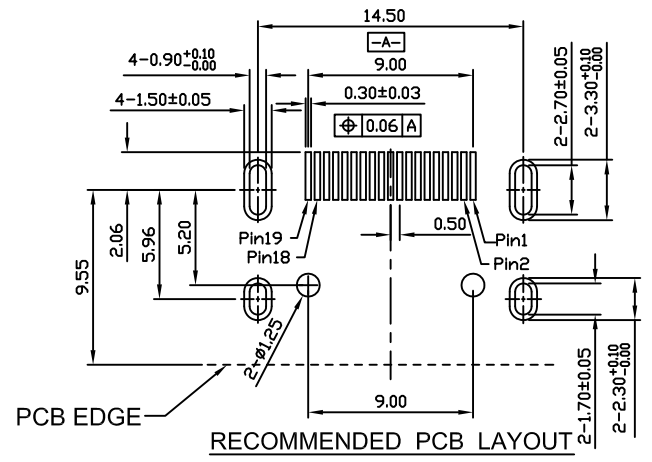
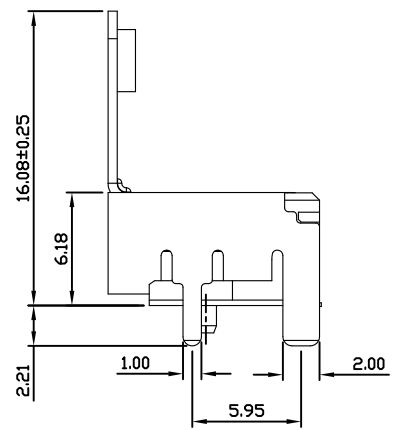
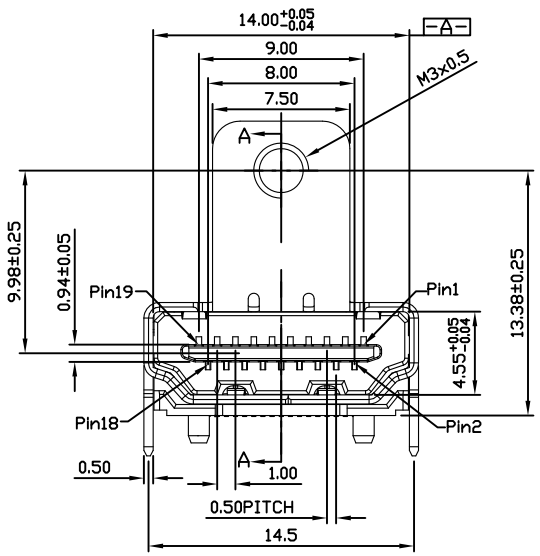
Material \_\_\_\_\_ Gold Plated

L : High-Thermoplastic 0 : Gold Flash

1 : 5u"

2 : 15u"

3 : 30u"

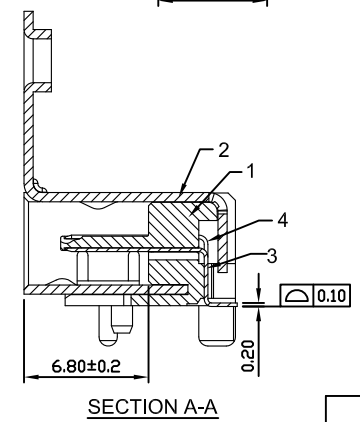
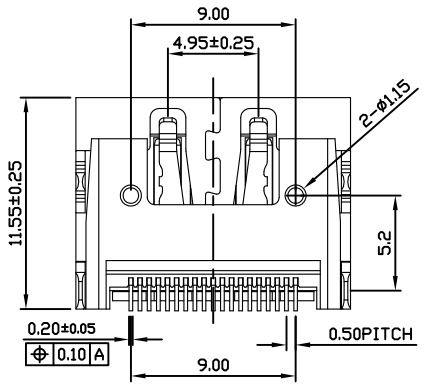


**RECOMMENDED PCB LAYOUT**

TOP VIEW

TOLERANCE: ±0.05mm

PCB THICKNESS: 1.60±0.05mm



NO.	NAME	MATERIAL	PLATING
1	HOUSING	High-Thermoplastic	
2	SHELL	Alloy	Ni-Plated
3	TERMINAL	Copper Alloy	Gold-Tin Plated
4	TERMINAL	Copper Alloy	Gold-Tin Plated

△			
△			
△			
△			
△			
SYM	DISCIPTION	DATE	APPROVED
1			
2			
3			

**TACLEX** TACLEX ELECTRONICS CO., LTD.

TOLERANCES UNLESS OTHERWISE SPECIFIED LINEAR: ±0.30 ANGULAR: ±3°	SIGNATURES		DATE	TITLE
	DRAWN	Eric	2014.01.25	HDMI A TYPE 19PIN SMT
	CHK'D	Aaron	2014.01.25	NO.
REVISIONS A	SCALE 5/1	APPV'D Rex	2014.01.25	THA-S10MT