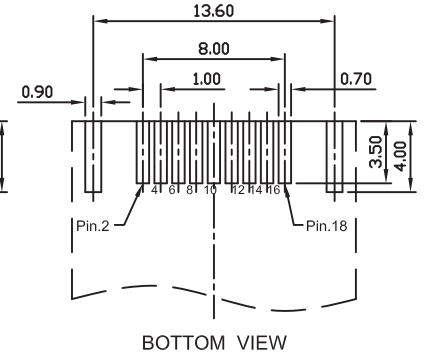
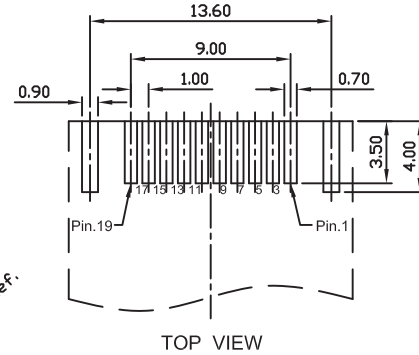
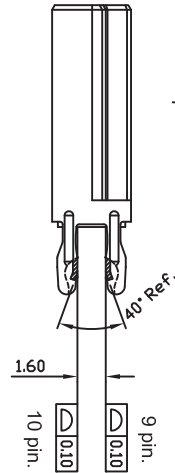
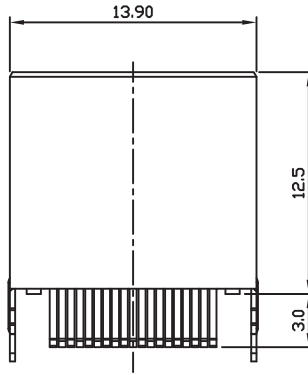
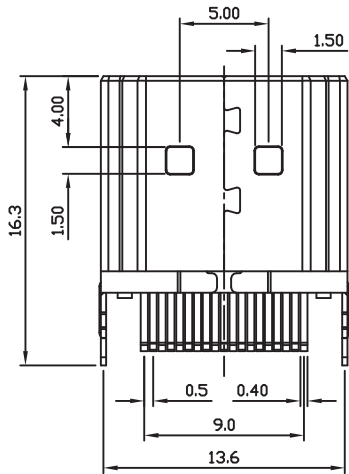
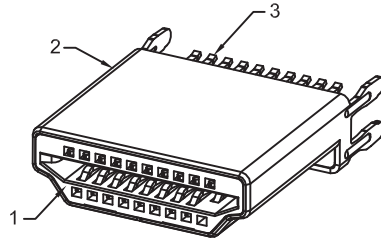
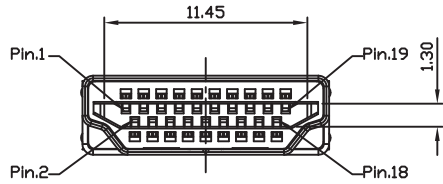


NO.	NAME	MATERIAL	FINISH
1	Housing	High Thermoplastic	
2	Shell	Alloy	Ni Plated
3	Terminal	Copper Alloy	Gold-Tin Plated

THA-S11PA3 B-L 0 F1

Series _____
 Type _____
 Color _____
 B : Black

Shell
 F1 : Nickel Plated
 Gold Plated
 0 : Gold Flash
 Material
 L : High-Thermoplastic



RECOMMENDED PCB LAYOUT
 TOLERANCE: ±0.05mm
 PCB THICKNESS: 1.60±0.10mm

SYM	DISCRIPTION	DATE	APPROVED
△			
△			
△			
△			
△			

TACLEX TACLEX ELECTRONICS CO., LTD.

TOLERANCES UNLESS OTHERWISE SPECIFIED LINEAR: ±0.30 ANGULAR: ±3°		SIGNATURES	DATE	TITLE
DRAWN	Eric		2014.01.22	HDMI A TYPE PLUG
CHK'D	Aaron		2014.01.22	
APPV'D	Rex		2014.01.22	
REVISIONS	A	SCALE	5/1	NO. THA-S11PA3