

NO.	NAME	MATERIAL	FINISH
1	Housing	PBT	
2	Terminal	C5191-H	Gold & Tin Plated
3	Shell	S50C	Ni Plated

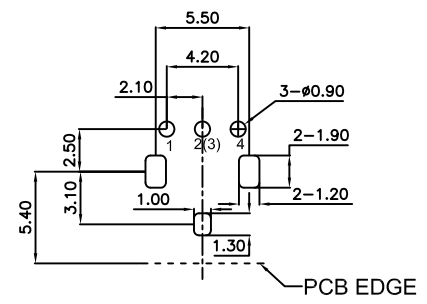
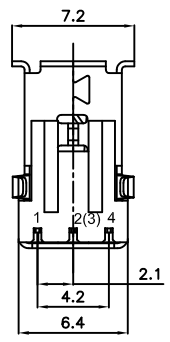
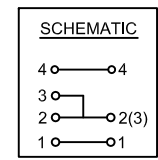
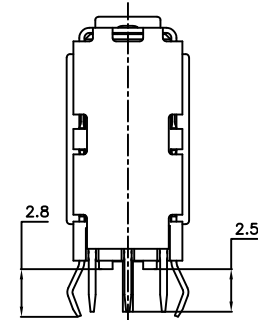
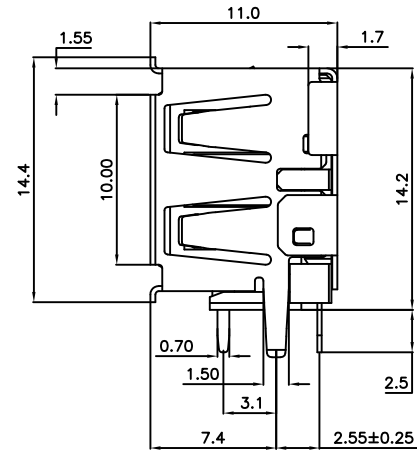
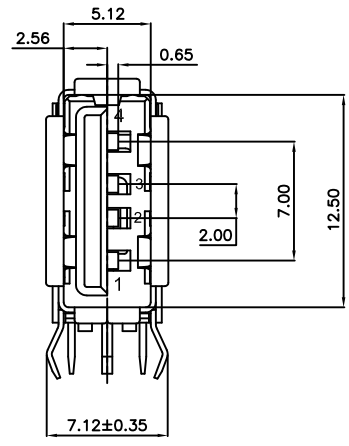
TUA-S10A3 * - B * D

Series _____
 Type _____
 Color _____
 B : Black
 W : White

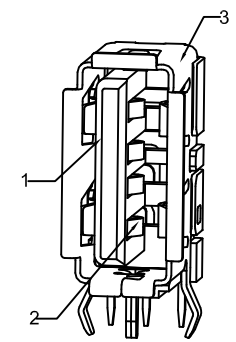
Shell
 D : Nickel Plated

Version
 0 : Gold Flash (1u")
 1 : 1.1 (3~5u")
 2 : 2.0 (30u")

Material
 B : PBT



RECOMMENDED PCB LAYOUT
TOP VIEW
 TOLERANCE: ±0.05mm
 PCB THICKNESS: 1.20±0.05mm



SYM	DISCRIPTION	DATE	APPROVED
△			
△			
△			
△			
△			

TACLEX TACLEX ELECTRONICS CO., LTD.

TOLERANCES UNLESS OTHERWISE SPECIFIED LINEAR: ±0.30 ANGULAR: ±3°	SIGNATURES		DATE	TITLE			
	DRAWN	Eric	2013.09.13	USB A TYPE U/P DIP			
	CHK'D	Aaron	2013.09.13	NO.			
REVISIONS	A	SCALE	5/1	APPV'D	Rex	2013.09.13	TUA-S10A3