

NO.	NAME	MATERIAL	FINISH
1	HOUSING	Thermoplastic	
2	PIN TERM.	Copper Alloy	Gold-Tin Plated
3	SHELL	Copper Alloy	Ni Plated
4	SHELL	Copper Alloy	Ni Plated
5	COVER SHELL	Copper Alloy	Ni Plated

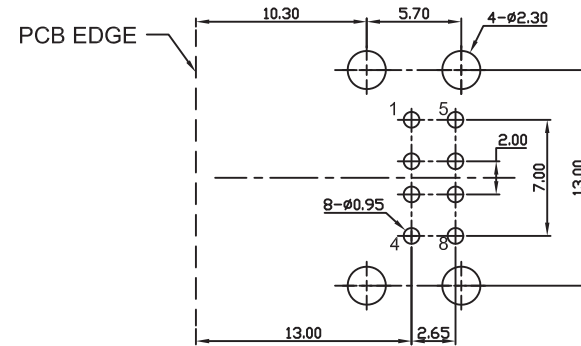
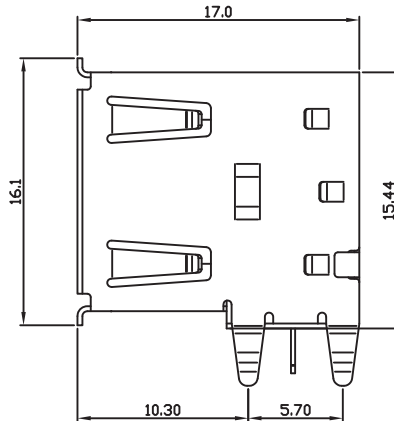
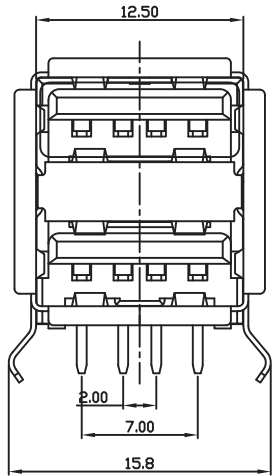
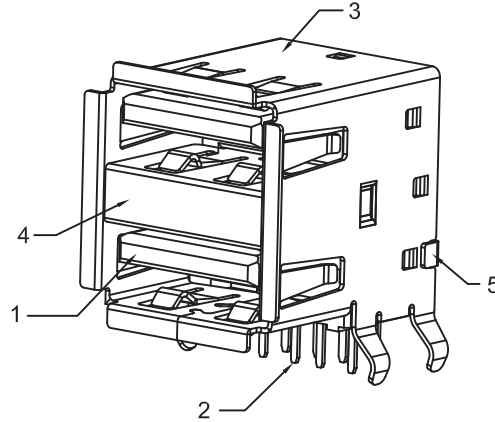
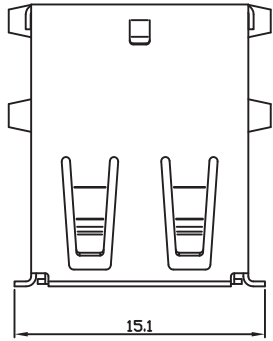
TUA-D10H*-* *N

Series ————
 Type ————
 Color ————
 B : Black
 W : White

Shell
 N : Nickel Plated (Foggy Surface)

Version
 1 : Gold Flash
 2 : 30u"

Material
 B : PBT
 P : Nylon



RECOMMENDED PCB LAYOUT
 TOP VIEW
 TOLERANCE: ±0.05mm
 PCB THICKNESS: 1.60±0.05mm

△			
△			
△			
△			
△			
SYM	DISCRIPTION	DATE	APPROVED



TACLEX

TACLEX ELECTRONICS CO., LTD.

TOLERANCES UNLESS
 OTHERWISE SPECIFIED
 LINEAR: ±0.30 ANGULAR: ±3°

SIGNATURES

DATE

TITLE

DRAWN

Alex

2012.03.16

USB A TYPE DIP DOUBLE

CHK'D

Andy

2012.03.16

NO.

REVISIONS



SCALE

5/1

APPV'D

Rex

2012.03.16

TUA-D10H