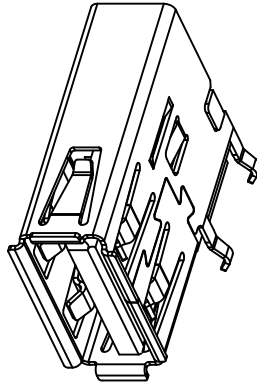


NO.	NAME	MATERIAL	FINISH
1	HOUSING	NYLON / PBT	
2	TERMINAL	COPRER ALLOY	Gold-Tin Plated
3	SHELL	COPRER ALLOY	Ni Plated
4	CAP	NYLON / PBT	



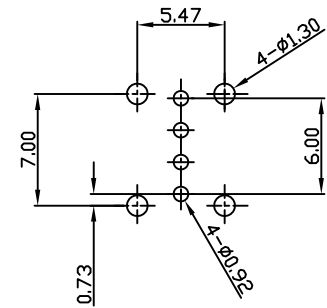
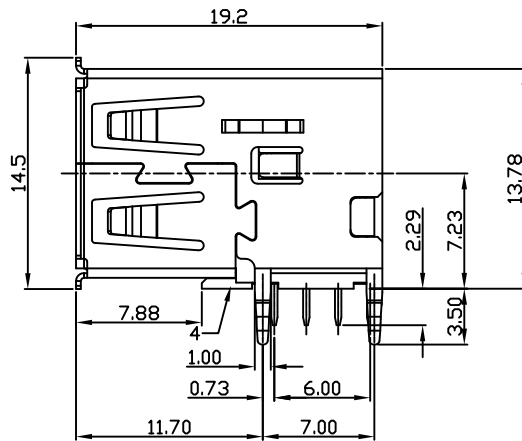
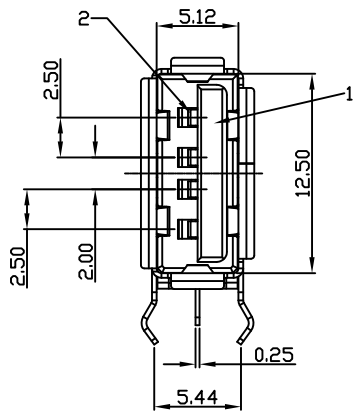
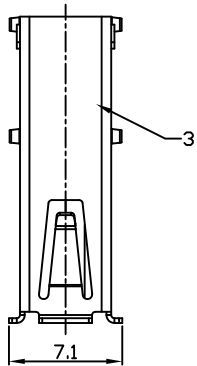
TUA-S10V4 * - * * *

Series _____
 Type _____
 Color _____
 B : Black
 W : White

Shell
 T : Tin Plated
 F : SPCC
 N : Nickel Plated (Foggy Surface)

Version (A)
 1 : 1.1 (Gold Flash)
 2 : 2.0 (30u")

Material
 B : PBT
 P : Nylon



RECOMMENDED PCB LAYOUT
TOP VIEW
 P.C.B THICKNESS=1.57±0.05mm

△			
△			
△			
△			
△			
SYM	DISCRIPTION	DATE	APPROVED



TACLEX

TACLEX ELECTRONICS CO., LTD.

TOLERANCES UNLESS
 OTHERWISE SPECIFIED
 LINEAR: ±0.30 ANGULAR: ±3°

SIGNATURES

DATE

TITLE

DRAWN

Andy

2007.02.16

USB A TYPE DIP

CHK'D

Alex

2007.02.16

NO.

TUA-S10V4

REVISIONS

A



SCALE

5/1

APPV'D

Rex

2007.02.16