

TUA-S10H1 * - * * *

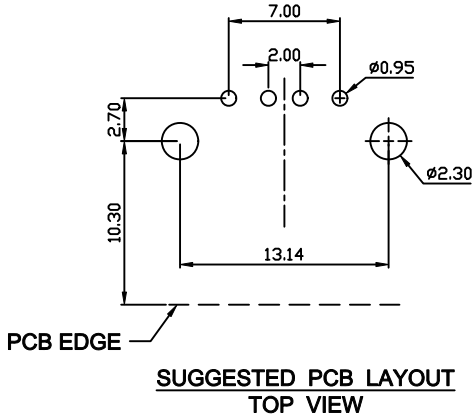
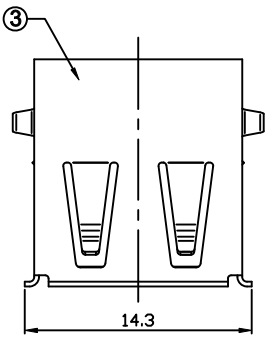
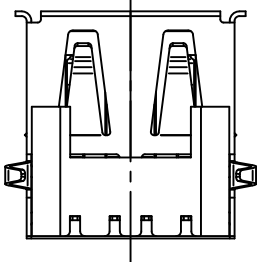
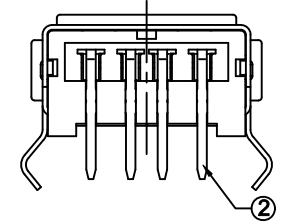
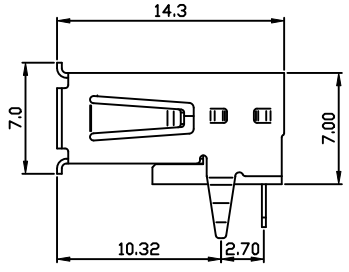
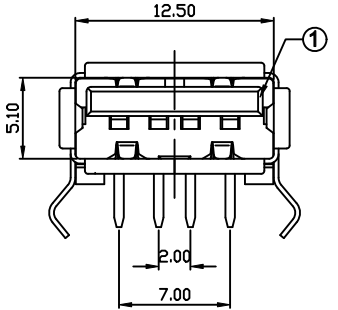
Series _____
 Type _____
 Color _____
 B : Black
 W : White

Shell
 N : Nickel Plated (Foggy Surface)

Version
 1 : Gold Flash
 2 : 30u"

Material
 B : PBT
 P : Nylon

NO.	NAME	MATERIAL
1	HOUSING	PBT / Nylon
2	PIN TERM.	PHOS. BRONZE
3	SHELL	BRASS



SYM	DISCIPTION	DATE	APPROVED
△			
△			
△			
△			
△			

TACLEX TACLEX ELECTRONICS CO., LTD.

TOLERANCES UNLESS OTHERWISE SPECIFIED LINEAR: ±0.30 ANGULAR: ±3°	SIGNATURES		DATE	TITLE
	DRAWN	Andy	2007.03.12	USB A TYPE DIP
	CHK'D	Alex	2007.03.12	NO.
REVISIONS A	SCALE 5/1	APPV'D Rex	2007.03.12	TUA-S10H1