

NO.	NAME	MATERIAL	FINISH
1	Housing	Thermoplastic	
2	Terminal	Copper Alloy	Gold-Tin Plated
3	Shell	Alloy	Ni Plated

TUA - S10A7 B - B * D2

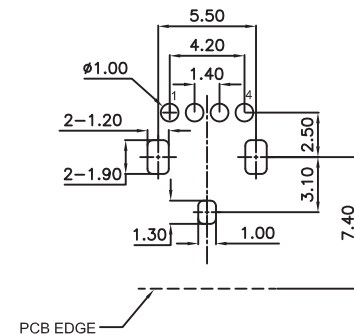
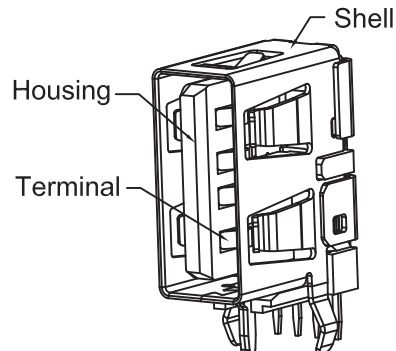
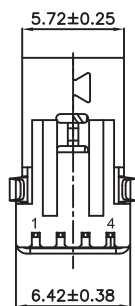
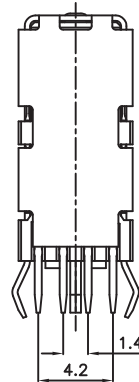
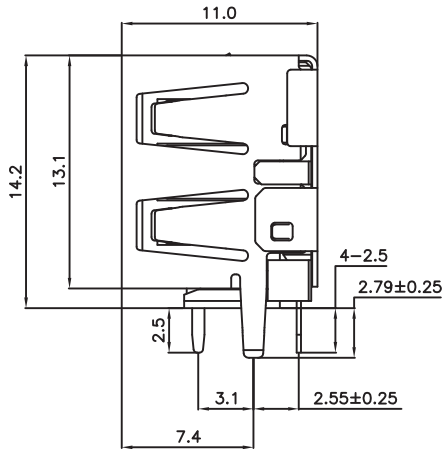
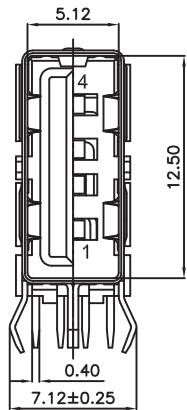
Type _____

Color _____
B : Black

Shell
D2 : Nickel Plated

Version
1 : 1.1
2 : 2.0

Material
B : Thermoplastic



RECOMMENDED PCB LAYOUT
TOP VIEW
TOLERANCE: ±0.05mm
PCB THICKNESS: 1.20±0.05mm

△			
△			
△			
△			
△			
SYM	DISCIPTION	DATE	APPROVED



TACLEX

TACLEX ELECTRONICS CO., LTD.

TOLERANCES UNLESS
OTHERWISE SPECIFIED
LINEAR: ±0.30 ANGULAR: ±3°

SIGNATURES

DATE

TITLE

DRAWN

Alex

2013.11.14

USB A TYPE U/P DIP

CHK'D

Andy

2013.11.14

NO.

REVISIONS



SCALE

5/1

APPV'D

Rex

2013.11.14

TUA-S10A7