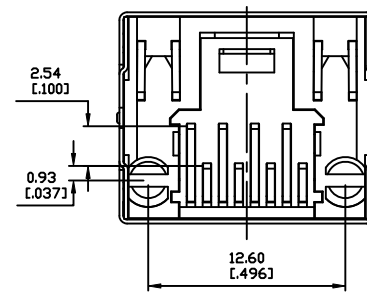
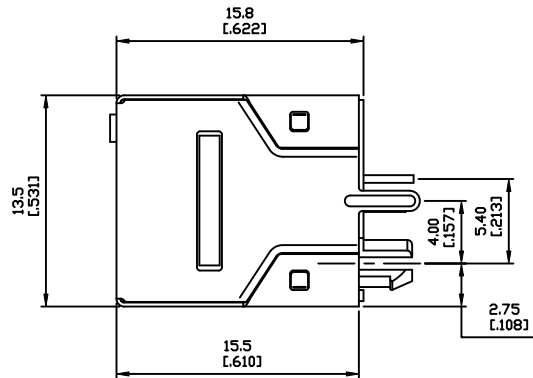
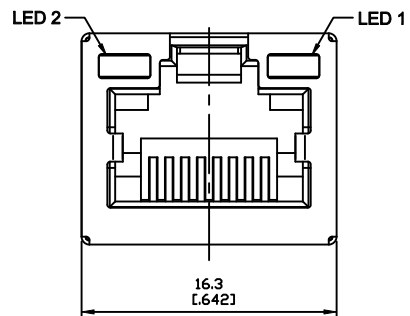


**RECOMMENDED PCB LAYOUT
TOP VIEW**



Electrical Characteristics :
 Insulation Resistance : 500MΩ Min.
 Contact Resistance : 50mΩ Max.
 Withstand Voltage : 1000 VAC 1 minute.
 Current Rating : 1.5A

Material:
 Housing: Thermoplastic UL 94V-0
 Contact : Selective Gold Plating
 Terminal: 0.35mm Thickness Phosphor Bronze
 Plated With Gold And Tin In Solder Area.
 Shielded: Brass ,Nickel Plating

CUL File No : E215573

PART NO : HA88P-B*1*-0

Positions →
 Contacts →
 Housing Color →
 B : Black →
 Gold Plated →
 0 : 3u"
 1 : 6u"
 2 : 15u"
 3 : 30u"
 4 : 50u"
 LED Options →
 Ports →

LED Color Options Table

LED Color Options		LED DASH OPTION
LED 2 (Left)	LED 1 (Right)	
No LED	No LED	0
Yellow	Green	1
No LED	Green	2
Yellow	No LED	3
Green	Yellow	4
Green	Green	5
Yellow	Yellow	6
Orange/Green	Orange/Green	7
Yellow/Green	Yellow/Green	8
Orange/Green	Yellow	9
Green	Orange	A
Orange	Green	B
Green	Red	C
Red	Green	D

TACLEX TACLEX ELECTRONICS CO., LTD.

TOLERANCES UNLESS OTHERWISE SPECIFIED LINEAR: ±0.30 ANGULAR: ±3°	SIGNATURES		DATE	TITLE
	DRAWN	James	2009.06.15	RJ45 JACK
	CHK'D	Andy	2009.06.15	NO.
REVISIONS	SCALE	APPV'D	Rex	2009.06.15
A	5/1			HA88P-Bx1x-0

△			
△			
△			
△			
△			
SYM	DISCIPTION	DATE	APPROVED
1			
2			
3			