

NO.	NAME	MATERIAL	FINISH
1	Housing	High-Thermoplastic	
2	Terminal	Copper Alloy	Pd-Ni + Gold Plated
3	Shell	Alloy	Matte-Tin Plated

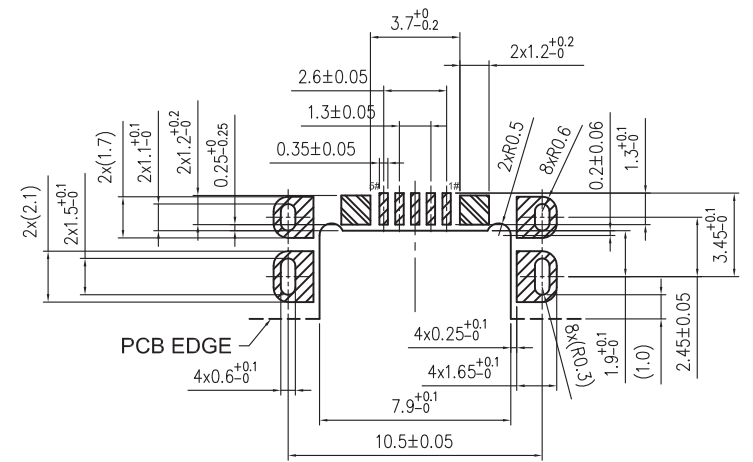
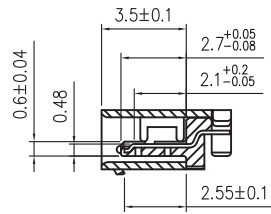
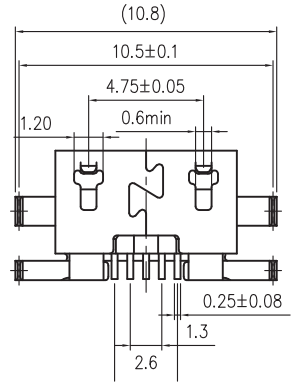
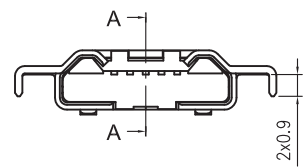
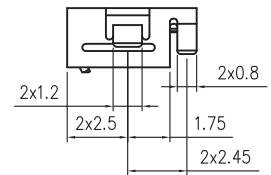
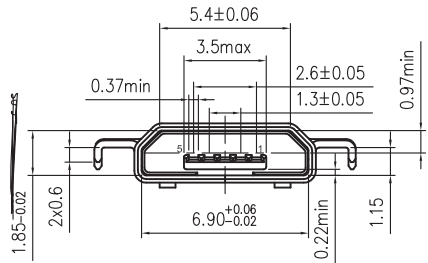
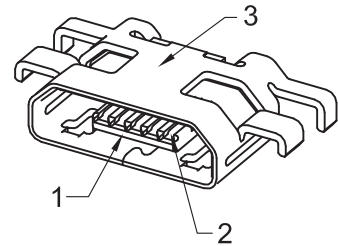
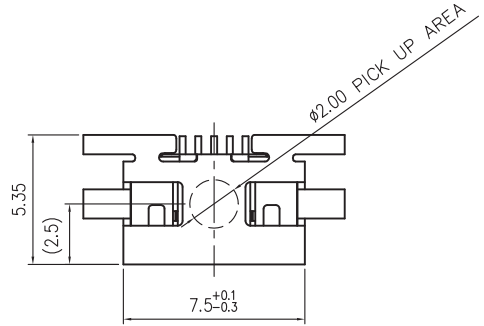
TCU-S60ME4 B - V * S5 - T R

Series _____
 Type _____
 Color _____
 B : Black

Shell
 S5 : Alloy, Matte Tin Plated

Version
 1 : Gold Flash
 2 : 30u"
 6 : Pd-Ni + Gold Plated

Material
 V : High-Thermoplastic
 (Halogen Free)



RECOMMENDED PCB LAYOUT
 TOP VIEW
 TOLERANCE: ±0.05mm
 PCB THICKNESS: 1.60±0.05mm

: Prohibited pattern area.

△			
△			
△			
△			
△			
SYM	DISCRIPTION	DATE	APPROVED

TACLEX TACLEX ELECTRONICS CO., LTD.

TOLERANCES UNLESS OTHERWISE SPECIFIED LINEAR: ±0.30 ANGULAR: ±3°		SIGNATURES	DATE	TITLE
		DRAWN Alex	2016. 5. 26	Micro USB , Type B , Receptacle Offset , Horizontal , Single , SMT
		CHK'D Andy	2016. 5. 26	NO. TCU-S60ME4
REVISIONS		APPV'D Rex	2016. 5. 26	
A		SCALE 5/1		