

NO.	NAME	MATERIAL	FINISH
1	Housing	High-Thermoplastic	
2	Terminal	Copper Alloy	Gold Plated
3	Shell	Alloy	Ni Plated

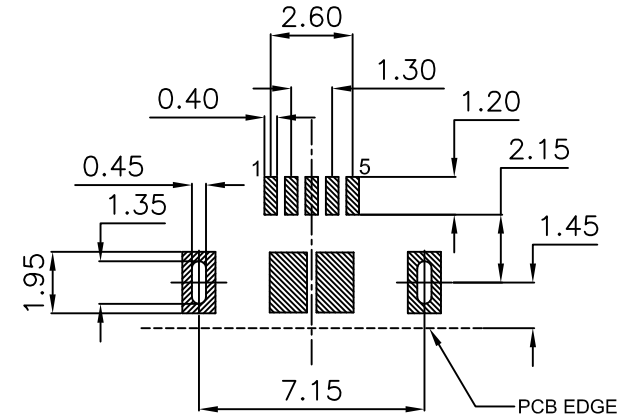
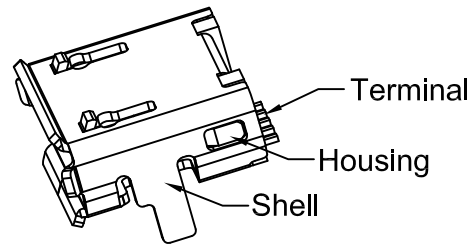
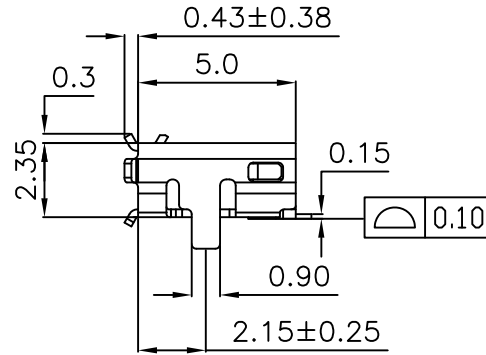
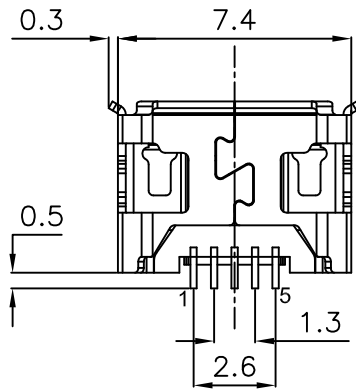
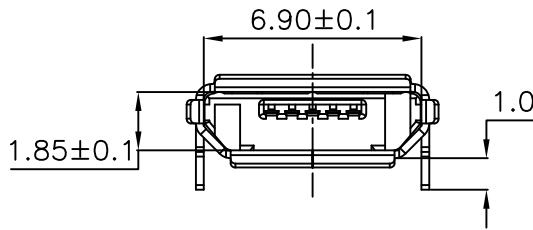
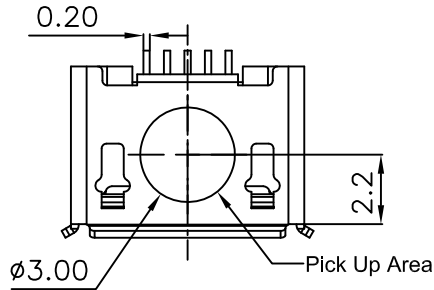
TCU- S60M5 B - L * E - T R

Series ————
 Type ————
 Color ————
 B : Black

Shell
 E : Nickel Plated

Version
 1 : Gold Flash
 2 : 30u"

Material
 L : High-Thermoplastic



RECOMMENDED PCB LAYOUT
TOP VIEW
 TOLERANCE: ±0.05mm
 PCB THICKNESS: 1.00±0.05mm

△			
△			
△			
△			
△			
SYM	DISCRIPTION	DATE	APPROVED



TACLEX

TACLEX ELECTRONICS CO., LTD.

TOLERANCES UNLESS
 OTHERWISE SPECIFIED
 LINEAR: ±0.30 ANGULAR: ±3°

SIGNATURES

DATE

TITLE

DRAWN

Eric

2014.09.01

MICRO USB SMT

CHK'D

Aaron

2014.09.01

NO.

TCU-S60M5

REVISIONS

A



SCALE

5/1

APPV'D

Rex

2014.09.01