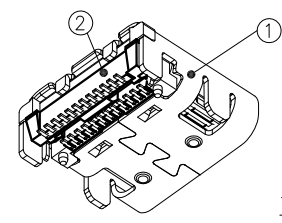
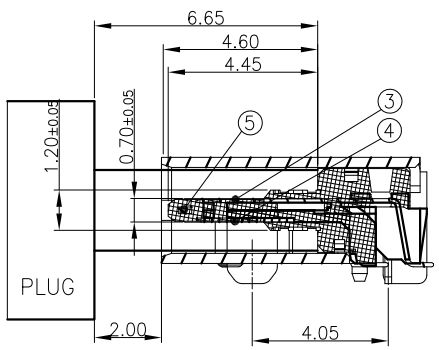
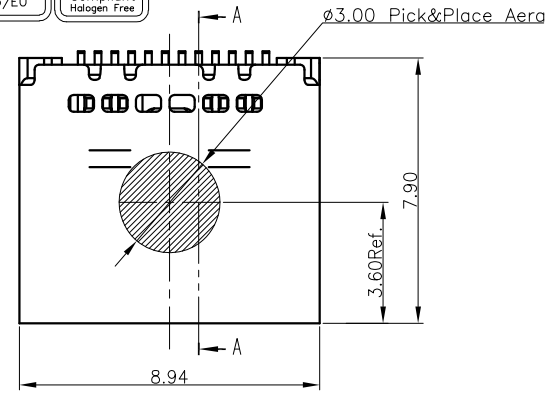
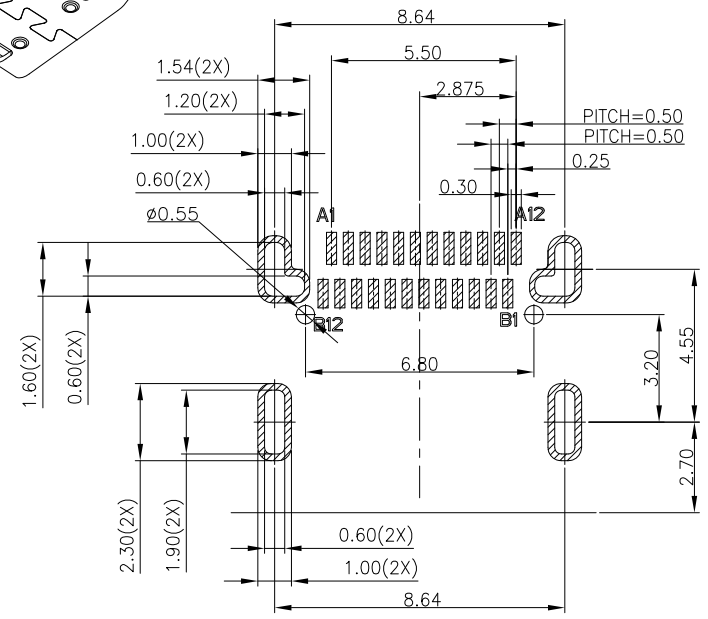




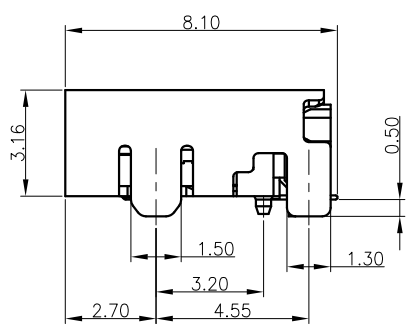
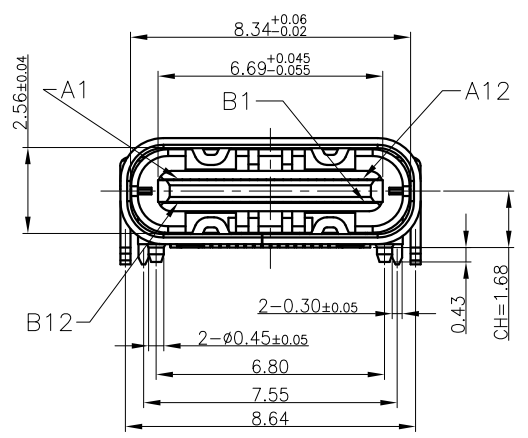
REV.	ECN NO OR DESCRIPTION	REVISED	DATE
A	PROPOSE ONLY	ERIC	2017.03.12



AFTER MATING SECTION:A-A



RECOMMENDED PCB LAYOUT (THICKNESS: 0.80MM)
PWB TOLERANCE: ±0.05

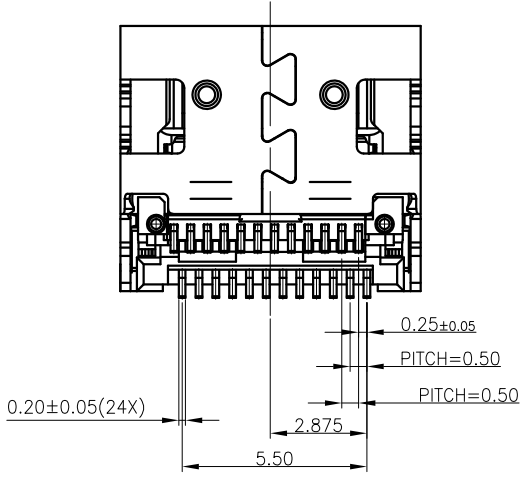


SPECIFICATION:

1. ELECTRICAL CHARACTERISTICS:
 - 1.1 CURRENT RATING: 1.5A/Pin MAX(A4,A9,B4,B9)
 - 1.25A/Pin MAX(A1,A12,B1,B12), 0.25A (OTHER PIN)
 - 1.2 TEMPERATURE RANGE: -40 °C ~ 85 °C
 - 1.3 CONTACT RESISTANCE: 40 MILLIONHM MAX.
 - 1.4 DIELECTRIC WITHSTANDING VOLTAGE: 100 VAC r.m.s
 - 1.5 INSULATION RESISTANCE: 100 MEGOHMS MIN.
2. MECHANICAL CHARACTERISTICS
 - 2.1 INSERTION FORCE: 5~20N
 - 2.2 EXTRACTION FORCE: Initial: 8~20N; Durability: 6~20N (1000cycles);
 - 2.3 DURABILITY: 10,000CYCLES

PIN ASSIGNMENT

Pin	Signal Name	Pin	Signal Name	Pin	Signal Name	Pin	Signal Name
A1	GND	B12	GND	A7	Dn1	B6	Dp2
A2	SSTXp1	B11	SSRXp1	A8	SBU1	B5	CC2
A3	SSTXn1	B10	SSRXn1	A9	VBUS	B4	VBUS
A4	VBUS	B9	VBUS	A10	SSRXn2	B3	SSTXn2
A5	CC1	B8	SBU2	A11	SSRXp2	B2	SSTXp2
A6	Dp1	B7	Dn2	A12	GND	B1	GND



NO.	DESCRIPTION	QTY.	MATERIAL	FINISH
5	MID PLATE	1 PCS	STAINLESS STEEL	Ni 30u" MIN. UNDER PLATED OVER ALL.
4	CONTACT B	1 SET	COPPER ALLOY	Ni 50u" MIN. UNDER PLATED OVER ALL. Au PLATED ON THE FUNCTIONAL AREA OF CONTACT. (GOLD PLATING THICKNESS FOLLOW THE P/N) PLATING SPECIFICATIONS OF THE SOLDER AREA FOLLOW THE P/N
3	CONTACT A	1 SET	COPPER ALLOY	
2	HOUSING	1 PCS	LCP	COLOR: BLACK
1	SHELL	1 PCS	STAINLESS STEEL	Ni 30u" MIN. UNDER PLATED OVER ALL.

UNLESS OTHERWISE SPECIFIED TOLERANCES

DECIMALS: ANGLES:

X : ±0.5 X : ±2°

X.X : ±0.30 X.X : ±1°

X.XX : ±0.20

X.XXX : ±0.10

TACLEX ELECTRONICS CO., LTD.

TITLE: Type.C 24PIN Dual SMT CONN. RECPTACLE

DWN Johnie PART NO. MC1R-320124-06G

CHKD Kevin.d SCALE:1:1 UNIT: mm

APVD Simon.Mo SIZE: A4 SHEET:1OF1 REV: A

CUSTOMER COPY