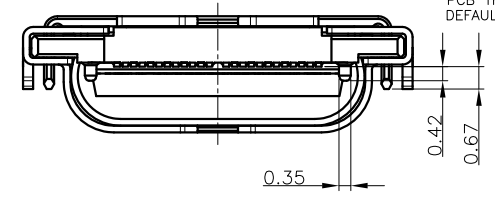
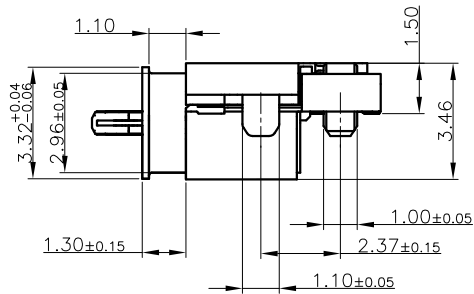
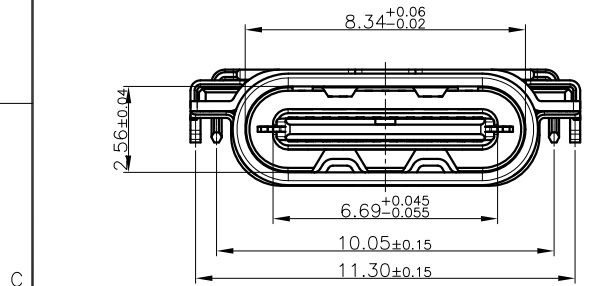
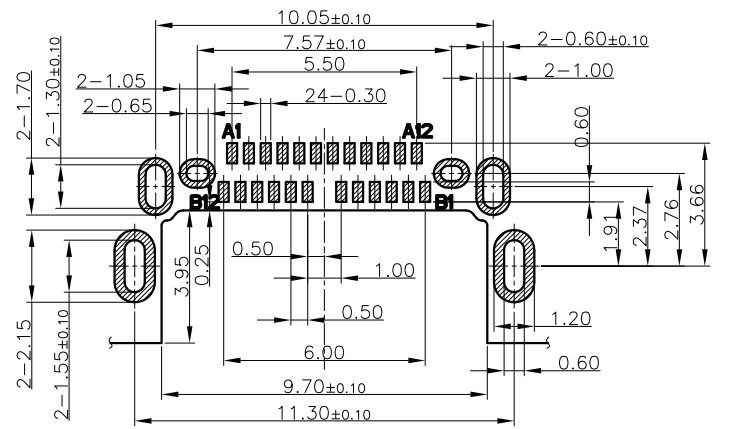
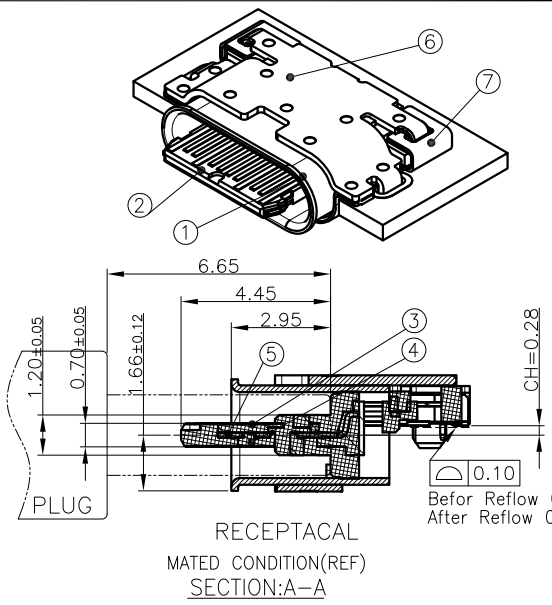
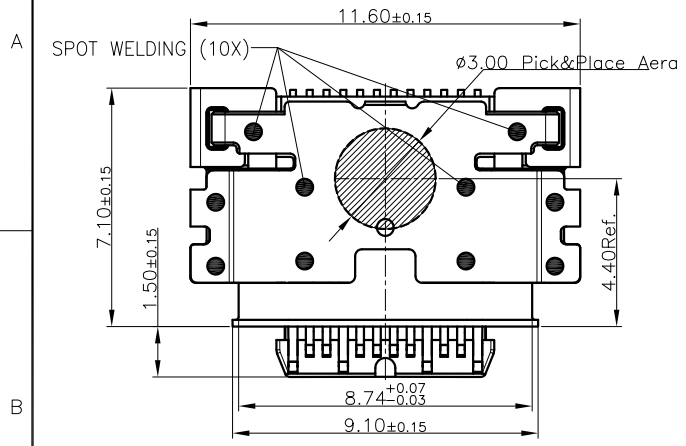


REV.	ECN NO OR DESCRIPTION	REVISED	DATE
A	PROPOSE ONLY	ERIC	2018.07.05

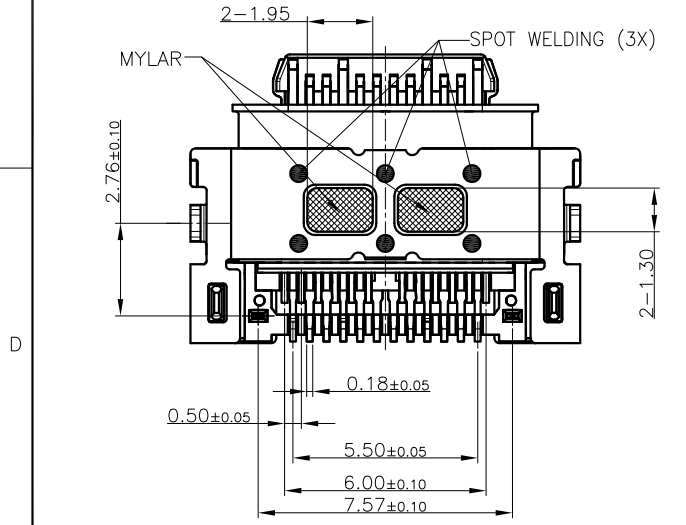
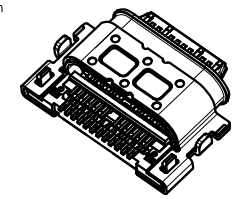
PIN ASSIGNMENTS:

A1	A2	A3	A4	A5	A6	A7	A8	A9	A10	A11	A12
GND	TX1+	TX1-	Vbus	CC1	D+	D-	SBU1	Vbus	RX2-	RX2+	GND
B12	B11	B10	B9	B8	B7	B6	B5	B4	B3	B2	B1
GND	RX1+	RX1-	Vbus	SBU2	D-	D+	CC2	Vbus	TX2-	TX2+	GND



RECOMMENDED P.C.B LAYOUT (COMPONENT SIDE)

PCB THICKNESS: 0.80±0.05mm
DEFAULT TOLERANCE: ±0.05mm



SPECIFICATION:

1.ELECTRICAL CHARACTERISTICS:

1.1 CURRENT RATING: 5A
1.2 CONTACT RATED VOLTAGE: 30V AC
1.3 TEMPERATURE RANGE: -40 °C ~ 85 °C
1.4 CONTACT RESISTANCE: 40 MILLIONHM MAX.
1.5 DIELECTRIC WITHSTANDING VOLTAGE: 100 VAC r.m.s
1.6 INSULATION RESISTANCE: 100 MEGOHMS MIN.

2.MECHANICAL CHARACTERISTICS

2.1 INSERTION FORCE: 5~20N
2.2 EXTRACTION FORCE: Initial: 8~20N;
Durability: 6~20N(10000cycles);
2.3 DURABILITY: 10,000CYCLES

3. IR REFLOW:
THE PEAK TEMPERATURE ON THE BOARD SHALL BE MAINTAINED FOR 10 SECONDS AT 260°C.

4.PART NO.: **TUC 56-15 1 2 24 02-11**

TYPE C CONN.

Product Order

18: HEIGHT ON BOARD 1.8mm

1=BLACK HOUSING

2=WITH OUT POST

11= Services NO.

02=3u" Au Plating On Contact Aera

Pin NO. 24=24Pin

NO.	DESCRIPTION	QTY.	MATERIAL	FINISH
7	SHELL-3	1 PCS	STAINLESS STEEL	1.25~2.5MICRON(50~100u") NICKEL PLATING
6	SHELL-2	1 PCS	STAINLESS STEEL	1.25~2.5MICRON(50~100u") NICKEL PLATING
5	MID PLATE	1 PCS	STAINLESS STEEL	1.25~2.5MICRON(50~100u") NICKEL PLATING
4	CONTACT B	1 SET	COPPER ALLOY	CONTACT AREA: AU 3u" SOLDER AREA: AU 1u" 30~50u" NICKEL PLATING
3	CONTACT A	1 SET	COPPER ALLOY	
2	HOUSING	1 PCS	PA46	COLOR: BLACK
1	SHELL-1	1 PCS	STAINLESS STEEL	1.25~2.5MICRON(50~100u") NICKEL PLATING

UNLESS OTHERWISE SPECIFIED TOLERANCES

TACLEX ELECTRONICS CO., LTD.

DECIMALS:	ANGLES:	TITLE	Type.C 24Pin DuII SMT CONN. RECP TACLE		
X :±0.5	X :±2°	DWN	chenjun	PART NO.TUC56-15122402-11	
X.X :±0.30	X.X :±1°	CHKD	chenjun	SCALE:1:1	UNIT: mm
X.XX :±0.20		APVD	Kevin.d	SIZE: A4	SHEET:1OF1
X.XXX :±0.10					REV: A
					DRAW NO. C-DWG-TCR56-01
					CUSTOMER COPY