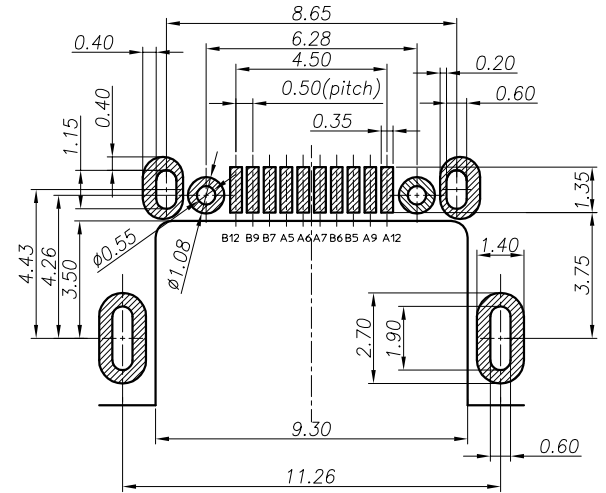
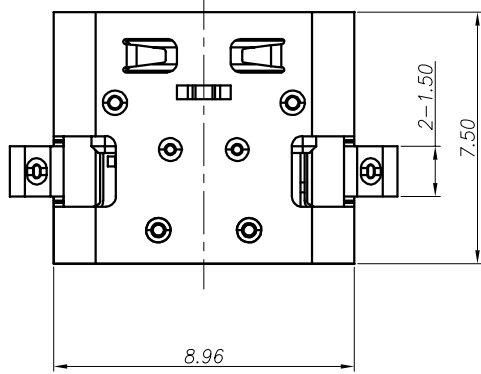


REV.	ECN NO OR DESCRIPTION	REVISED	DATE
A	PROPOSE ONLY	ERIC	2015.08.13

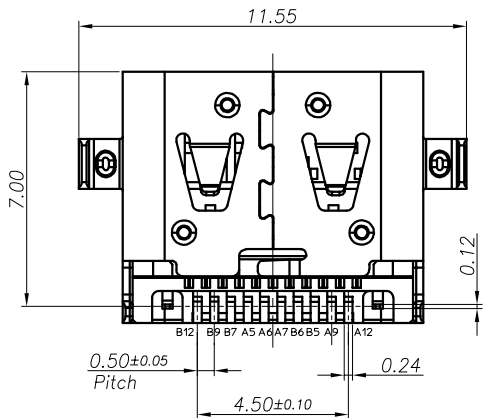
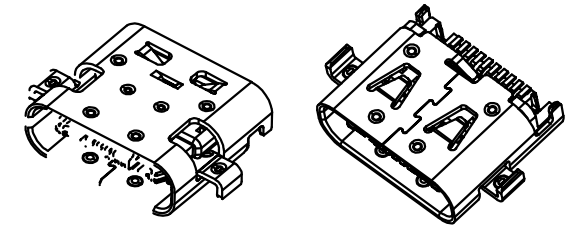
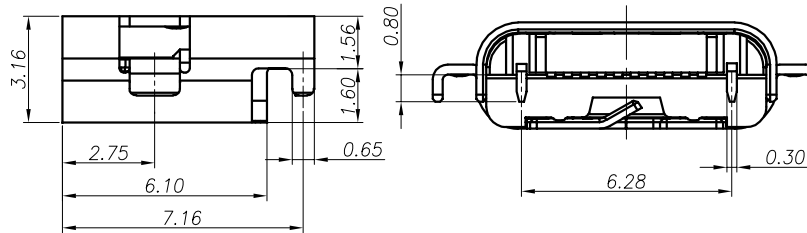
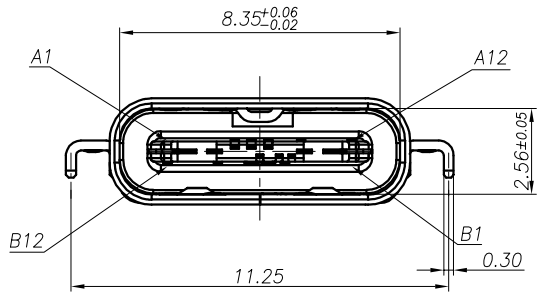
SPECIFICATIONS:

- ELECTRICAL CHARACTERISTICS:
 - CONTACT RESISTANCE: 30m MAX.Ω
 - DIELECTRIC WITHSTANDING VOLTAGE: 100V AC FOR ONE MINUTE.
 - INSULATION RESISTANCE: 100MΩ MIN. MEASURED BY 500 VDC
- MECHANICAL CHARACTERISTICS:
 - INSERTION FORCE :0.5~2.0Kgf(REF.)
 - WITHDRAWAL FORCE :0.8~2.0Kgf(REF.)
- LIFE TEST: 10,000 CYCLES.
- TO CONFORM TO THE KRCONN HAZARDOUS SUBSTANCE FREE SPEC.
- PART No.:

TUC -%* S&P% S-S. ;
 TYPE C - G=gold flash
 08=L=7.5 TYPE
 Pin NO. 10=10Pin
 02=LOW BOARD
 16:HEIGHT 1.6mm



RECOMMENDED P.C.B. LAYOUT (T:1.00mm)
 TOLERANCE UNSPECIFIED ±0.05mm



A1		B12	GND
A2		B11	
A3		B10	
A4		B9	VBUS
A5	CC1	B8	
A6	DP1	B7	DN2
A7	DN1	B6	DP2
A8		B5	CC2
A9	VBUS	B4	
A10		B3	
A11		B2	
A12	GND	B1	
PIN	SIGNAL NAME	PIN	SIGNAL NAME

D	PLATE	1	STAINLESS STEEL	NICKEL PLATED
C	SHELL	1	STAINLESS STEEL	NICKEL PLATED
B	CONTACT	10	COPPER ALLOY	AU 2u"+Pd-Ni 30u" ON CONTACT AREA AND GOLD FLASH ON SOLDER AREA ALL OVER NICKEL PLATED
A	HOUSING	1	HIGH TEMP. THERMOPLASTIC UL 94V-0	BLACK
NO	DESCRIPTION	QTY	MATERIAL	PLATING & COLOR

UNLESS OTHERWISE SPECIFIED TOLERANCES



DECIMALS:	ANGLES:
X :±0.5	X :±2°
X.X :±0.20	X.X :±1°
X.XX :±0.10	

TITLE	Micro USB 2.0(type.C) RECTANGLE Conn Asm. LOW PCB 1.6MM TYPE		
DWN	Johnie	PART NO.	TUC-160210-08G
CHKD	Kevin.d	SCALE:1:1	UNIT: mm
APVD	Simon.Mo	SIZE: A4	SHEET:10F1

CUSTOMER COPY