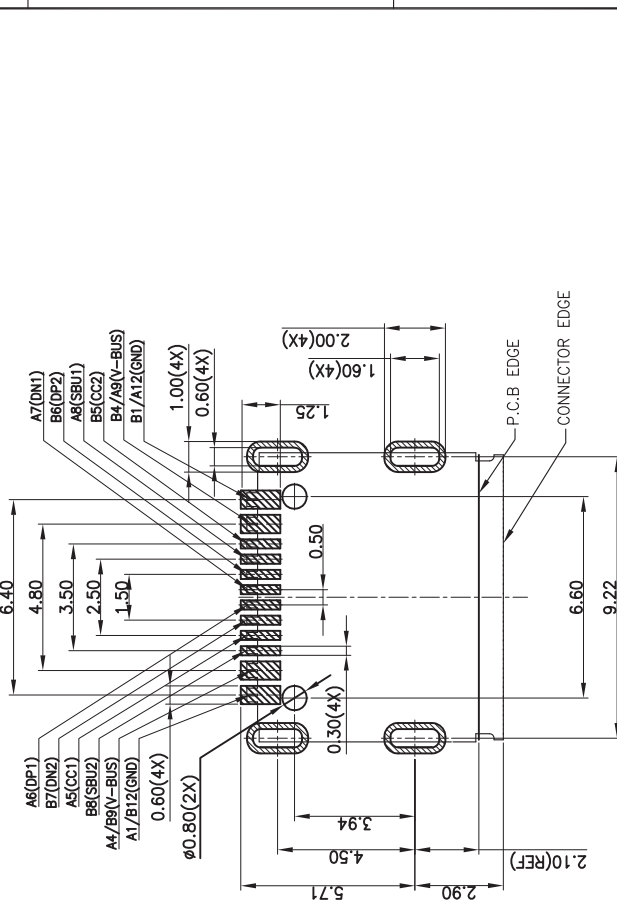
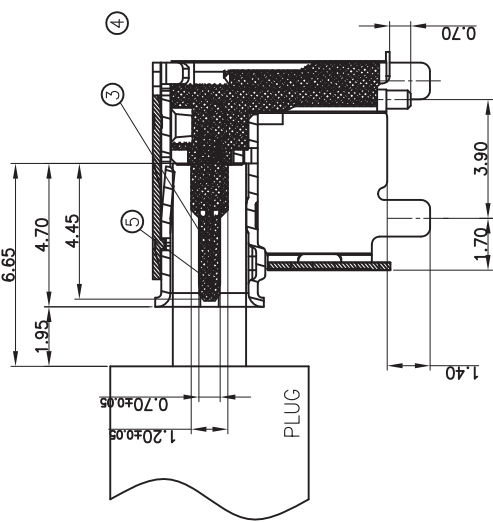




REV.	ECN NO OR DESCRIPTION	REVISED	DATE
A	PROPOSE ONLY	ERIC	2017.03.12
B	修改外壳及拔出力, 满足协会要求	Allen	2019.04.15



RECOMMENDED PCB LAYOUT (THICKNESS: 0.80MM)
PWB TOLERANCE: ±0.05



AFTER MATING
SECTION: A-A

USB TYPE-C PIN ASSIGNMENTS

PIN NUMBER	SIGNAL NAME	PIN NUMBER	SIGNAL NAME
A1	GND	B12	GND
A4	V BUS	B9	V BUS
A5	CC1	B8	SBU2
A6	Dp1	B7	Dn2
A7	Dn1	B6	Dp2
A8	SBU1	B5	CC2
A9	V BUS	B4	V BUS
A12	GND	B1	GND

TACLEX TACLEX ELECTRONICS CO., LTD.

UNLESS OTHERWISE SPECIFIED TOLERANCES

DECIMALS: ANGLES:

X : ±0.5 X : ±2°

X.X : ±0.30 X.X : ±1°

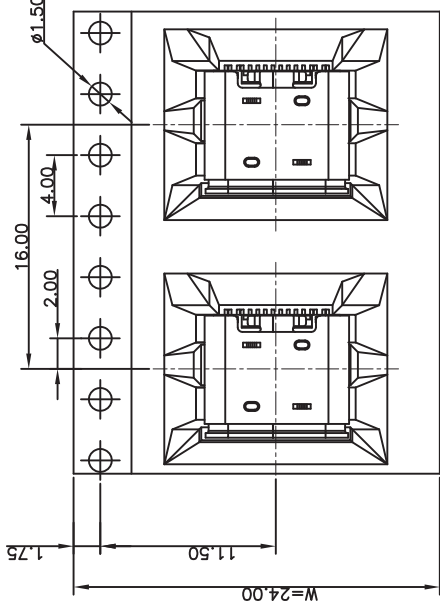
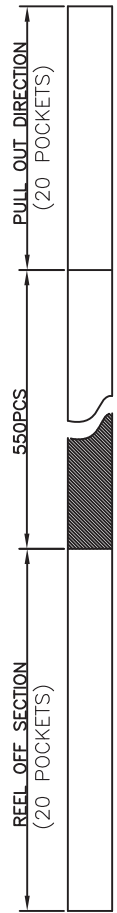
X.XX : ±0.20

X.XXX : ±0.10

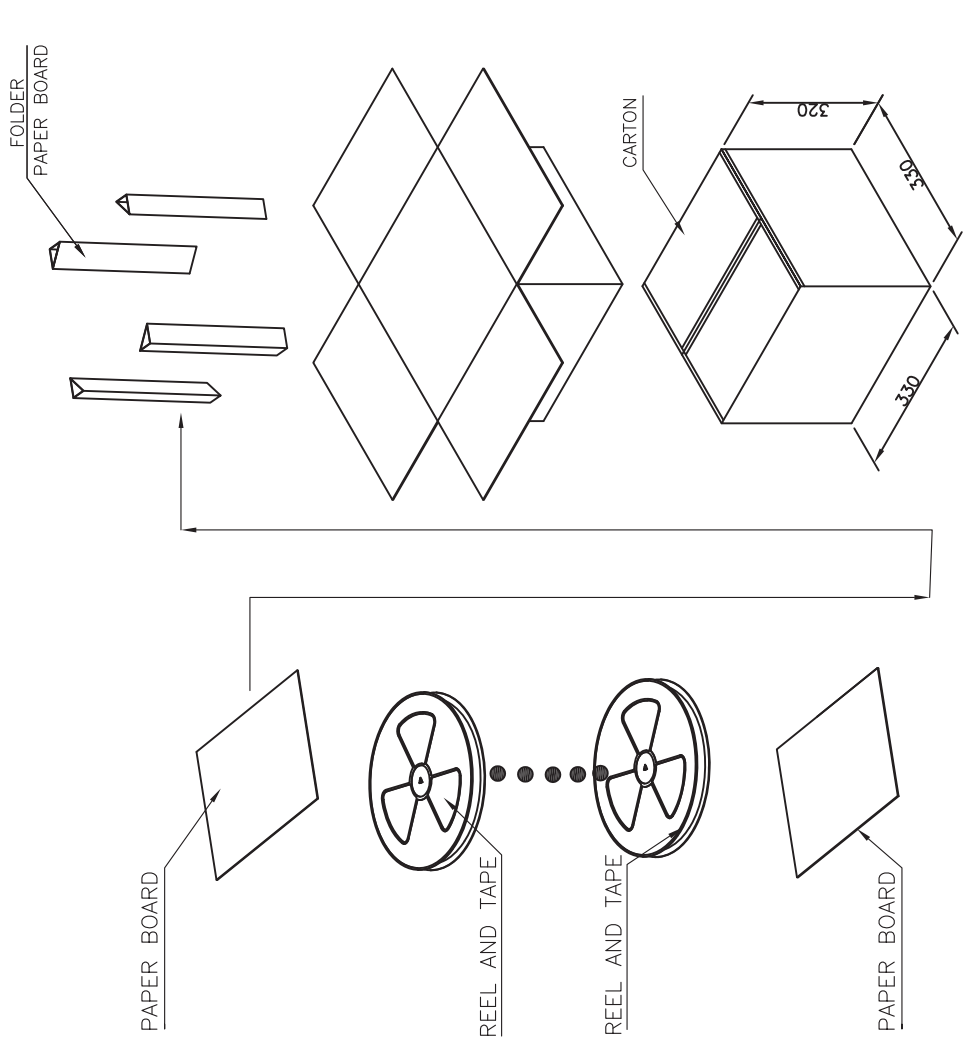
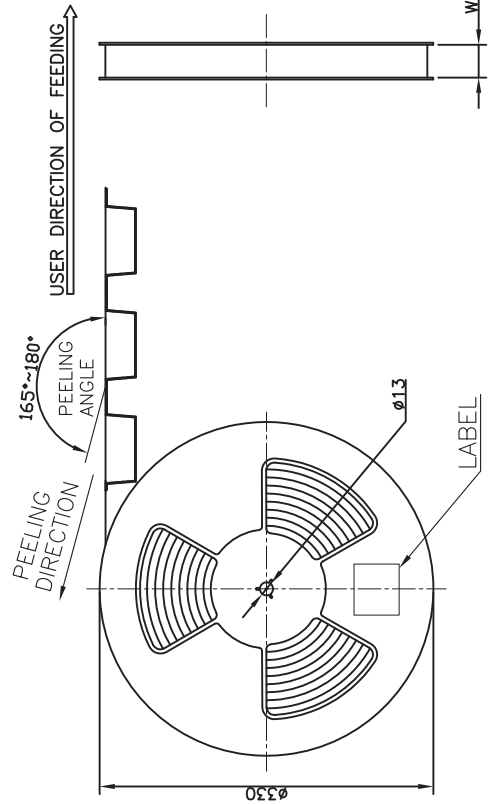
TITLE	Type.C 16PIN CH=5.90MM CONN. RECP/TACLE
DWN	Johnie
CHKD	Kevin.d
APVD	Simon.Mo
PART NO.	TCR45-78111602-01
SCALE:	1:1
UNIT:	mm
SIZE:	A4
SHEET:	10F1
REV:	B
DRAW NO.	C-DWG-TC45-01
CUSTOMER COPY	



REV.	ECN NO OR DESCRIPTION	REVISED	DATE
A	PROPOSE ONLY	ERIC	2017.03.12
B	修改外壳及拔出力, 满足协会要求	Allen	2019.04.15



PRODUCT PACKAGING DIRECTION
CUSTOMER TO USE DIRECTION



CONN. PART NO.	CONN. QTY./REEL	REEL QTY./CARTON	CONN. QTY./CARTON
TCR45-78111602-01	550	10	5500 PCS

UNLESS OTHERWISE SPECIFIED TOLERANCES		TACLEX TACLEX ELECTRONICS CO., LTD.	
DECIMALS:	ANGLES:	TITLE	Type.C 16PIN CH=5.90MM CONN. RECEPTACLE
X :±0.5	X :±2°	DWN	Johnie PART NO. TCR45-78111602-01
X-X :±0.30	X-X :±1°	CHKD	Kevin.d SCALE:1:1 UNIT: mm
X-XX :±0.20		APVD	Simon.Mo SIZE: A4 SHEET:10F1 REV: B
X-XXX :±0.10		DRAW NO. C-DWG-TC45-02 CUSTOMER COPY	