

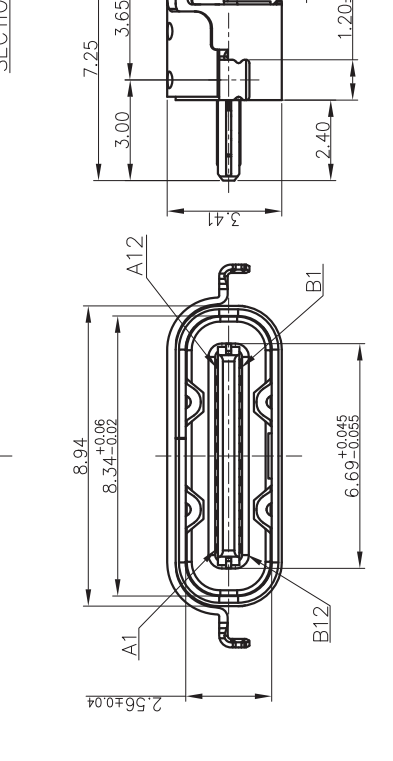
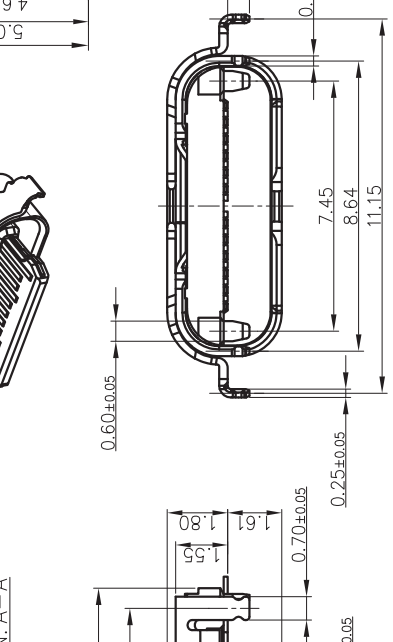
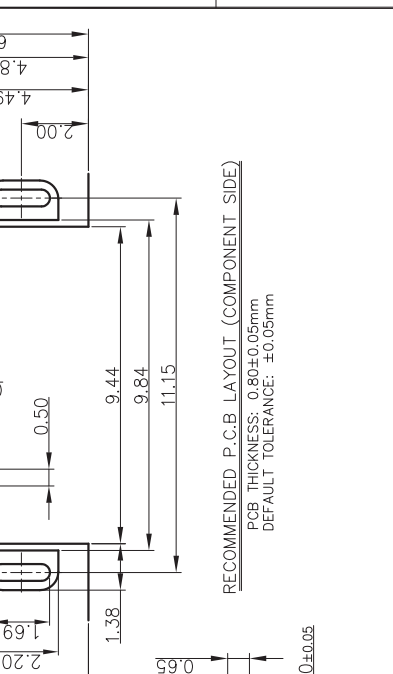
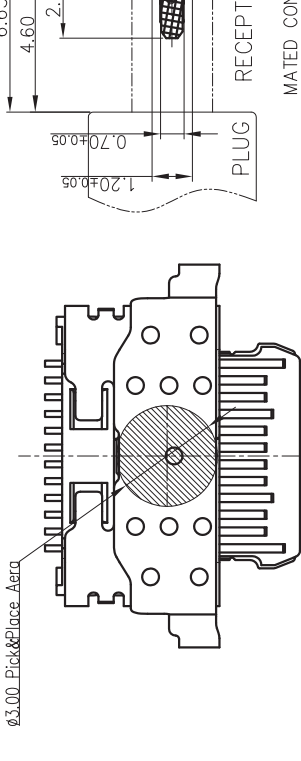
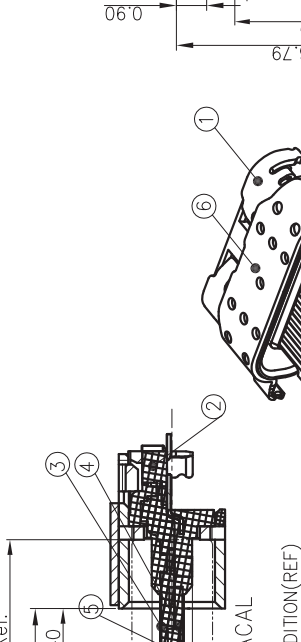
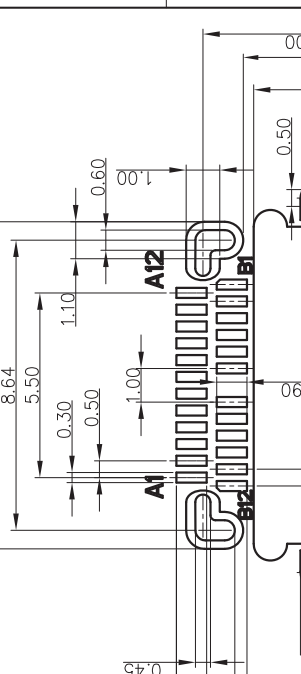


PIN ASSIGNMENTS:

A1	A2	A3	A4	A5	A6	A7	A8	A9	A10	A11	A12
GND	TX1+	TX1-	Vbus	CC1	D+	D-	SBU1	Vbus	RX2-	RX2+	GND
B12	B11	B10	B9	B8	B7	B6	B5	B4	B3	B2	B1
GND	RX1+	RX1-	Vbus	SBU2	D-	D+	CC2	Vbus	TX2-	TX2+	GND

REV.	ECN NO OR DESCRIPTION	REVISED	DATE
A	PROPOSE ONLY	ERIC	2019.03.08

REV. A
ECN NO OR DESCRIPTION PROPOSE ONLY
REVISED ERIC
DATE 2019.03.08



⑥	SHELL-2	1 PCS	STAINLESS STEEL	1.25~2.5 MICRON (50~100u") NICKEL PLATING
⑤	MID PLATE	1 PCS	SUS301-EH	1.25~2.5 MICRON (50~100u") NICKEL PLATING
④	CONTACT B	1 SET	COPPER ALLOY	0.375 MICRON (15u") MIN GOLD PLATING ON CONTACT AER, 0.25~0.075 MICRON (1~3u") MIN NICKEL UNDERPLATING, 1.25~2.5 MICRON (50~100u") NICKEL UNDERPLATING
③	CONTACT A	1 SET	COPPER ALLOY	
②	HOUSING	1 PCS	PA46	COLOR: BLACK
①	SHELL-1	1 PCS	STAINLESS STEEL	1.25~2.5 MICRON (50~100u") NICKEL PLATING
NO.	DESCRIPTION	QTY.	MATERIAL	FINISH

UNLESS OTHERWISE SPECIFIED TOLERANCES

DECIMALS: ANGLES:
X : ±0.5 X : ±2°
X.X : ±0.30 X.X : ±1°
X.XX : ±0.20
X.XXX : ±0.10

⑥ SHELL-2: 1.25~2.5 MICRON (50~100u") NICKEL PLATING
⑤ MID PLATE: SUS301-EH
④ CONTACT B: 0.375 MICRON (15u") MIN GOLD PLATING ON CONTACT AER, 0.25~0.075 MICRON (1~3u") MIN NICKEL UNDERPLATING, 1.25~2.5 MICRON (50~100u") NICKEL UNDERPLATING
③ CONTACT A: COPPER ALLOY
② HOUSING: PA46
① SHELL-1: 1.25~2.5 MICRON (50~100u") NICKEL PLATING

NO. DESCRIPTION QTY. MATERIAL FINISH

COLOR: BLACK

1.25~2.5 MICRON (50~100u") NICKEL PLATING

SPECIFICATION:

- ELECTRICAL CHARACTERISTICS:
 - CURRENT RATING: 1.5A/Pin MAX (A4, A9, B4, B9)
1.25A/Pin MAX (A1, A12, B1, B2), 0.25A (OTHER PIN)
 - CONTACT RESISTANCE: 40 MILLIONHM MAX.
 - DIELECTRIC WITHSTANDING VOLTAGE: 100 VAC r.m.s
 - INSULATION RESISTANCE: 100 MEGOHMS MIN.
- MECHANICAL CHARACTERISTICS
 - INSERTION FORCE: 5~20N
 - EXTRACTION FORCE: Initial: 8~20N; Durability: 6~20N (1000cycles);
 - DURABILITY: 10,000CYCLES
 - ENVIRONMENTAL CHARACTERISTICS
 - TEMPERATURE RANGE: -40 °C ~ 85 °C
 - IR REFLOW:

THE PEAK TEMPERATURE ON THE BOARD SHALL BE MAINTAINED FOR 10 SECONDS AT 260°C.

4.PART NO.:

TITLE		Type.C 24PIN Dull SMT CONN. RECEPTACLE	
DWN	chenjun	PART NO.	TCR55-18122405-51
CHKD	chenjun	SCALE:	1:1
APVD	Kevin.d	UNIT:	mm
REV.	A	SHEET:	10F1
DRAW NO.	C-DWG-TCR55-02	CUSTOMER COPY	

TACLEX ELECTRONICS CO., LTD.

UNLESS OTHERWISE SPECIFIED TOLERANCES

DECIMALS: ANGLES:
X : ±0.5 X : ±2°
X.X : ±0.30 X.X : ±1°
X.XX : ±0.20
X.XXX : ±0.10

⑥ SHELL-2: 1.25~2.5 MICRON (50~100u") NICKEL PLATING
⑤ MID PLATE: SUS301-EH
④ CONTACT B: 0.375 MICRON (15u") MIN GOLD PLATING ON CONTACT AER, 0.25~0.075 MICRON (1~3u") MIN NICKEL UNDERPLATING, 1.25~2.5 MICRON (50~100u") NICKEL UNDERPLATING
③ CONTACT A: COPPER ALLOY
② HOUSING: PA46
① SHELL-1: 1.25~2.5 MICRON (50~100u") NICKEL PLATING

NO. DESCRIPTION QTY. MATERIAL FINISH

COLOR: BLACK

1.25~2.5 MICRON (50~100u") NICKEL PLATING

TCR55-18122405-51

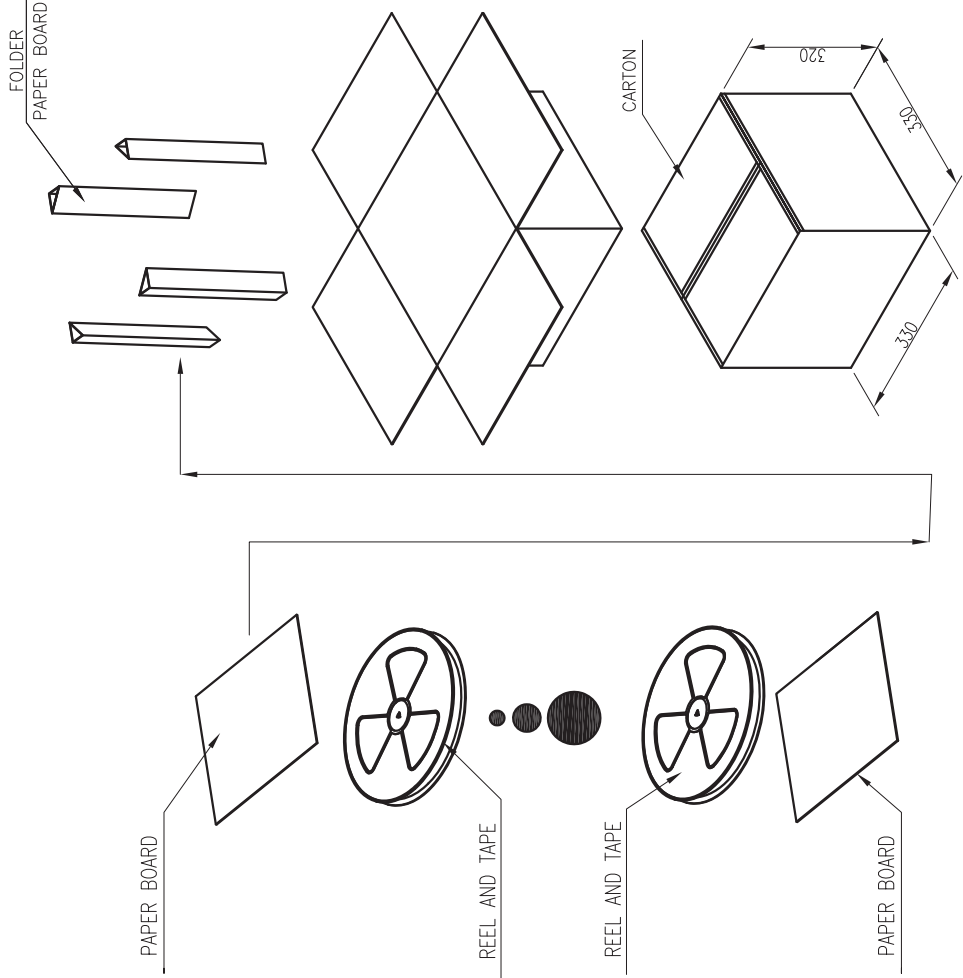
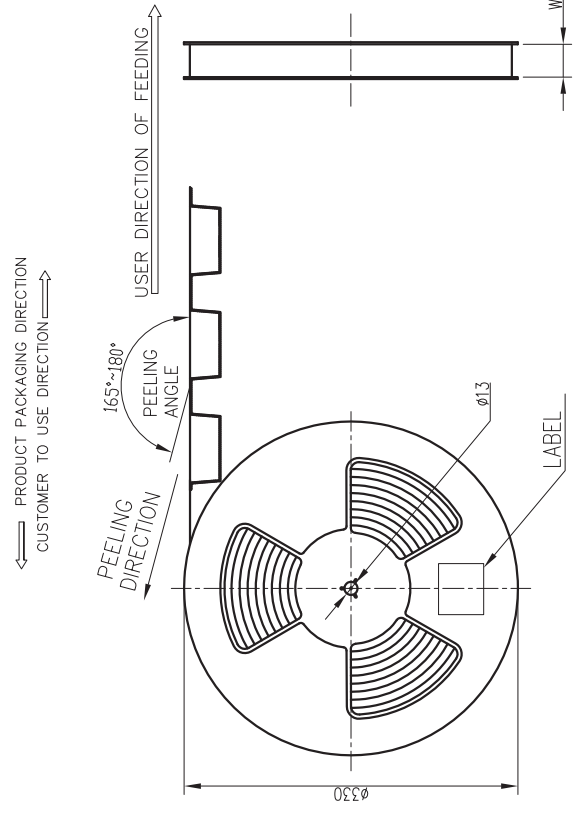
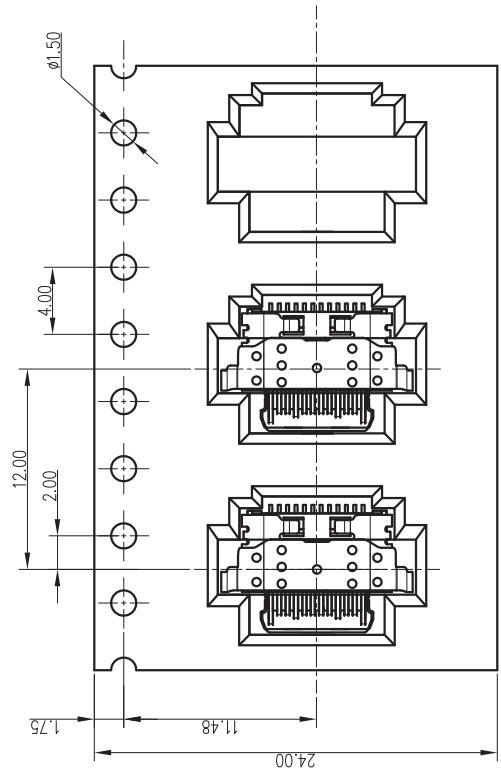
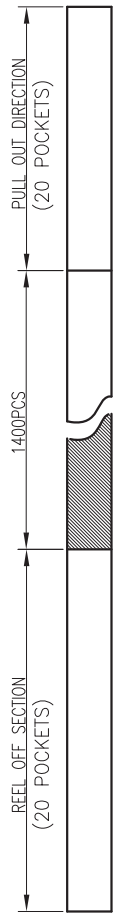
IC=TYPE.C CONN.
R=RECEPTACLE
Product Order

18: HEIGHT ON BOARD 1.8mm
1=BLACK HOUSING
2=WITH-OUT POST

51= Services NO.
05=15u" Au Plating On Contact Aera
Pin No. 24=24Pin



1	2	3	4	5	6
REV. A	EON NO OR DESCRIPTION PROPOSE ONLY	REVISD ERIC	DATE 2019.03.08		



CONN. PART NO.	CONN. QTY./REEL	REEL QTY./CARTON	CONN. QTY./CARTON
TCR55-18122405-51	1400	10	14000 PCS

UNLESS OTHERWISE SPECIFIED TOLERANCES

DECIMALS:	ANGLES:
X : ±0.5	X : ±2°
X.X : ±0.30	X.X : ±1°
X.XX : ±0.20	
X.XXX : ±0.10	



TACLEX ELECTRONICS CO., LTD.

TITLE	Type.C 24PIN Dull SMT	CONN. RECEPTACLE
DWN	chen.jun	PART NO. TCR55-18122405-51
CHKD	chen.jun	SCALE: 1:1
APVD	Kevin.d	UNIT: mm
		SIZE: A4
		SHEET: 10F1
		REV: A
		DRAW NO. C-DWG-TCR55-02
		CUSTOMER COPY