





RECOMMENDED OPENING DIMENSIONS  
OF CASE MATING AREA WITH  
SEALING RING

A

1

2

3

4

5

6

A

B

C

D

6

DATE

REV.

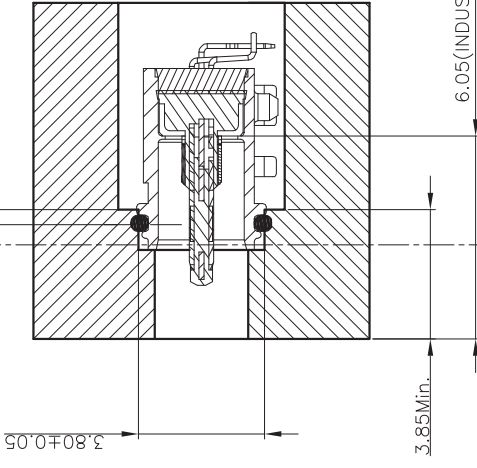
ECN NO. OR DESCRIPTION

PROPOSE ONLY

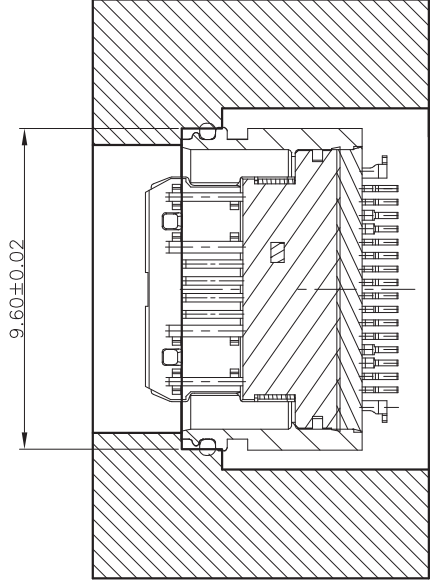
REVISED

ERIC

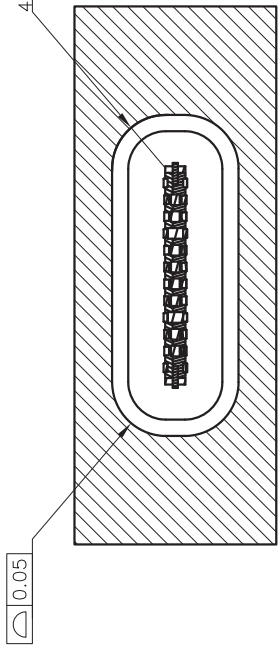
2019.06.15



SECTION X-X  
SCALE: 5:1



SECTION Y-Y  
SCALE: 5:1



SECTION Z-L  
SCALE: 5:1

UNLESS OTHERWISE SPECIFIED TOLERANCES

DECIMALS:	ANGLES:
X : ±0.5	X : ±2°
X.X : ±0.30	X.X : ±1°
X.XX : ±0.20	
X.XXX : ±0.10	



TACLEX ELECTRONICS CO., LTD.

TITLE	Type.C	16PIN	SMT	CONN.	WATERPROOF	IPX7
DWN	chenjun	PART NO.	TWR11-33111604-11			
CHKD	chenjun	SCALE:	1:1	UNIT:	mm	
APVD	Kevin.d	SIZE:	A4	SHEET:	10F1	REV: A
DRAW NO. C-DWG-TWR11-01						CUSTOMER COPY

1

2

3

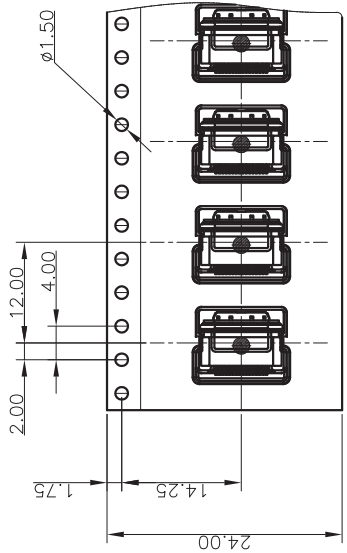
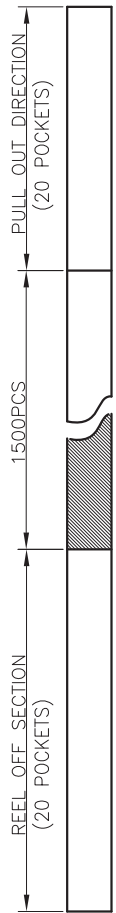
4

5

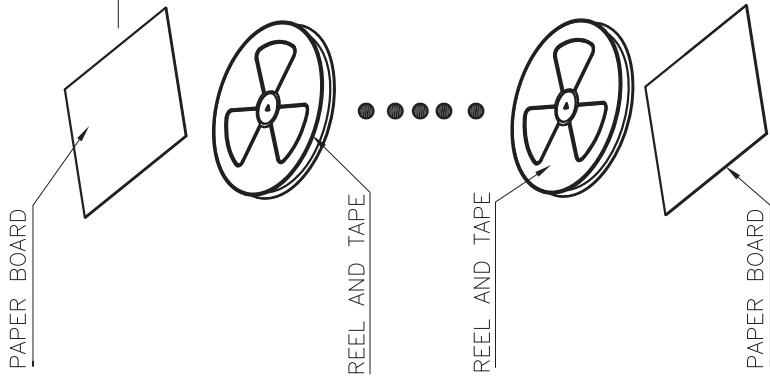
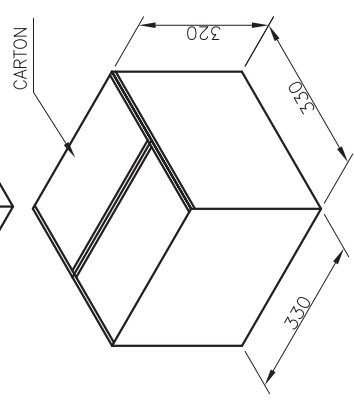
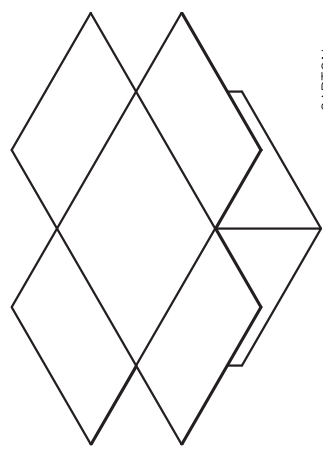
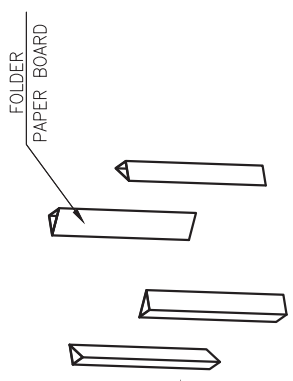
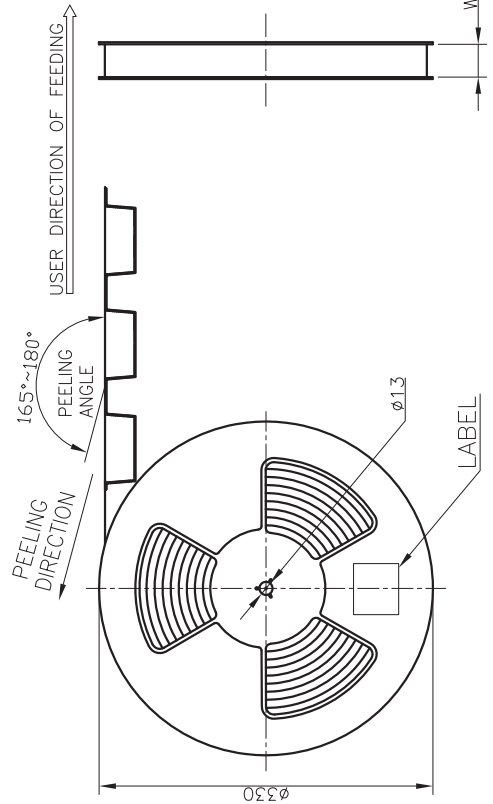
6



REV. A	ECN NO OR DESCRIPTION PROPOSE ONLY	REVISED ERIC	DATE 2019.06.15
--------	------------------------------------	--------------	-----------------



PRODUCT PACKAGING DIRECTION  
CUSTOMER TO USE DIRECTION



CONN. PART NO.	CONN. QTY./REEL	REEL QTY./CARTON	CONN. QTY./CARTON
TWR11-33111604-11	1500	10	15000 PCS

UNLESS OTHERWISE SPECIFIED TOLERANCES

DECIMALS:	ANGLES:
X : ±0.5	X : ±2°
X.X : ±0.30	X.X : ±1°
X.XX : ±0.20	
X.XXX : ±0.10	

<b>TACLEX ELECTRONICS CO., LTD.</b>			
TITLE	Type.C 16PIN SMT	CONN. WATERPROOF	IPX7
DWN	cherjun	PART NO.	TWR11-33111604-11
CHKD	cherjun	SCALE: 1:1	UNIT: mm
APVD	Kevin.d	SIZE: A4	SHEET: 10F1
DRAW NO. C-DWG-TWR11-01		CUSTOMER COPY	