

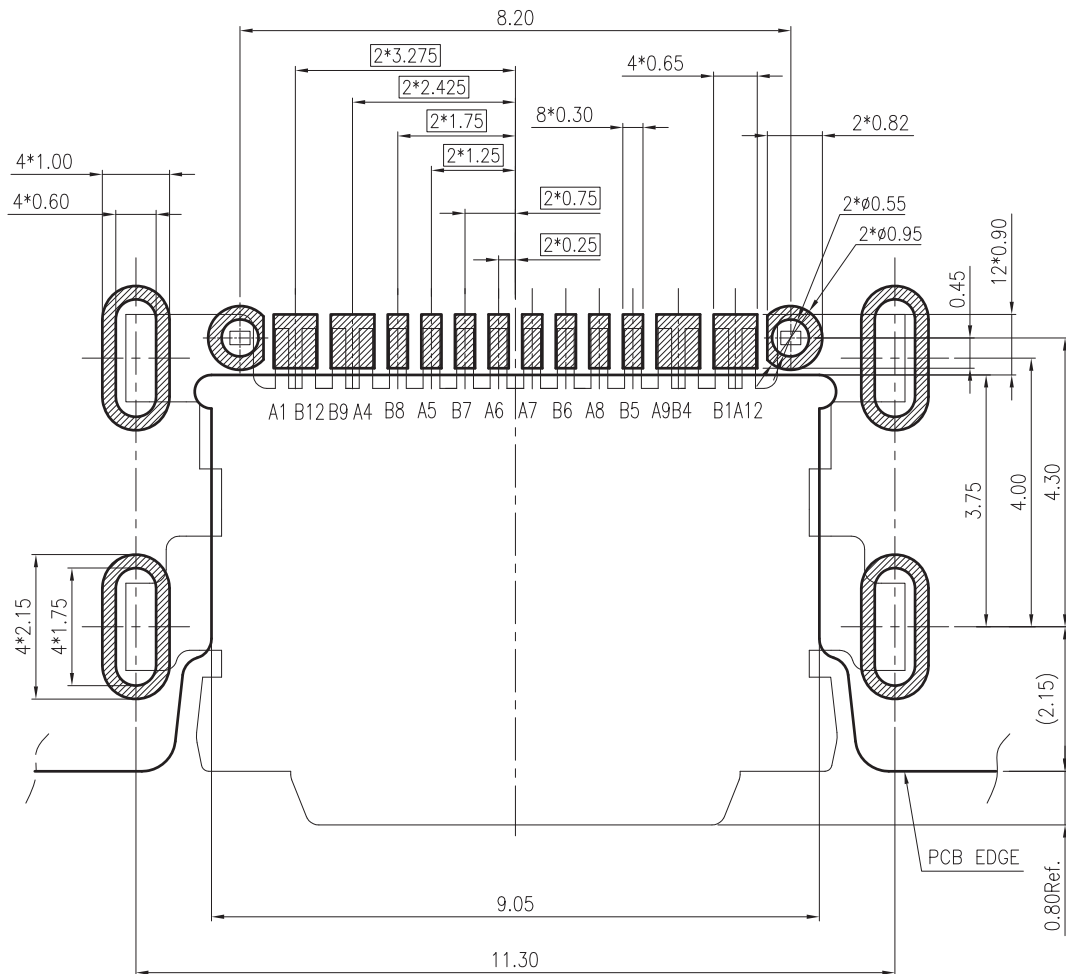
⑧	GLUE	1	SILICONE	Black
⑦	O-RING	1	SILICONE	Black
⑥	SOLDER-PLATE	1	SUS304	CLEAN
⑤	MID PLATED	1	SUS301	CLEAN
④	CONTACT	1	Copper Alloy (C7025)	30~80u" Ni plating on the soldering area 3u"Au plating on contact area 1u"Au plating on soldering area
③	I/M HOUSING	1	PA10T	Black
②	OUTER SHELL	1	SUS304	50u"Min Ni plating over all
①	INNER SHELL	1	SUS316L	50u"Min Ni plating over all
Item	PART NAME	QTY	Material	Treatment

UNLESS OTHERWISE SPECIFIED TOLERANCES					
DECIMALS:	ANGLES:	TITLE Type.C 16PIN CHO.35mm Waterproof CONN.			
X :±0.5	X :±2'	DWN	chenjun	PART NO. TWR12-22121602-11	
X.X :±0.30	X.X :±1'	CHKD	chenjun	SCALE:1:1	UNIT: mm
X.XX :±0.20		APVD	Kevin.d	SIZE: A4	SHEET:10F2
X.XXX :±0.10		DRAW NO. C-DWG-TWR12-01		CUSTOMER COPY	



PIN ASSIGNMENTS:

A1	A2	A3	A4	A5	A6	A7	A8	A9	A10	A11	A12
GND	TX1+	TX1-	VBus	CC1	D+	D-	SBU1	VBus	RX2-	RX2+	GND
B12	B11	B10	B9	B8	B7	B6	B5	B4	B3	B2	B1
GND	RX1+	RX1-	VBus	SBU2	D-	D+	CC2	VBus	TX2-	TX2+	GND



RECOMMENDED P.C.B LAYOUT (COMPONENT SIDE)

DEFAULT TOLERANCE: ±0.05mm

(建议使用刷Sn钢板厚度0.12mm)

REV.	ECN NO OR DESCRIPTION	REVISED	DATE
A0	FIRST RELEASE	ERIC	2019.06.08

SPECIFICATION:

1.ELECTRICAL CHARACTERISTICS:

- 1.1 CURRENT RATING: Vbus 5A, Vconn Pin 1.25A All Other pins:0.25A.
- 1.2 CONTACT RESISTANCE: 40 MILLIONHM MAX.
- 1.3 DIELECTRIC WITHSTANDING VOLTAGE: 100 VAC r.m.s
- 1.4 INSULATION RESISTNACE: 100 MEGOHMS MIN.

2.MECHANICAL CHARACTERISTICS

- 2.1 INSERTION FORCE: Initial:5~20N;Durability:5~20N(10000cycles);
- 2.2 EXTRACTION FORCE: Initial:8~20N;Durability:6~20N(10000cycles);
- 2.3 DURABILITY:10000 CYCLES

3.ENVIRONMENTAL CHARACTERISTICS

- 3.1 TEMPERATURE RANGE: -40 °C ~ 85 °C
- 3.2. IR REFLOW:

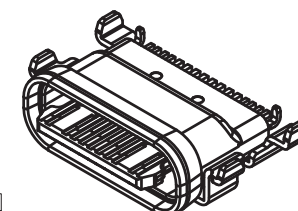
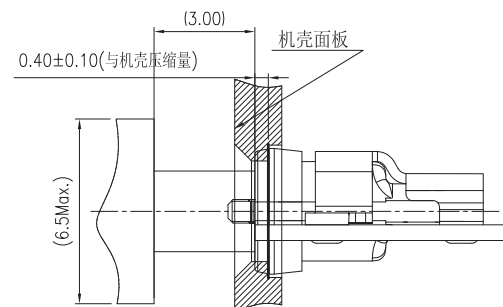
THE PEAK TEMPERATURE ON THE BOARD SHALL BE MAINTAINED FOR 10 SECONDS AT 260°C.



4. P/N ORDER

TWR12-22 1 2 16 02-11
PRODUCT ORDER

- On Board Hight/22=2.2mm
- COLOUR/1=BLACK HOUSING
- POST/2=WithoutDull Post
- Pin Number./16=16Pin
- Plating/02=Au3u"
- Servies Number.



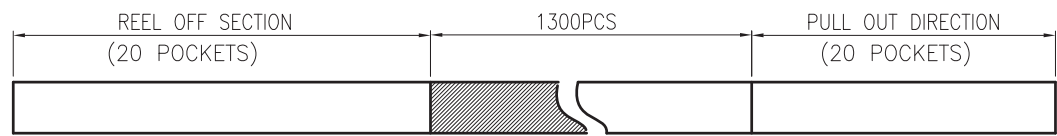
UNLESS OTHERWISE SPECIFIED TOLERANCES



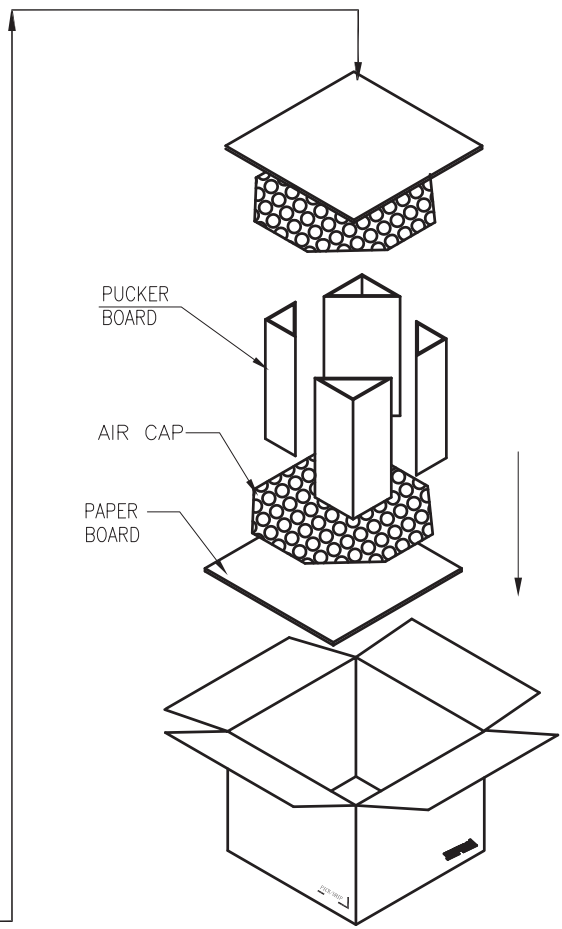
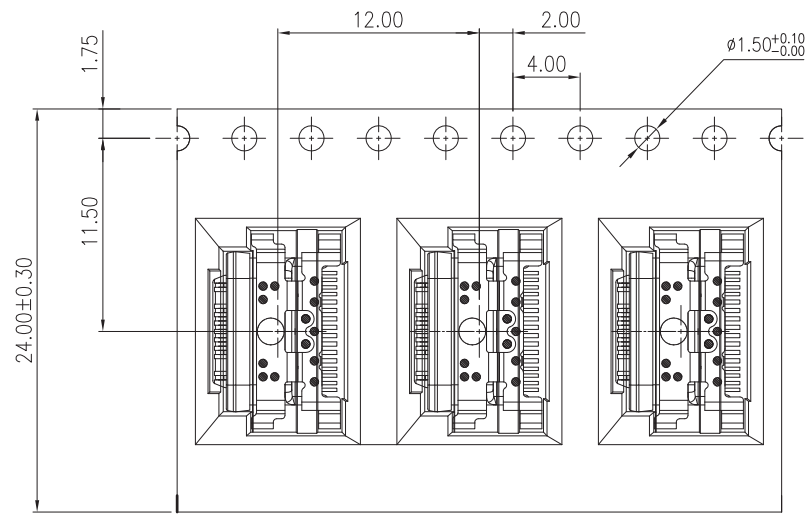
DECIMALS:	ANGLES:	TITLE	Type.C 16PIN CH0.35mm Waterproof CONN.		
X :±0.5	X :±2'	DWN	chenjun	PART NO. TWR12-22121602-11	
X.X :±0.30	X.X :±1'	CHKD	chenjun	SCALE:1:1	UNIT: mm
X.XX :±0.20		APVD	Kevin.d	SIZE: A4	SHEET:20F2
X.XXX :±0.10		DRAW NO.	C-DWG-TWR12-01	CUSTOMER COPY	REV: A0



REV.	ECN NO OR DESCRIPTION	REVISED	DATE
A0	FIRST RELEASE	ERIC	2019.06.08

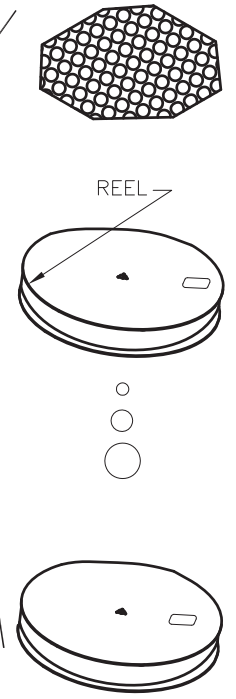
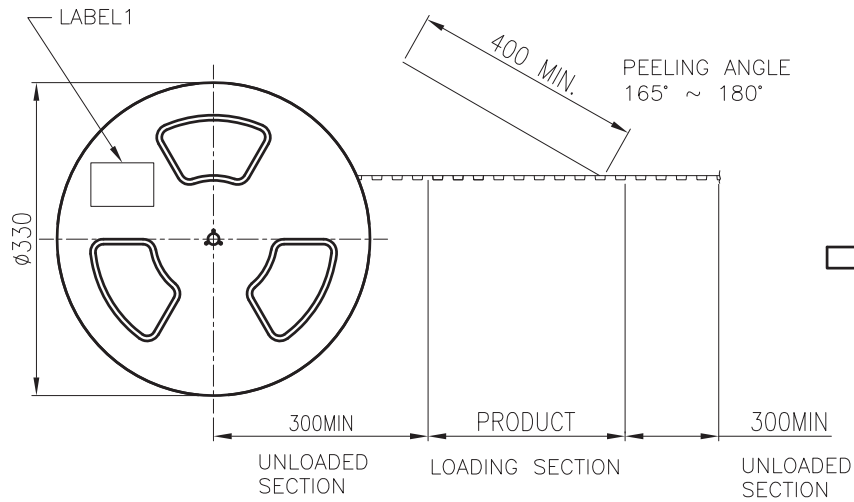


CONN. PART NO.	CONN. QTY./REEL	REEL QTY./CARTON	CONN. QTY./CARTON
TWR15-25111602-T1	1300	10	13000 PCS



CUSTOMER TO USE DIRECTION ← → PULL OUT DIRECTION (出料方向) →

TOTAL 10LAYERS



UNLESS OTHERWISE SPECIFIED TOLERANCES		TACLEX ELECTRONICS CO., LTD.			
DECIMALS:	ANGLES:	TITLE	Type.C 16PIN CH0.35mm Waterproof CONN.		
X :±0.5	X :±2'	DWN	chenjun	PART NO. TWR12-22121602-11	
X.X :±0.30	X.X :±1'	CHKD	chenjun	SCALE:1:1	UNIT: mm
X.XX :±0.20		APVD	Kevin.d	SIZE: A4	SHEET:10F1
X.XXX :±0.10		DRAW NO. C-DWG-TWR12-01		SHEET:10F1	REV: A0
				CUSTOMER COPY	