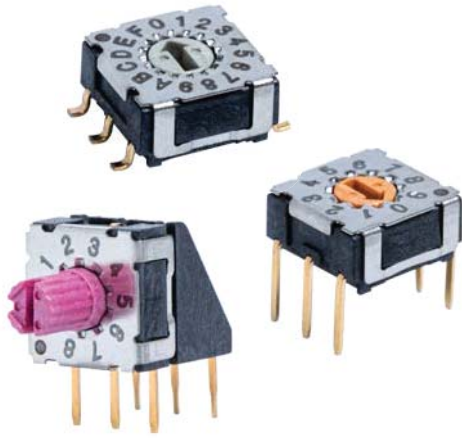


# MINI ROTARY DIP SWITCH 7.4x7.4 Size, Height: 3.65mm

MS  
MA  
MD  
Series

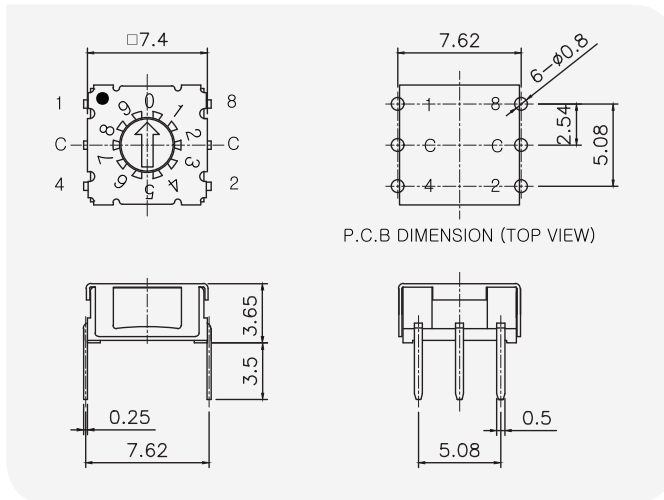


## General Specification

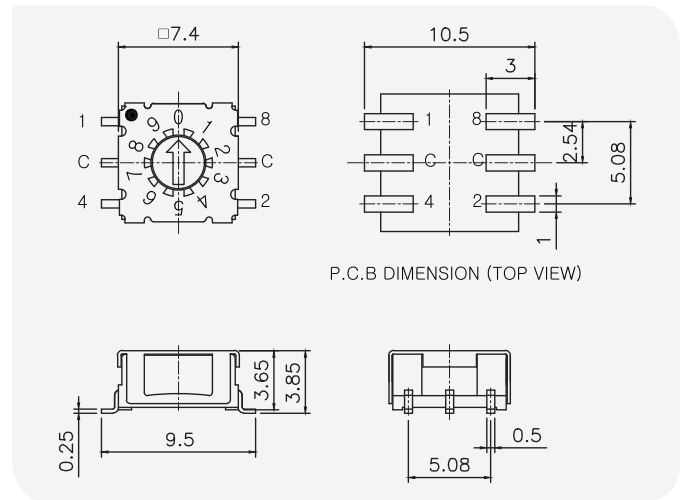
1. **Rating :** 100mA, DC 42V (Switching)  
400mA, DC 42V (None-Switching)
2. **Contact Resistance :** 80mΩ Max.
3. **Insulation Resistance :** 100MΩ Min at DC 250V
4. **Operating Force :** 120±30gf Max.
5. **Life Cycle :** 25,000 steps
6. **Sealing :** IP67 (Dust & Water proof)

## GENERAL DIMENSION

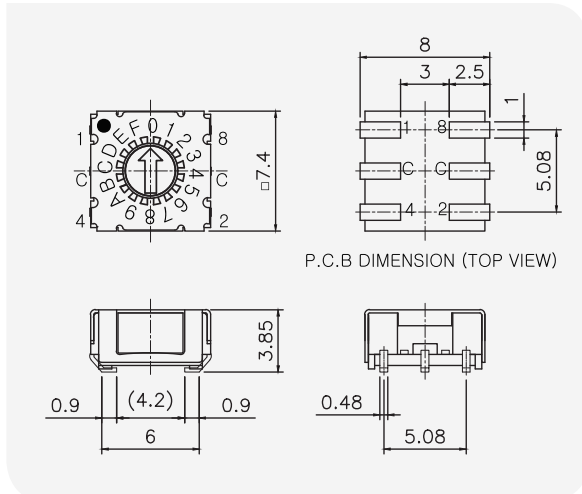
### Through Hole Type Layout



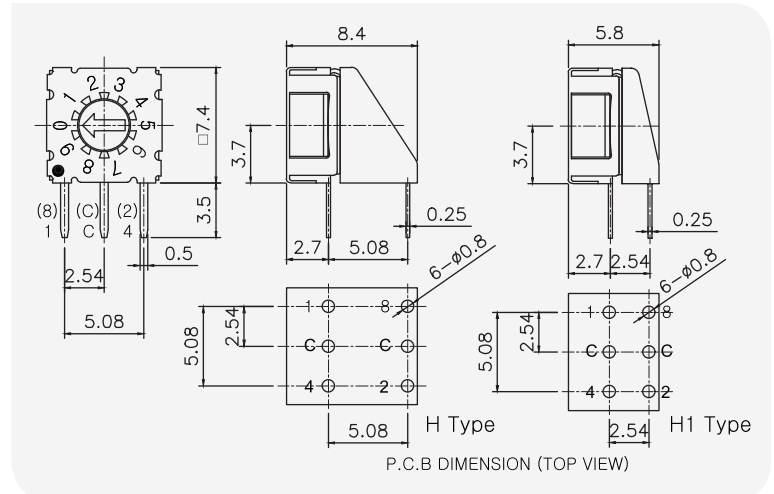
### SMD Gull Wing Type Layout



### SMD - J Hook Type Layout



### Angle Type Layout (H:5.08mm, H1:2.54mm)



# MINI ROTARY DIP SWITCH 7.4x7.4 Size, Height: 3.65mm

## HOW TO ORDER

**MS**

**Type**

**MS** Position of printed No.0 (0°)  
Ter' Circuit (1-C-4 / 8-C-2)  
**MA** Position of printed No.0 (-90°)  
Ter' Circuit (1-C-4 / 8-C-2)  
**MD** Position of printed No.0 (-90°)  
Ter' Circuit (1-C-2 / 4-C-8)  
H Type (+90°)

**D**

**Actuator**

**D** Arrow  
(Height = 0mm)  
**S** Spindle  
(Height = 4.5mm)  
**K** Slotted spindle  
(Height = 4.2mm)  
**G** Slotted spindle  
(Height = 1mm)

**R**

**Code**

**R** Real Code  
**C** Complement Code  
**G** Gray Code  
**M** Slotted spindle  
(Height = 3mm)  
\*Other codes are available upon the request.

—

**10**

**Position**

**04** 4 Position  
**10** 10 Position  
**16** 16 Position

**S**

**Terminal**

- Through-Hole (Ter' 3x3)  
**C** Through-Hole (Ter' 3x2)  
**S** SMD Gull Wing (Ter' 3x3)  
**SC** SMD Gull Wing (Ter' 3x2)  
**J** J - Hook SMD (Ter' 3x3)  
**JC** J - Hook SMD (Ter' 3x2)  
**H** Right Angle 5.08mm  
**H1** Right Angle 2.54mm

**TR**

**Packing**

- Tube Packing  
**TR** Reel Packing

## 1. Type

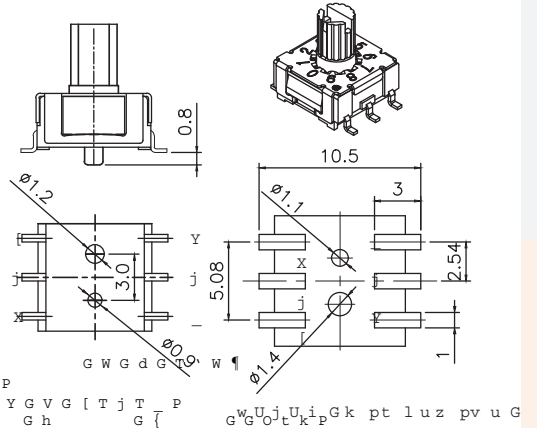
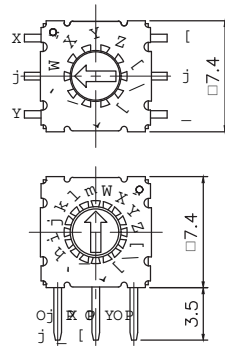
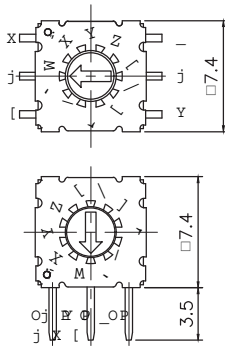
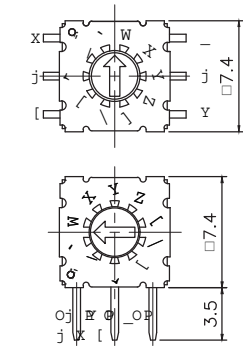
**MS**

**MS** Type

**MA** Type

**MD** Type

**MSKR-10S-2** Type



## 2. Actuators

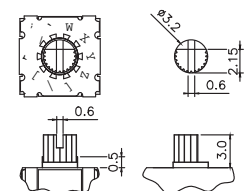
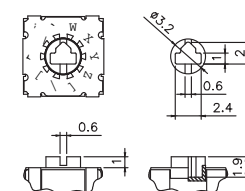
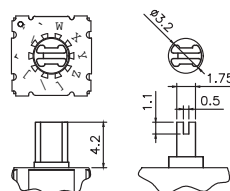
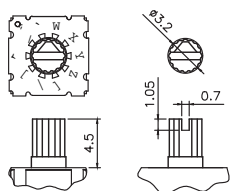
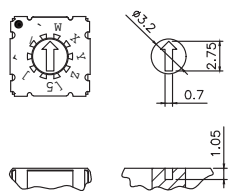
**D** Arrow (Height = 0mm)

**S** Spindle (Height = 4.5mm)

**K** Slotted Spindle (Height = 4.2mm)

**G** Slotted Spindle (Height = 1mm)

**M** Slotted Spindle (Height = 3mm)



# MINI ROTARY DIP SWITCH 7.4x7.4 Size, Height: 3.65mm

## 3. Code & Position



### R Real Code

16 Position		Real Code					10 Position	
		C	1	2	4	8		
0							0	
1							1	
2							2	
3							3	
4							4	
5							5	
6							6	
7							7	
8							8	
9							9	
10							A	
11							B	
12							C	
13							D	
14							E	
15							F	

### C Complement Code

16 Position		Complement Code					10 Position	
		C	1	2	4	8		
0							0	
1							1	
2							2	
3							3	
4							4	
5							5	
6							6	
7							7	
8							8	
9							9	
10							A	
11							B	
12							C	
13							D	
14							E	
15							F	

### G Gray Code

10 Position		Gray Code					16 Position	
		C	1	2	4	8		
0							0	
1							1	
2							2	
3							3	
4							4	
5							5	
6							6	
7							7	
8							8	
9							9	

### M

04 Position		Decimal Code				(Top View)	
		C	0	1	2	3	
0							1 2
1							C C
2							0 3
3							

Only MS Type

### N

04 Position		Decimal Code				(Top View)	
		C	1	2	3	4	
1							1 4
2							C C
3							2
4							3 4

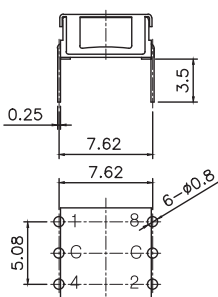
Only MS Type

\* Other special codes are available upon the request.

## 4. Terminal

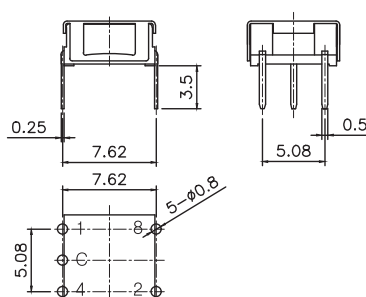


### Through-Hole (Ter' 3x3)



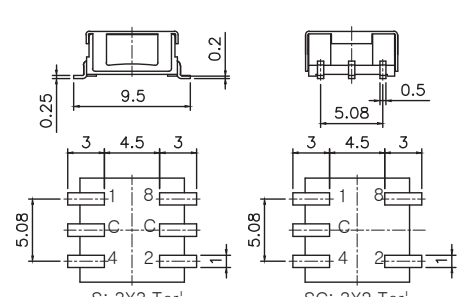
P.C.B DIMENSION (TOP VIEW)

### Through-Hole (Ter' 3x2)



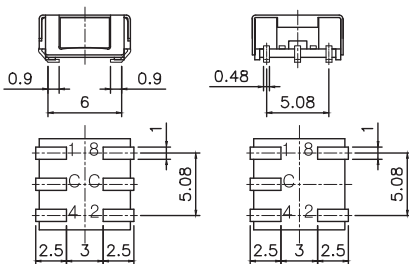
P.C.B DIMENSION (TOP VIEW)

### S/SC SMD Type (Ter' 3x3, Ter' 3x2)



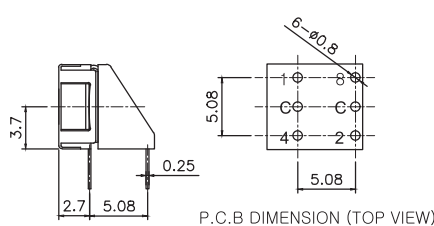
P.C.B DIMENSION (TOP VIEW)

### J/JC J - Hook SMD (Ter' 3x3, Ter' 3x2)



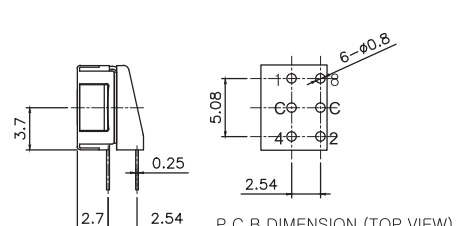
P.C.B DIMENSION (TOP VIEW)

### H Angle Type 5.08mm (Ter' 3x3)



P.C.B DIMENSION (TOP VIEW)

### H1 Angle Type 2.54mm (Ter' 3x3)



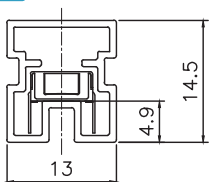
P.C.B DIMENSION (TOP VIEW)

## 5. Packing

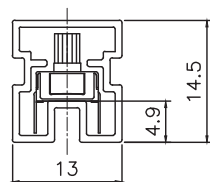


### Tube Packing (Q'ty: 70 pcs / Tube) & (Q'ty: 65 pcs / Angle Type Tube)

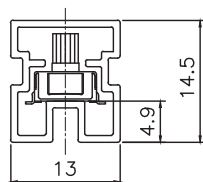
### TR



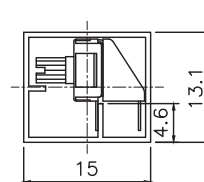
D Type Actuator



S, K Type Actuator



SMD & J - Hook Type



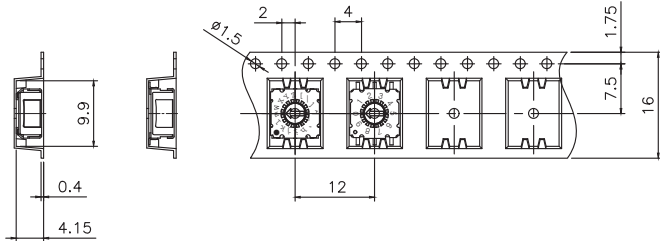
Angle Type (H, H1)

Reel Packing  
(See Page 17)

# MINI ROTARY DIP SWITCH 7.4x7.4 Size, Height: 3.65mm Tape & Reel Packing

1. 'D' Type Actuator with SMD / J Terminal

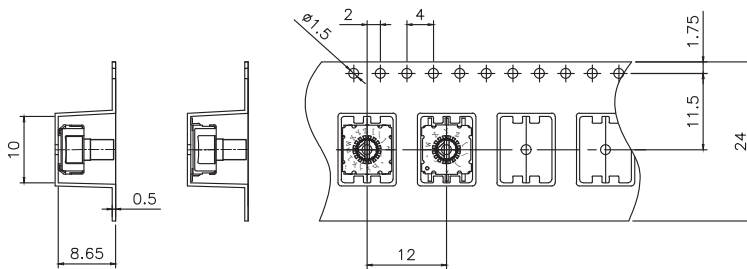
(MSDR-S)  
(MSDR-J)



Units(pcs)
1,300

2. 'S' & 'K' Type Actuator with SMD / J Terminal

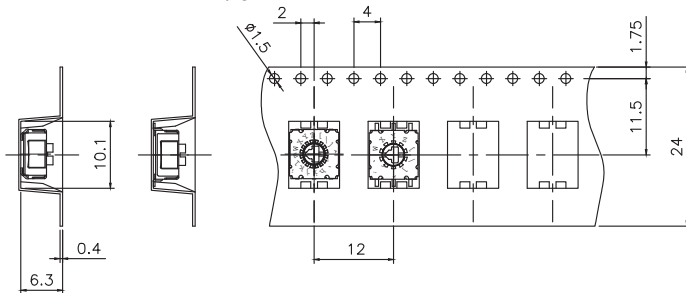
(MSSR-S)  
(MSSR-J)  
(MSKR-S)  
(MSKR-J)



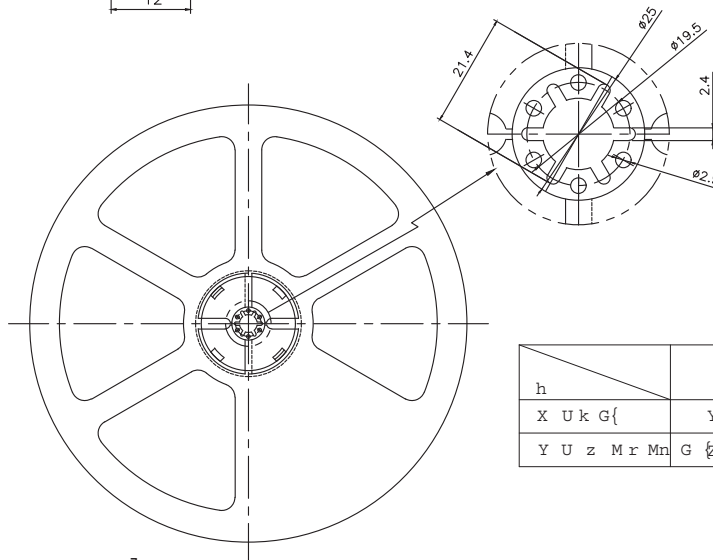
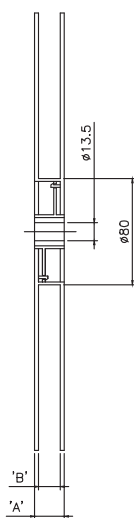
Units(pcs)
600

3. 'G' Type Actuator with SMD Terminal / J Terminal

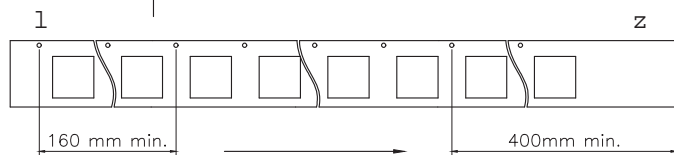
(MSGR-S)  
(MSGR-J)



Units(pcs)
800



h		hi	
X U k G {	Y Y	U [X ]	U [
Y U z M r Mn	G Z WU [	Y [U [	



l Gz k h G G z