

ROTARY DIP SWITCH 10x10 Size, Height: 4.5mm, 4x1 Terminal

NEW

**H
HA**
Series

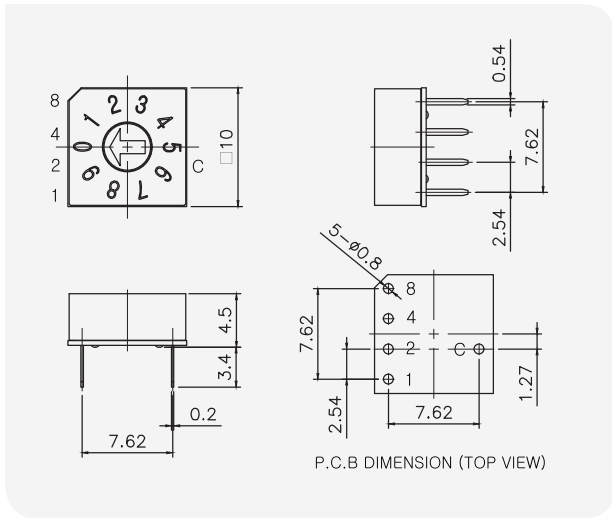


General Specification

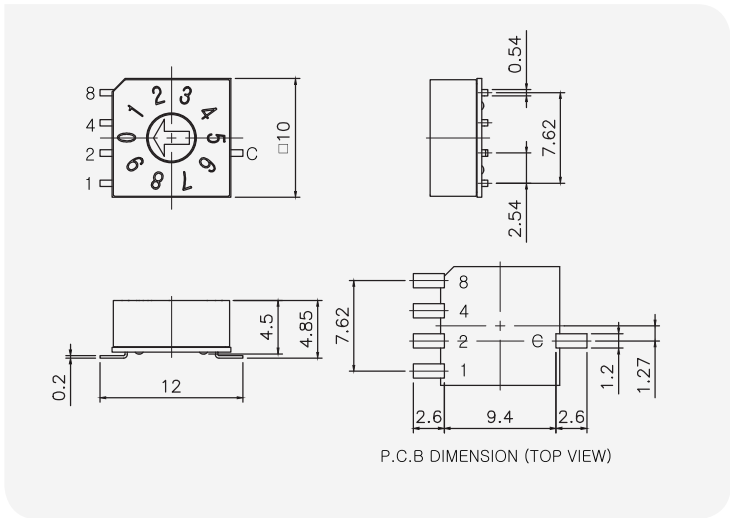
- 1. Rating :** 25mA, 12V DC (Switching)
25mA, 24V DC (None-Switching)
- 2. Contact Resistance :** 100mΩ Max.
- 3. Insulation Resistance :** 100MΩ Min at DC 250V
- 4. Operating Force :** 700gf Max.
- 5. Life Cycle :** 10,000 steps
- 6. Sealing :** IP67 (Dust & Water proof)

GENERAL DIMENSION

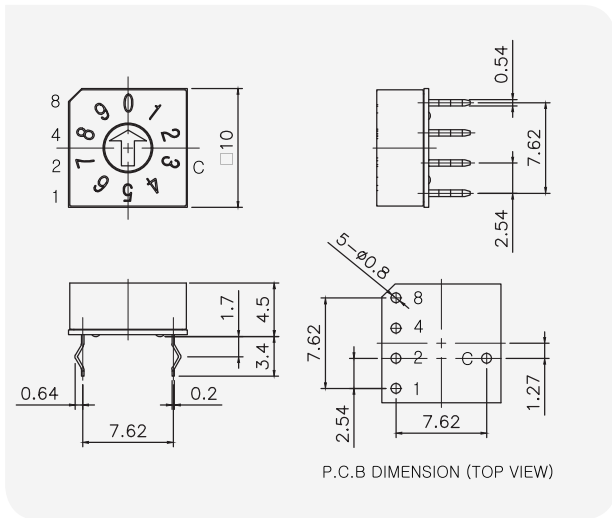
Through Hole Type Layout



SMD Gull Wing Type Layout



Climped Type Layout



ROTARY DIP SWITCH 10x10 Size, Height : 4.5mm, 4x1 Terminal

HOW TO ORDER

H

Cover Type

H Square (Ter' 4x1)
Position of Number
0 = 0°
HA Square (Ter' 4x1)
Position of
Number 0 = -90°

D

Actuator

D Arrow (Height = 0mm)
E Cross (Height = 0mm)
M Slotted spindle
(Height = 3.2mm)
S Slotted spindle
(Height = 7.3mm)

R

Code

R Real Code
C Complement Code
G Gray Code
*Other special codes
are available
upon the request.

10

Position

04 4 Position
06 6 Position
08 8 Position
10 10 Position
16 16 Position

S

Terminal

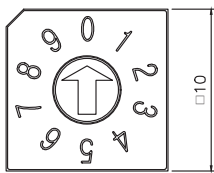
- Through-Hole (Ter' 4x1)
S SMD Gull Wing (Ter' 4x1)
K Crimped

TR

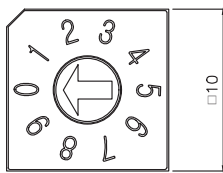
Packing

- Tube Packing
TR Reel Packing

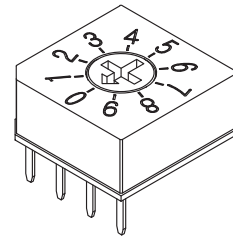
1. Cover Type



o G {



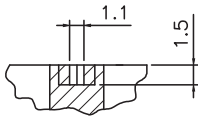
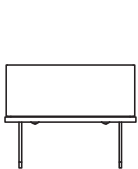
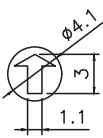
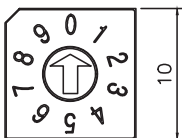
o h G {



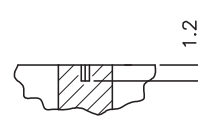
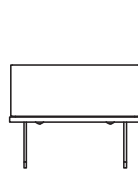
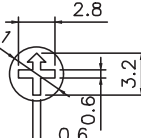
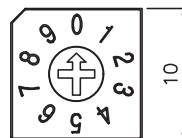
2. Actuator



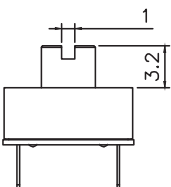
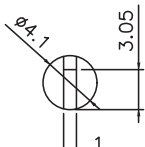
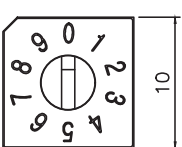
D Arrow (Height = 0mm)



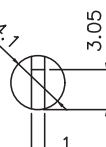
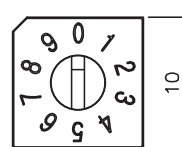
E Cross (Height = 0mm)



M Slotted Spindle (Height = 3.2mm)



S Slotted spindle (Height = 7.3mm)



ROTARY DIP SWITCH 10x10 Size, Height: 4.5mm, 4x1 Terminal

3. Code & Position



R Real Code

Position	Real Code				Position
	C	1	2	4 8	
0					0
1					1
2					2
3					3
4					4
5					5
6					6
7					7
8					8
9					9
10					A
11					B
12					C
13					D
14					E
15					F

04/06/08/10/16 POSITION

C Complement Code

Position	Complement Code				Position
	C	1	2	4 8	
0					0
1					1
2					2
3					3
4					4
5					5
6					6
7					7
8					8
9					9
10					A
11					B
12					C
13					D
14					E
15					F

04/06/08/10/16 POSITION

S Decimal Code

Position	Decimal Code			
	C	1	2	3 4
1				
2				
3				
4				

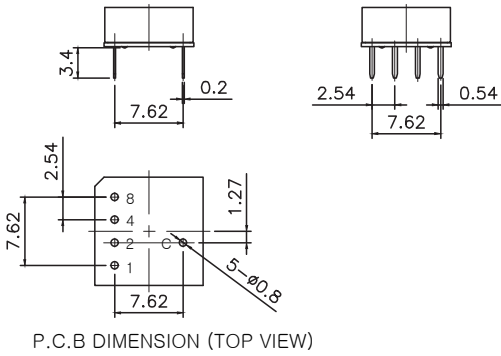
04 POSITION

* Special Codes are available upon the request.

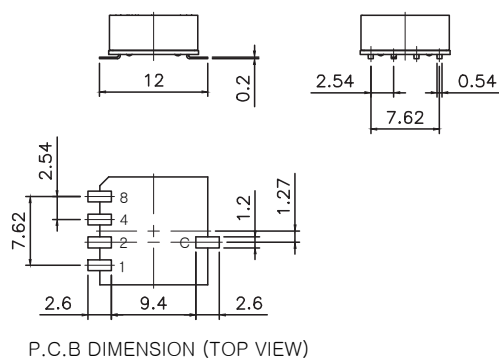
4. Terminal



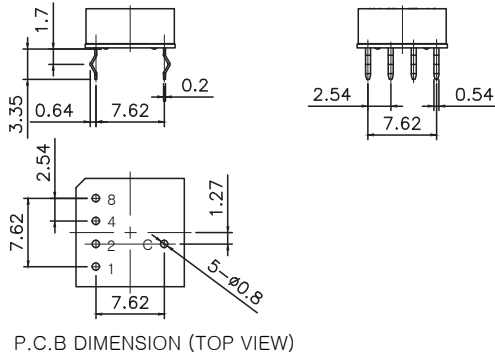
- Through-Hole (Ter' 4x1)



S SMD Type (Ter' 4x1)



K Crimped (Ter' 4x1)

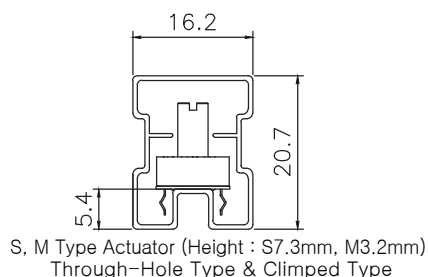
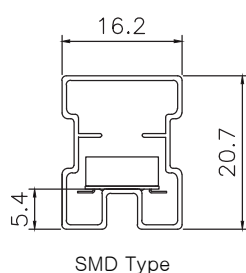
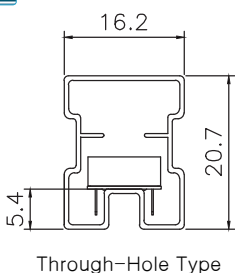


5. Packing



- Tube Packing (Q'ty: 50Pcs/Tube)

TR Tape Reel Packing



Apply to only SMD types
(See Page 31)