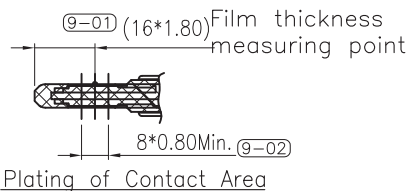
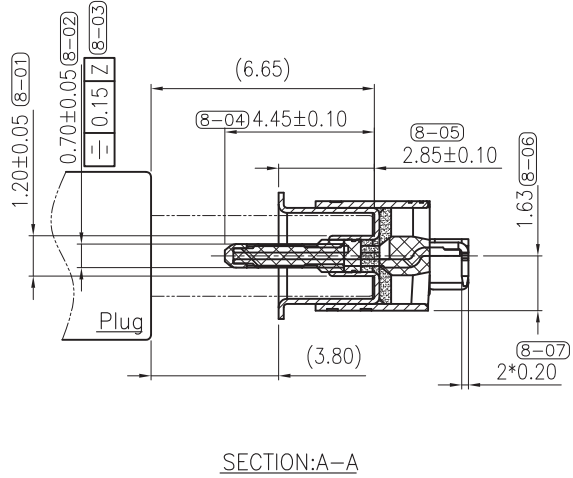
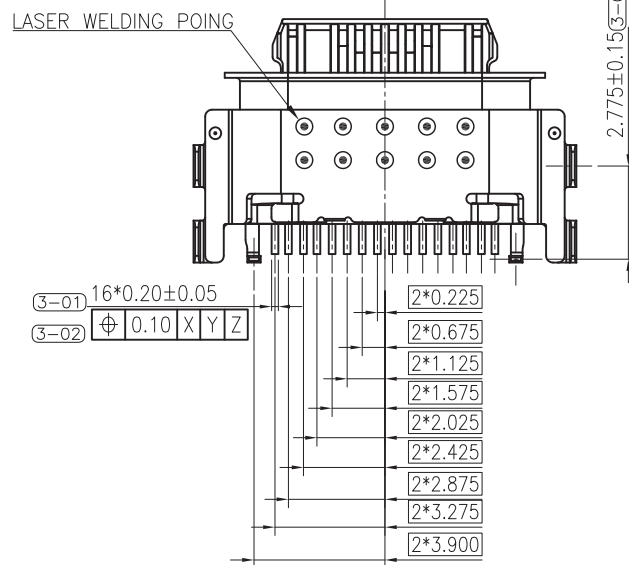
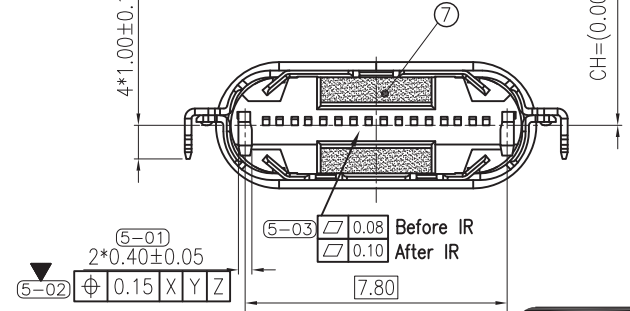
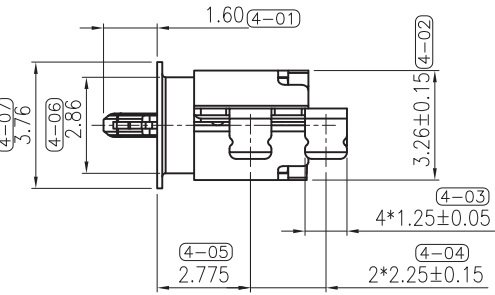
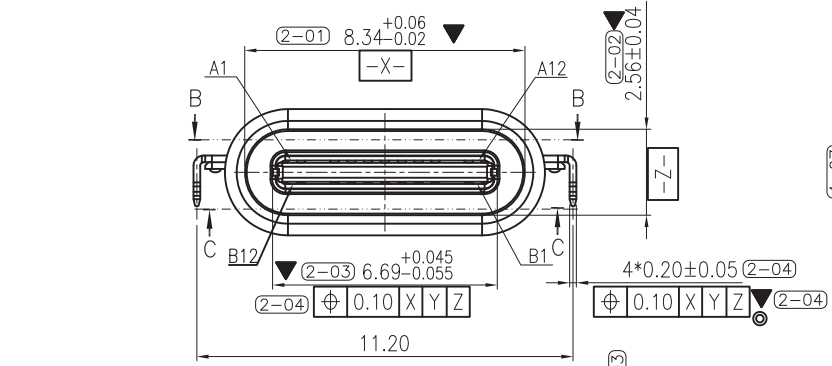
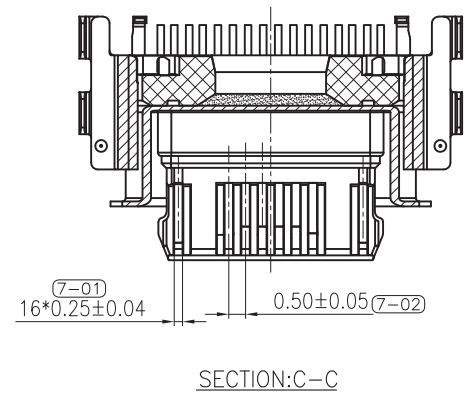
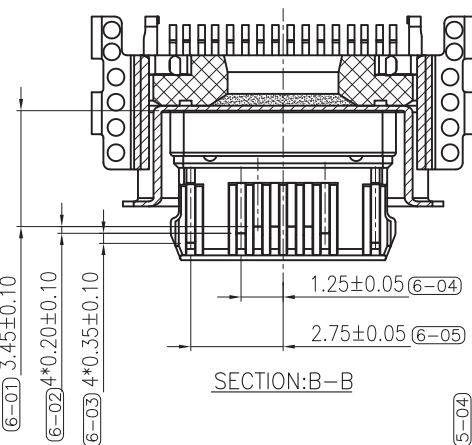
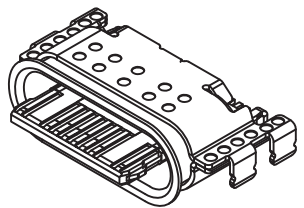
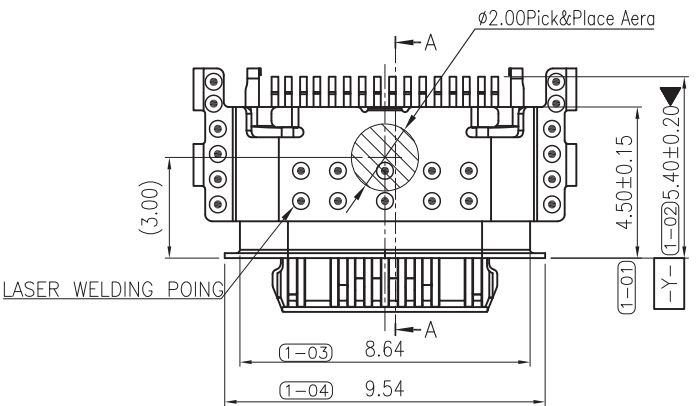




REV.	ECN NO OR DESCRIPTION	REVISED	DATE
A	PROPOSE ONLY	ERIC	2024.07.30



符号	等级	产品管控要求
▼	重点要求	巡检, 定义检验频率
▽	特殊性要求	CPK>1.33
◎	全检要求	自动机检验

UNLESS OTHERWISE SPECIFIED TOLERANCES		TACLEX ELECTRONICS CO., LTD.			
DECIMALS:	ANGLES:	TITLE	Type.C 16PIN L=6.1MM CHOMM WATERPROOF CONN. REC.		
X :±0.5	X :±2'	DWN	chenjun	PART NO. TWR48-16121605-08	
X.X :±0.20	X.X :±1'	CHKD	chenjun	SCALE:1:1	UNIT: mm
X.XX :±0.10		APVD	Kevin.d	SIZE: A4	SHEET:10F3
X.XXX :±0.05					REV: A
DRAW NO. C-DWG-TWR48-08				CUSTOMER COPY	



REV.	ECN NO OR DESCRIPTION	REVISED	DATE
A	PROPOSE ONLY	ERIC	2024.07.30

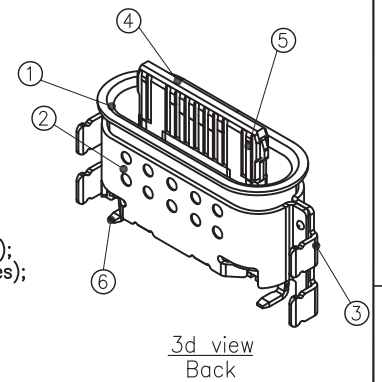
**PIN ASSIGNMENTS:**

A1	A2	A3	A4	A5	A6	A7	A8	A9	A10	A11	A12
GND	⊗	⊗	VBUS	CC1	D+	D-	SBU1	VBUS	⊗	⊗	GND
B12	B11	B10	B9	B8	B7	B6	B5	B4	B3	B2	B1
GND	⊗	⊗	VBUS	SBU2	D-	D+	CC2	VBUS	⊗	⊗	GND

**SPECIFICATION:**

- ELECTRICAL CHARACTERISTICS:**
  - CURRENT RATING: Vbus 5A, VCONN PIN 1.25A ALL OTHER PINS:0.25A
  - CONTACT RESISTANCE: 40 mOHM MAX.
  - DIELECTRIC WITHSTANDING VOLTAGE: 100 VAC r.m.s
  - INSULATION RESISTANCE: 100 MEGOHMS MIN.
- MECHANICAL CHARACTERISTICS**
  - INSERTION FORCE: Initial:5~20N;Durability:5~20N(10000cycles);
  - EXTRACTION FORCE: Initial:8~20N;Durability:6~20N(10000cycles);
  - DURABILITY:10000 CYCLES
- ENVIRONMENTAL CHARACTERISTICS**
  - TEMPERATURE RANGE: -40 °C ~ 85 °C
  - IR REFLOW:
 

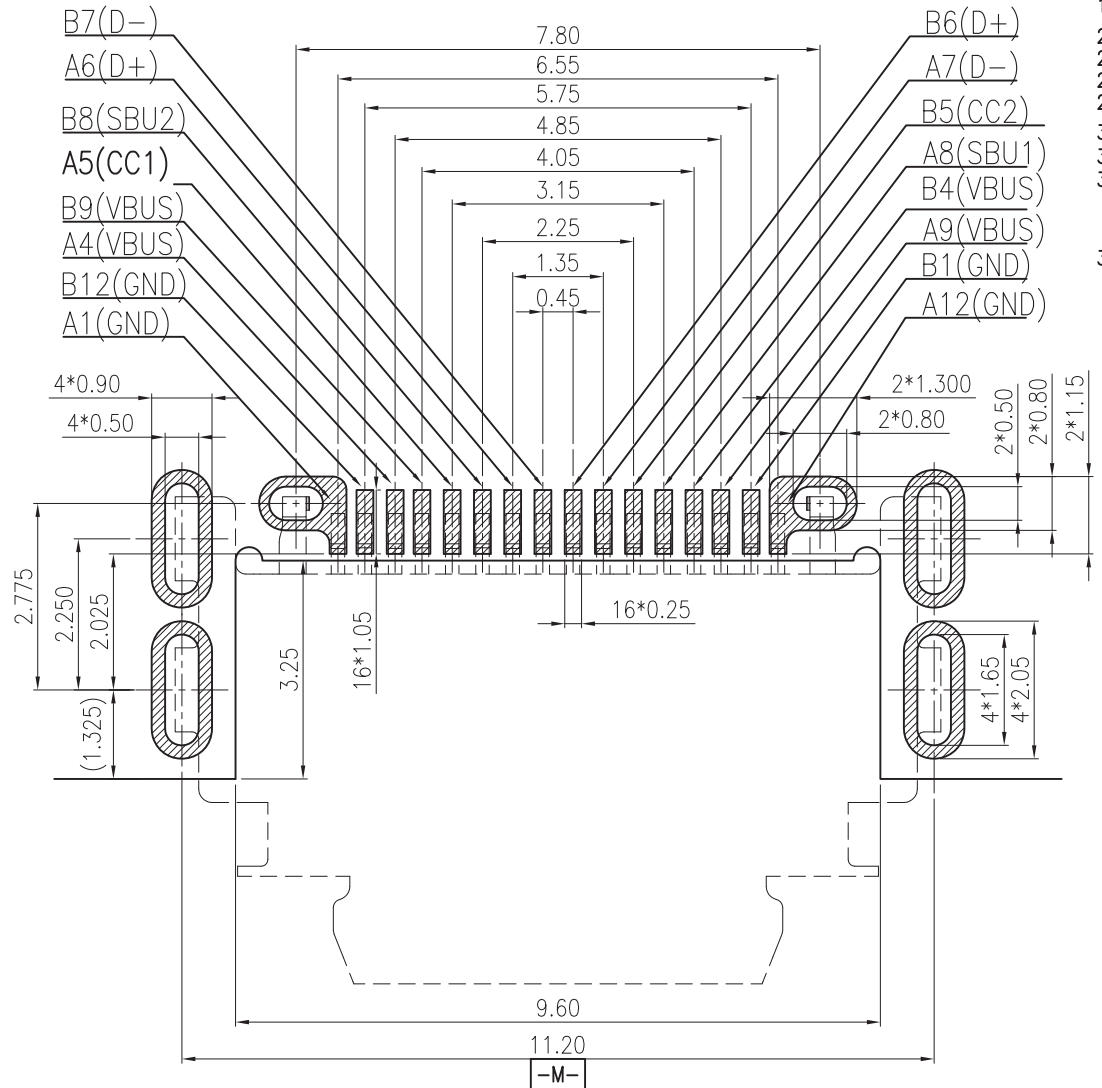
THE PEAK TEMPERATURE ON THE BOARD SHALL BE MAINTAINED FOR 10 SECONDS AT 260°C.
- WATERPROOF:IP68**



TW R 48 - 16 1 2 16 05 - 08

PRODUCT ORDER

- On Board Hight/16=1.6mm
- COLOUR/1=BLACK HOUSING
- POST/2=WITHOUT DULL POST
- Pin Number./16=16Pin
- Plating On Contact Area. 05=15u"Au
- Services Number.



焊盘区域  
 产品轮廓  
 RECOMMENDED P.C.B LAYOUT (THICKNESS:0.80MM)  
 DEFAULT TOLERANCE: ±0.05mm  
 THE THICKNESS OF STEEL MESH IS 0.10mm

⑦	GLUE WATER	1 PCS	SILICONE	BLACK
⑥	MID PLATE	1 PCS	SUS301-H T=0.20mm	Ni 50u"min. UNDER PLATED OVER ALL.
⑤	CONTACT	2 SET	C2680 T=0.25mm	Ni 50u"-150u". UNDER PLATED OVER ALL. CONTACT AREA:15u"Au BRUSH PLATING SOLDER AREA:Au:1u"min
④	HOUSING	1 PCS	PA10T HPN-FRG30M01-20ANH	COLOR: BLACK UL94V-0
③	SHELL-2	1 PCS	SUS304-3/4H T=0.20	Ni 50u"min. UNDER PLATED OVER ALL.
②	SHELL-1	1 PCS	SUS304-3/4H T=0.20	Ni 50u"min. UNDER PLATED OVER ALL.
①	SHELL-main	1 PCS	SUS316L T=0.15mm	Ni 50u"min. UNDER PLATED OVER ALL.
NO.	DESCRIPTION	QTY.	MATERIAL	FINISH

UNLESS OTHERWISE SPECIFIED TOLERANCES

**TACLEX ELECTRONICS CO., LTD.**

DECIMALS: X :±0.5 X.X :±0.30 X.XX :±0.20 X.XXX :±0.10

ANGLES: X :±2' X.X :±1'

TITLE Type.C 16PIN L=6.1MM CHOMM WATERPROOF CONN. REC.

DWN chenjun PART NO. TWR48-16121605-08

CHKD chenjun SCALE:1:1 UNIT: mm

APVD Kevin.d SIZE: A4 SHEET:20F3 REV: A

DRAW NO. C-DWG-TWR48-08 CUSTOMER COPY