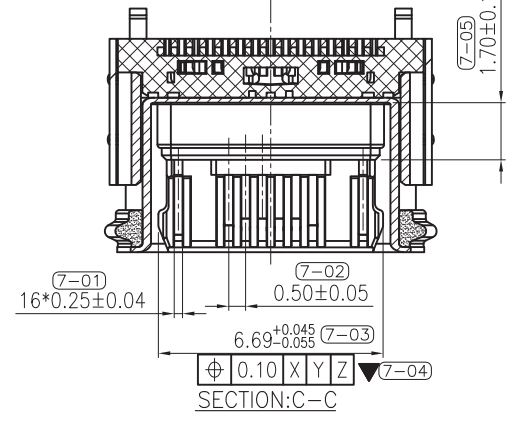
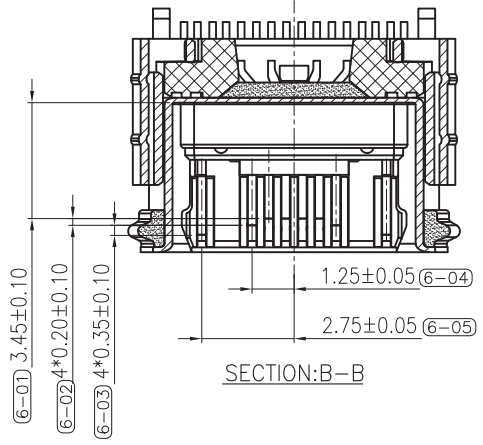
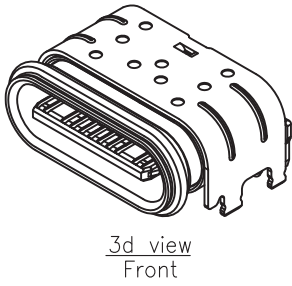
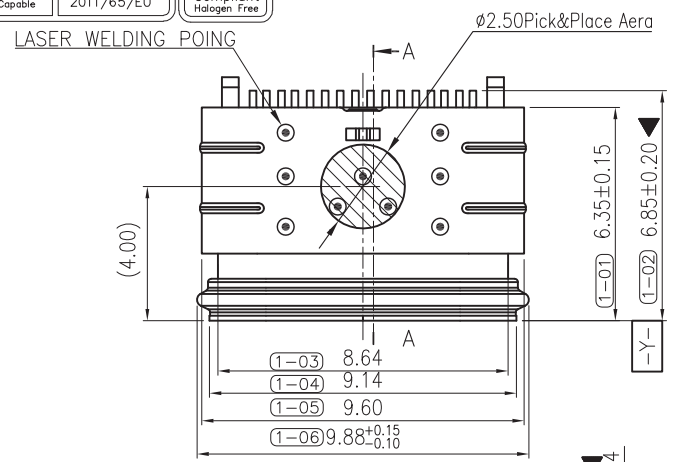




REV.	ECN NO OR DESCRIPTION	REVISED	DATE
A	FIRST RELEASE	ERIC	2024.12.05

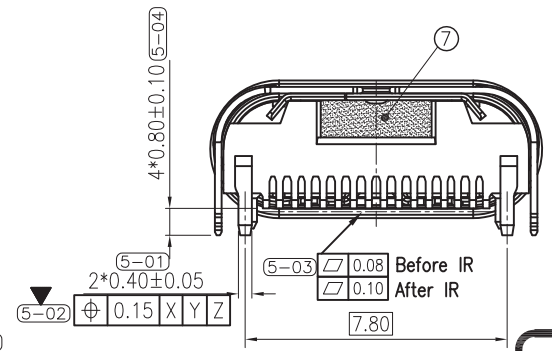
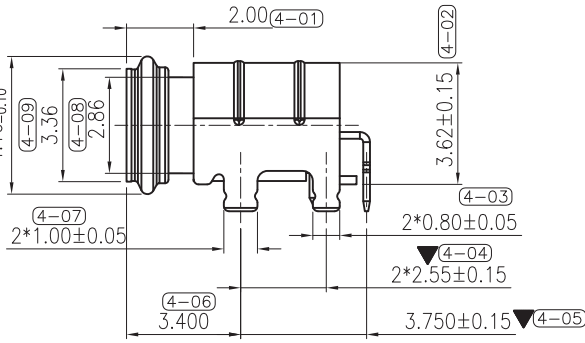
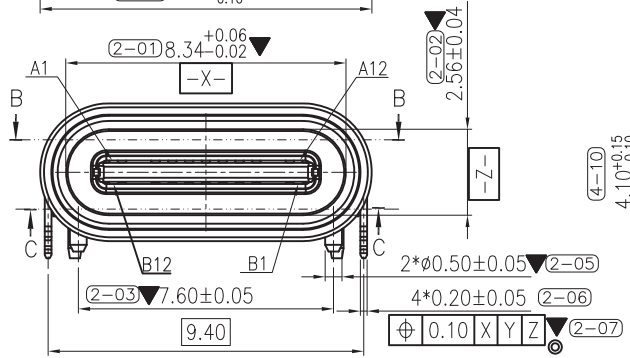
A

A



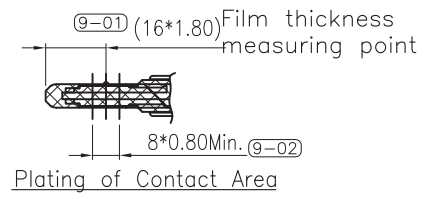
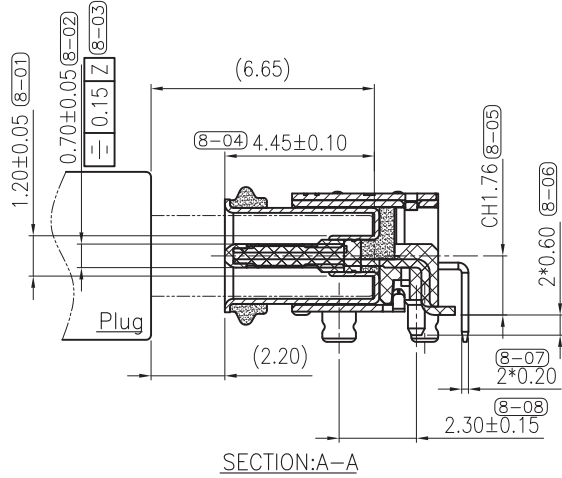
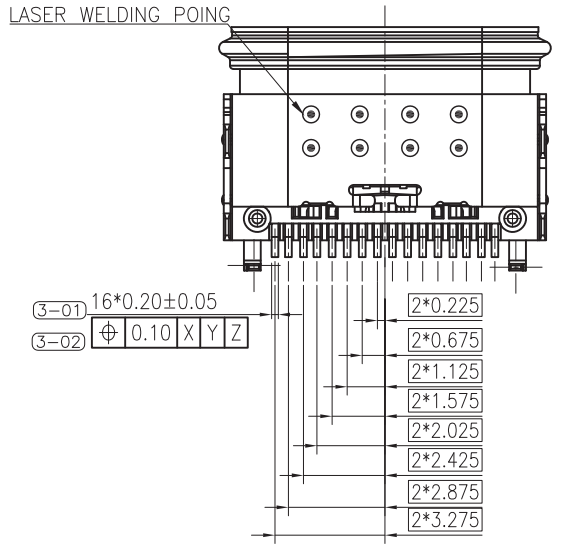
B

B



C

C



符号	等级	产品管控要求
▼	重点要求	巡检, 定义检验频率
▽	特殊性要求	CPK>1.33
◎	全检要求	自动机检验

D

D

UNLESS OTHERWISE SPECIFIED TOLERANCES		TACLEX ELECTRONICS CO., LTD.	
DECIMALS:	ANGLES:	TITLE	Type.C 16PIN L=6.35MM WATERPROOF CONN. REC.
X :±0.5	X :±2'	DWN	chenjun PART NO. TWR36-36111605-K8
X.X :±0.20	X.X :±1'	CHKD	chenjun SCALE:1:1 UNIT: mm
X.XX :±0.10		APVD	Kevin.d SIZE: A4 SHEET:10F2 REV: A
X.XXX :±0.05		DRAW NO. C-DWG-TWR36-K8 CUSTOMER COPY	

1

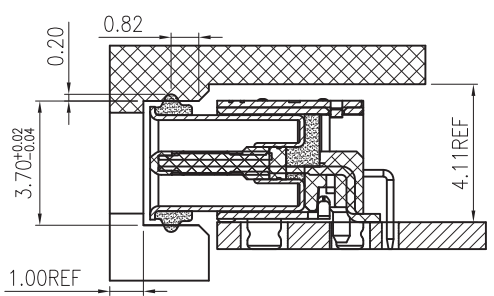
2

3

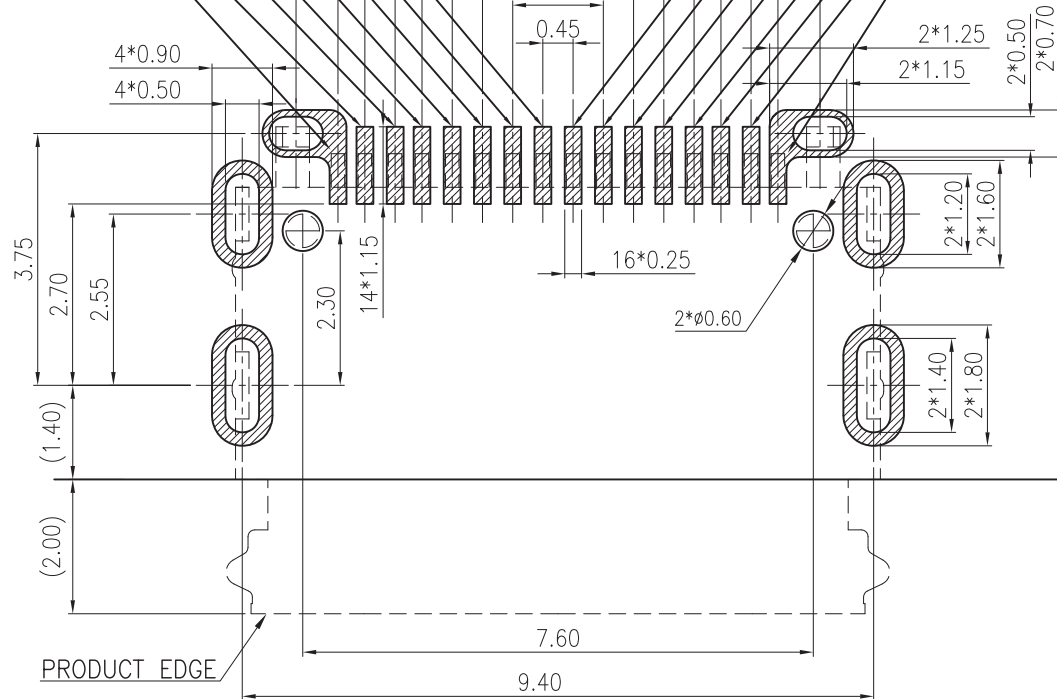
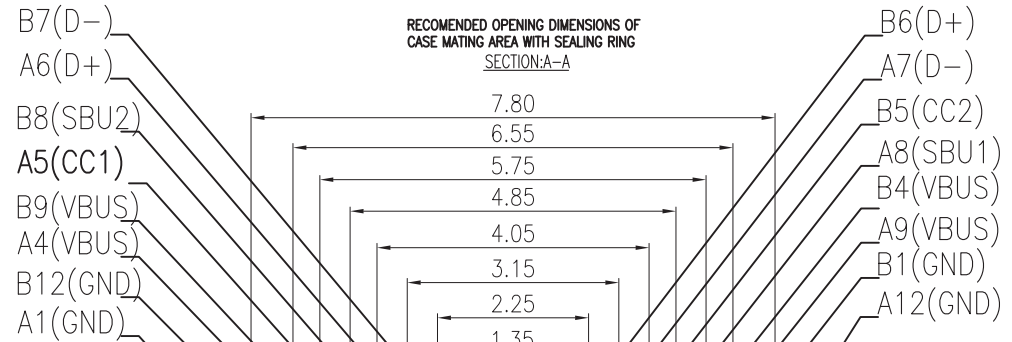
4

5

6



RECOMMENDED OPENING DIMENSIONS OF CASE MATING AREA WITH SEALING RING SECTION:A-A



焊盘区域 RECOMMENDED P.C.B LAYOUT (THICKNESS:0.80MM)  
 产品轮廓 DEFAULT TOLERANCE: ±0.05mm  
 THE THICKNESS OF STEEL MESH IS 0.10mm

SPECIFICATION:

1.ELECTRICAL CHARACTERISTICS:

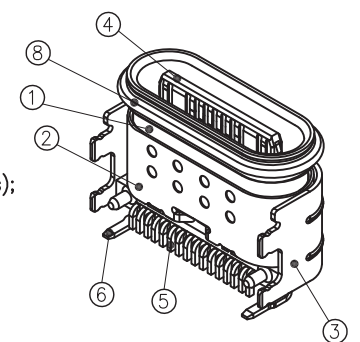
- 1.1 CURRENT RATING: Vbus 5A, VCONN PIN 1.25A ALL OTHER PINS:0.25A
- 1.2 CONTACT RESISTANCE: 40 MILLIONHM MAX.
- 1.3 DIELECTRIC WITHSTANDING VOLTAGE: 100 VAC r.m.s
- 1.4 INSULATION RESISTANCE: 100 MEGOHMS MIN.

2.MECHANICAL CHARACTERISTICS

- 2.1 INSERTION FORCE: Initial:5~20N;Durability:5~20N(10000cycles);
- 2.2 EXTRACTION FORCE: Initial:8~20N;Durability:6~20N(10000cycles);
- 2.3 DURABILITY:10000 CYCLES

3.ENVIRONMENTAL CHARACTERISTICS

- 3.1 TEMPERATURE RANGE: -40 °C ~ 85 °C
- 3.2. IR REFLOW:  
THE PEAK TEMPERATURE ON THE BOARD SHALL BE MAINTAINED FOR 10 SECONDS AT 260°C.
- 3.3. WATERPROOF:IP68



3d view Back

TW R 36 - 36 1 1 16 05 - K8

PRODUCT ORDER

On Board Height/36=3.6mm  
 COLOUR/1=BLACK HOUSING  
 POST/1=With Dull Post  
 Pin Number./16=16Pin  
 Plating On Contact Area. 05=15u"Au  
 Services Number.

PIN ASSIGNMENTS:

A1	A2	A3	A4	A5	A6	A7	A8	A9	A10	A11	A12
GND			VBUS	CC1	D+	D-	SBU1	VBUS			GND
B12	B11	B10	B9	B8	B7	B6	B5	B4	B3	B2	B1
GND			VBUS	SBU2	D-	D+	CC2	VBUS			GND

⑧	O-RING	1 PCS	SILICONE	BLACK
⑦	GLUE WATER	1 PCS	SILICONE	BLACK
⑥	MID PLATE	1 PCS	SUS301-H T=0.20mm	Ni 50u"min. UNDER PLATED OVER ALL.
⑤	CONTACT	2 SET	C2680 T=0.25mm	Ni 50u"-150u". UNDER PLATED OVER ALL. CONTACT AREA:15u"Au BRUSH PLATING SOLDER AREA:Au:1u"min
④	HOUSING	1 PCS	PA10T HPN-FRG30M01-20ANH	COLOR: BLACK UL94V-0
③	SHELL-2	1 PCS	SUS304-3/4H T=0.20	Ni 50u"min. UNDER PLATED OVER ALL.
②	SHELL-1	1 PCS	SUS304-3/4H T=0.20	Ni 50u"min. UNDER PLATED OVER ALL.
①	SHELL-main	1 PCS	SUS316L T=0.15mm	GRINDING AND POLISHING
NO.	DESCRIPTION	QTY.	MATERIAL	FINISH

UNLESS OTHERWISE SPECIFIED TOLERANCES



DECIMALS:	ANGLES:	TITLE	Type.C 16PIN L=6.35MM WATERPROOF CONN. REC.		
X :±0.5	X :±2'	DWN	chenjun	PART NO. TWR36-36111605-K8	
X.X :±0.30	X.X :±1'	CHKD	chenjun	SCALE:1:1	UNIT: mm
X.XX :±0.20		APVD	Kevin.d	SIZE: A4	SHEET:2OF2
X.XXX :±0.10				DRAW NO. C-DWG-TWR36-K8	CUSTOMER COPY