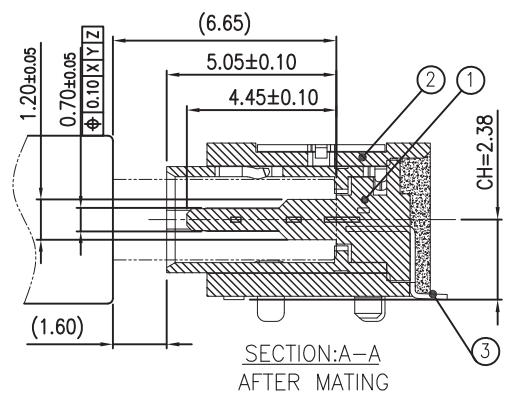
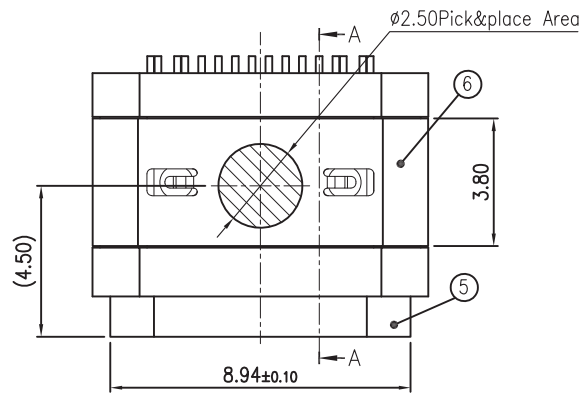




REV.	ECN NO OR DESCRIPTION	REVISED	DATE
	FIRST RELEASE	ERIC	2024.02.23



**SPECIFICATION:**

**1.ELECTRICAL CHARACTERISTICS:**

1.1 CURRENT RATING: 5A FOR VBUS PIN,  
1.25A FOR VCONN, 0.25A FOR OTHER PIN

1.2 CONTACT RESISTANCE: 40 MILLIONHM MAX.

1.3 DIELECTRIC WITHSTANDING VOLTAGE: 100 VAC r.m.s

1.4 INSULATION RESISTANCE: 100 MEGOHMS MIN.

**2.MECHANICAL CHARACTERISTICS**

2.1 INSERTION FORCE: Initial:5~20N;Durability:5~20N(10000cycles);

2.2 EXTRACTION FORCE: Initial:8~20N;Durability:6~20N(10000cycles);

2.3 DURABILITY:10000 CYCLES

**3.ENVIRONMENTAL CHARACTERISTICS**

3.1 TEMPERATURE RANGE: -40 °C ~ 85 °C

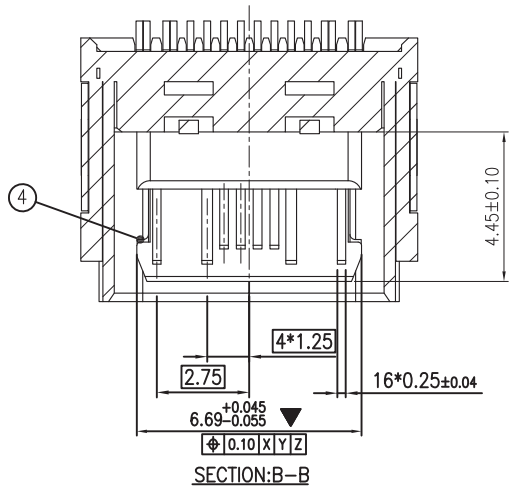
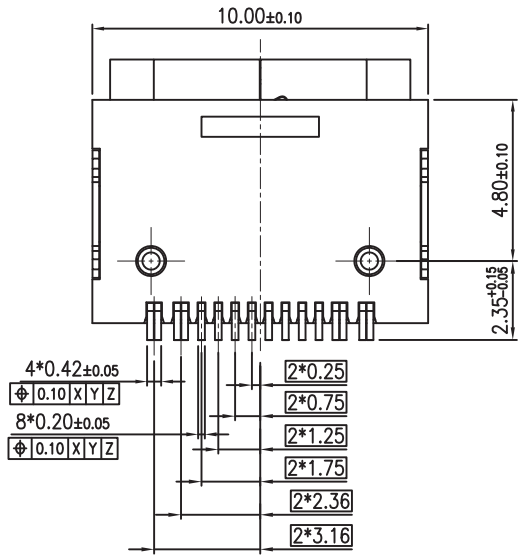
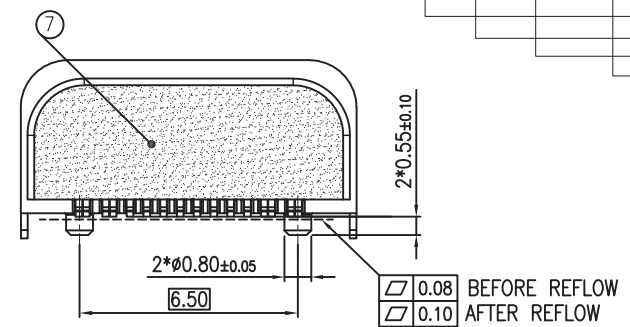
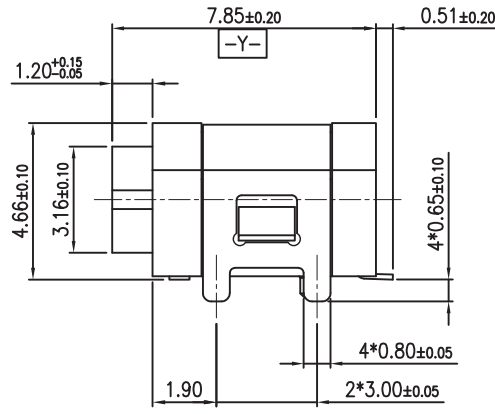
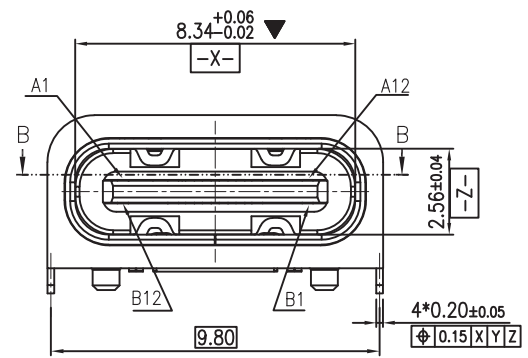
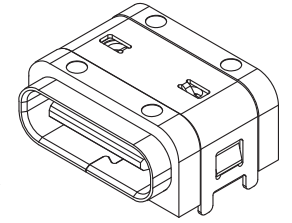
3.2. IR REFLOW:  
THE PEAK TEMPERATURE ON THE BOARD SHALL  
BE MAINTAINED FOR 10 SECONDS AT 260°C.

3.3. WATER PROOF:IPX6

**TWR34-46 1 1 16 01 - T6**

PRODUCT ORDER

- On Board Hight/46=4.66mm
- COLOUR/1=BLACK HOUSING
- POST/1=With Dull Post
- Pin Number./16=16Pin
- Plating On Contact /01="Au1u"
- Servies Number.



7	GLUE	1PCS	SILICONE	BLACK
6	OUT SHELL	1PCS	STAINLESS STEEL SUS304	NI Plated:40u"MIN
5	Inside SHELL	1PCS	STAINLESS STEEL SUS304	NI Plated:40u"MIN
4	SHIELDING PLATE	1PCS	STAINLESS STEEL SUS301	----
3	CONTACT	1SET	BRASS	Contact Plating: Au 1u"MIN Soldering Plating: Au 1u"
2	SHELL HOUSING	1PCS	PA46 UL94V-0	BLACK
1	HOUSING	1PCS	LCP UL94V-0	BLACK
NO	DESCRIPTION	QTY	MATERIAL	REMARKS

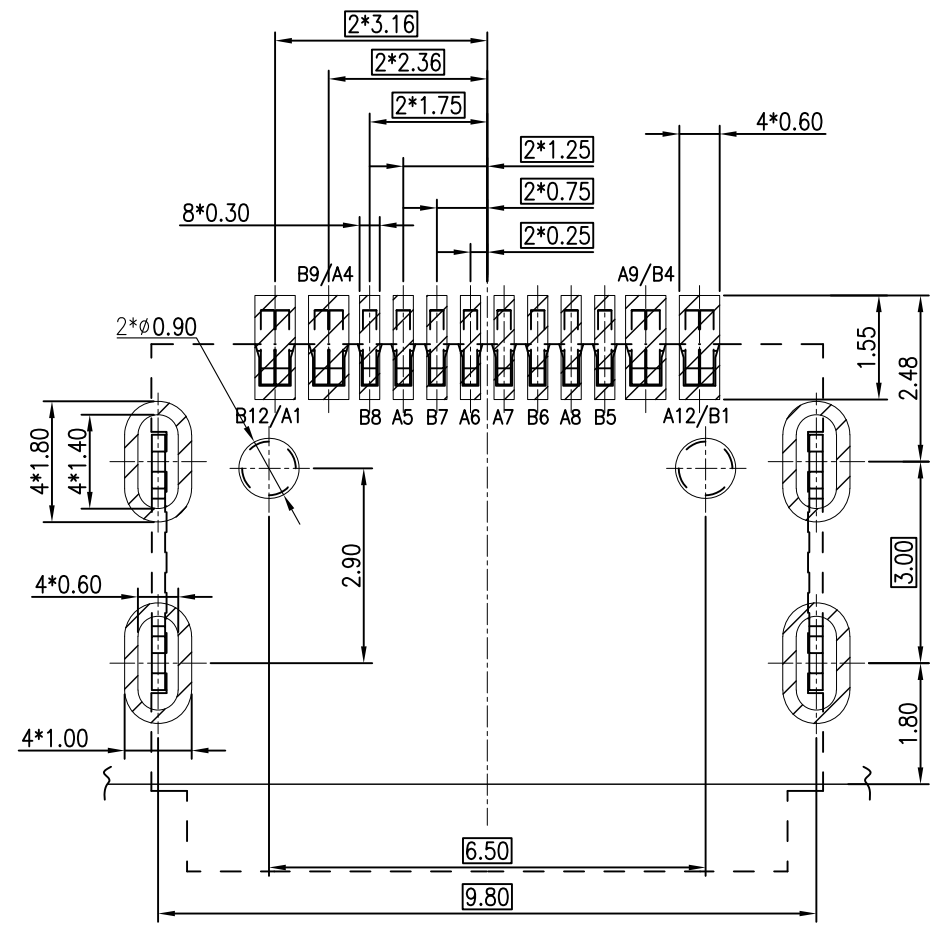
UNLESS OTHERWISE SPECIFIED TOLERANCES					
DECIMALS:	ANGLES:	TITLE Type.C 16PIN WATERPROOF CONN. RECPTACLE			
X :±0.5	X :±2'	DWN	chenjun	PART NO. TWR34-46111601-T6	
X.X :±0.30	X.X :±1'	CHKD	chenjun	SCALE:1:1	UNIT: mm
X.XX :±0.20		APVD	Kevin.d	SIZE: A4	SHEET:10F 2
X.XXX :±0.10		DRAW NO. C-DWG-TWR34-01		SHEET:10F 2	REV: A0
				CUSTOMER COPY	



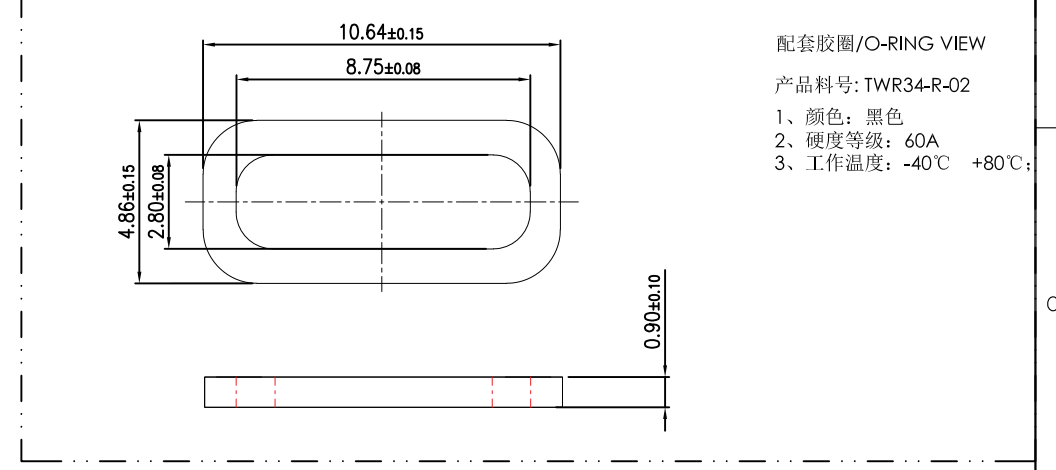
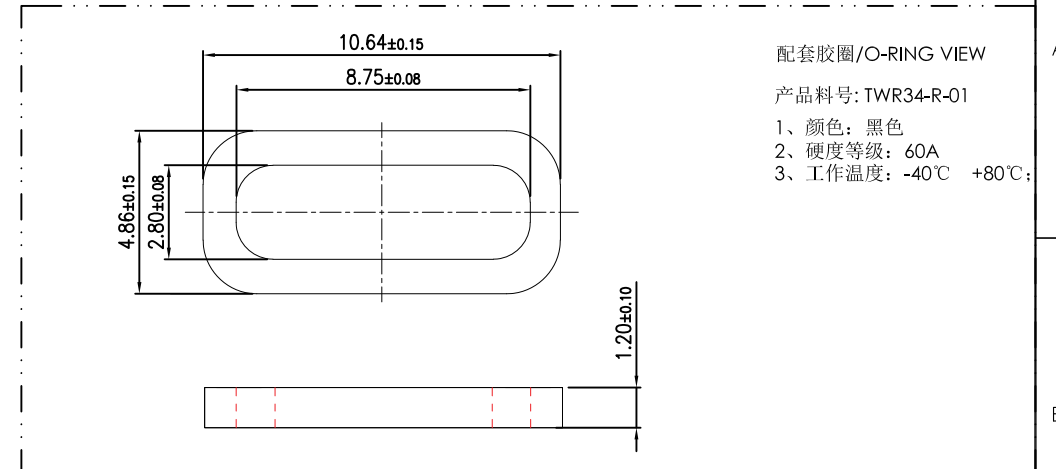
REV.	ECN NO OR DESCRIPTION	REVISED	DATE
	FIRST RELEASE	ERIC	2024.02.23

PIN ASSIGNMENTS:

A1	A2	A3	A4	A5	A6	A7	A8	A9	A10	A11	A12
GND			VBUS	CC1	D+	D-	SBU1	VBUS			GND
GND			VBUS	SBU2	D-	D+	CC2	VBUS			GND
B12	B11	B10	B9	B8	B7	B6	B5	B4	B3	B2	B1



焊盘区域 RECOMMENDED P.C.B LAYOUT (THICKNESS:0.80MM)  
 产品轮廓 DEFAULT TOLERANCE: ±0.05mm  
 THE THICKNESS OF STEEL MESH IS 0.10mm



UNLESS OTHERWISE SPECIFIED TOLERANCES					
DECIMALS:	ANGLES:	TITLE	Type.C 16PIN WATERPROOF CONN. RECPTACLE		
X :±0.5	X :±2'	DWN	chenjun	PART NO. TWR34-46111601-T6	
X.X :±0.30	X.X :±1'	CHKD	chenjun	SCALE:1:1	UNIT: mm
X.XX :±0.20		APVD	Kevin.d	SIZE: A4	SHEET:20F2
X.XXX :±0.10		DRAW NO. C-DWG-TWR34-01		CUSTOMER COPY	