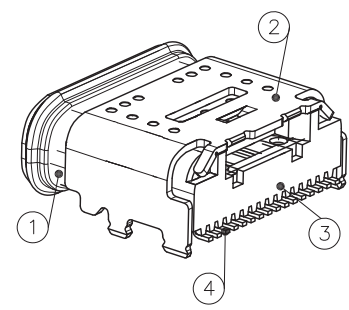
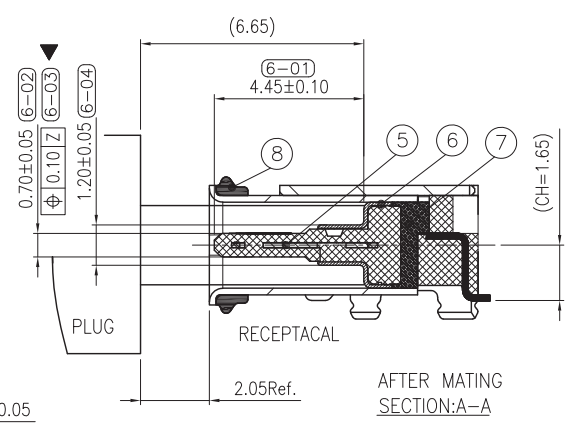
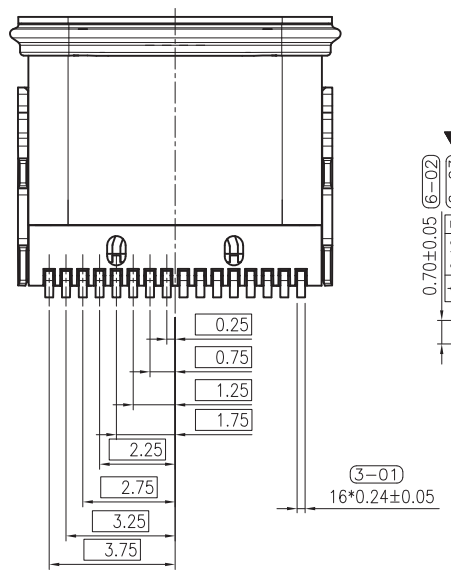
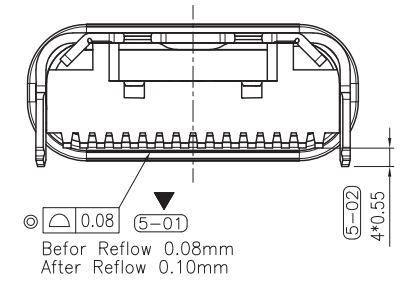
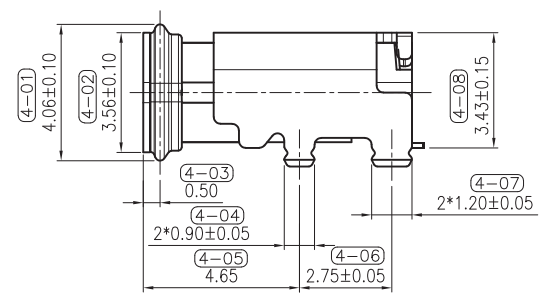
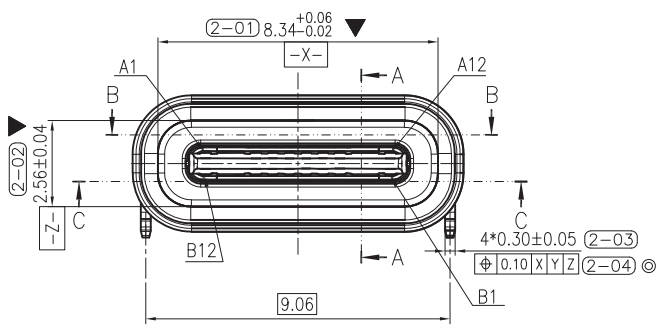
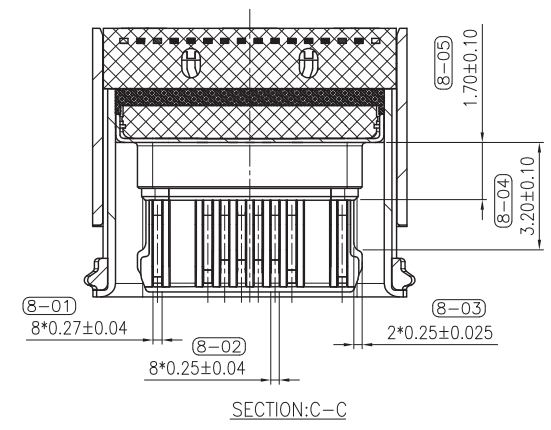
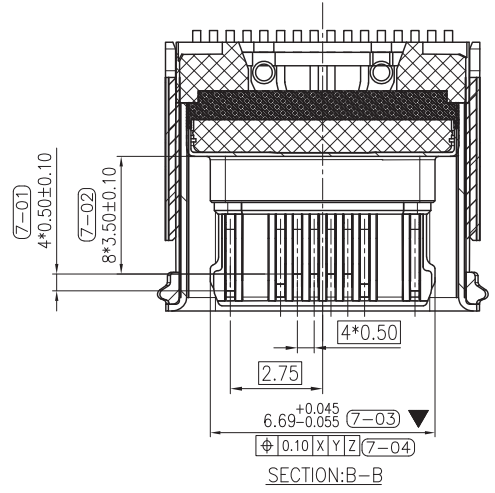
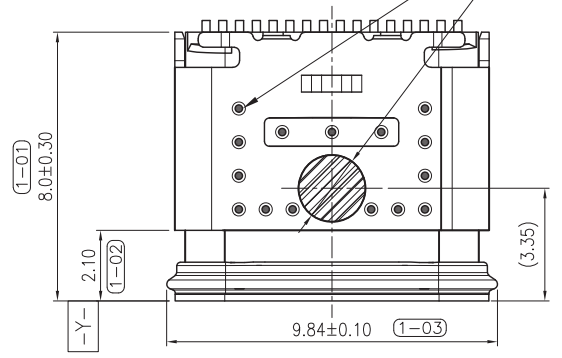




LASER WELDING SPOT 10PCS  
 Ø2.00 Pick&Place Area

REV.	ECN NO OR DESCRIPTION	REVISED	DATE
△	FIRST RELEASE	Sway	2024.11.02



品质管控等级要求		
符号	等级	产品管控要求
▼	重点要求	巡检, 定义检验频率
▽	特殊性要求	CPK>1.33
◎	全检要求	自动机检验

UNLESS OTHERWISE SPECIFIED TOLERANCES		TACLEX ELECTRONICS CO., LTD.	
DECIMALS:	ANGLES:	TITLE Type.C 16PIN CH1.65mm ON BOARD Waterproof CONN.	
X :±0.5	X :±2'	DWN Sway.Z	PART NO. TWR31-34121602-T1
X.X :±0.30	X.X :±1'	CHKD Sway.Z	SCALE:1:1 UNIT: mm
X.XX :±0.20		APVD Kevin.d	SIZE: A4 SHEET: 1/2 REV: A0
X.XXX :±0.10		DRAW NO. C-DWG-TWR31-T1 CUSTOMER COPY	



PIN ASSIGNMENTS:

A1	A2	A3	A4	A5	A6	A7	A8	A9	A10	A11	A12
GND	TX1+	TX1-	Vbus	CC1	D+	D-	SBU1	Vbus	RX2-	RX2+	GND
B12	B11	B10	B9	B8	B7	B6	B5	B4	B3	B2	B1
GND	RX1+	RX1-	Vbus	SBU2	D-	D+	CC2	Vbus	TX2-	TX2+	GND

REV.	ECN NO OR DESCRIPTION	REVISED	DATE
	FIRST RELEASE	Sway	2024.11.02



SPECIFICATION:

- ELECTRICAL CHARACTERISTICS:
  - CURRENT RATING: Vbus 5A, Vconn Pin 1.25A All Other pins:0.25A.
  - CONTACT RESISTANCE: 40 MILLIONHM MAX.
  - DIELECTRIC WITHSTANDING VOLTAGE: 100 VAC r.m.s
  - INSULATION RESISTNACE: 100 MEGOHMS MIN.
- MECHANICAL CHARACTERISTICS
  - INSERTION FORCE: Initial:5~20N;Durability:5~20N(10000cycles);
  - EXTRACTION FORCE: Initial:8~20N;Durability:6~20N(10000cycles);
  - DURABILITY:10000 CYCLES
- ENVIRONMENTAL CHARACTERISTICS
  - TEMPERATURE RANGE: -40 °C ~ 85 °C
  - IR REFLOW:
 

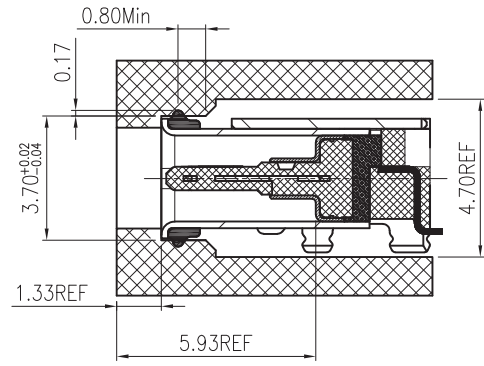
THE PEAK TEMPERATURE ON THE BOARD SHALL BE MAINTAINED FOR 10 SECONDS AT 260°C.

4. P/N ORDER

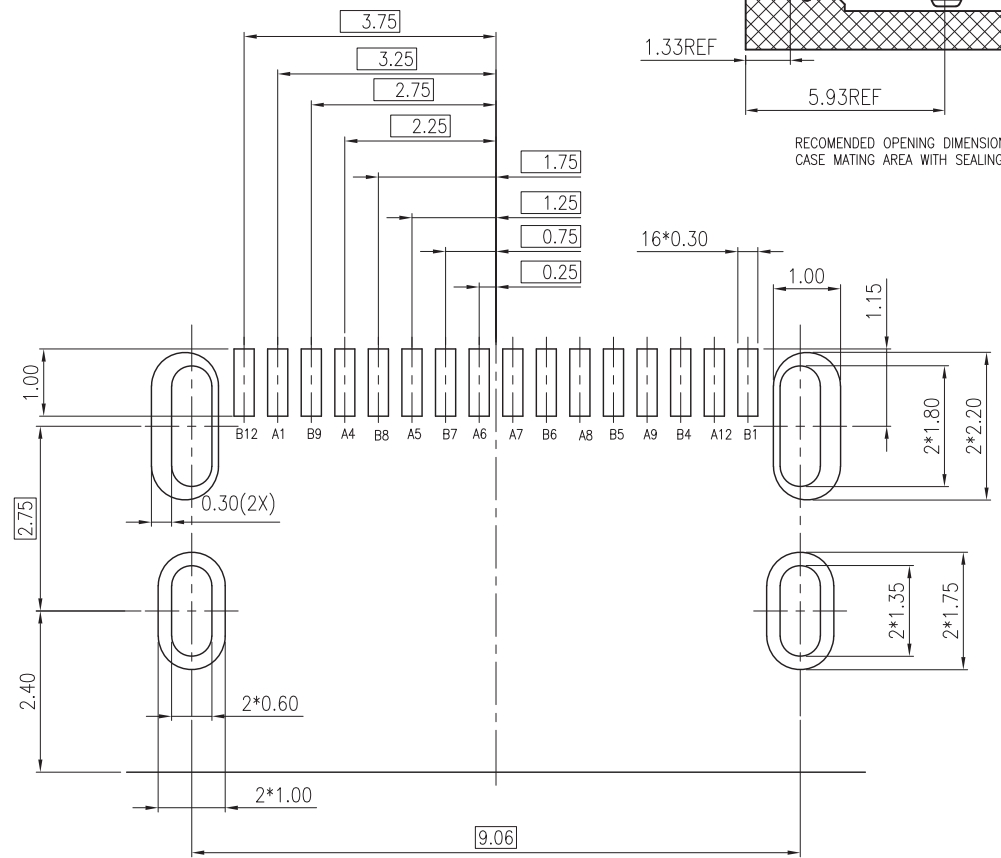
**TWR31-34 1 2 16 02 - T1**

PRODUCT ORDER

- On Board Hight/34=3.43mm
- COLOUR/1=BLACK HOUSING
- POST/2=Without Dull Post
- Pin Number./16=16Pin
- Plating/02=Au3u
- Servies Number.



RECOMMENDED OPENING DIMENSIONS OF CASE MATING AREA WITH SEALING RING



RECOMMENDED P.C.B LAYOUT (COMPONENT SIDE)  
DEFAULT TOLERANCE: ±0.05mm

⑧	O-RING	1	SILICONE	Black
⑦	GLUE	1	SILICONE	Black
⑥	EMC	1	STAINLESS STEEL	CLEAN
⑤	MID PLATED	1	STAINLESS STEEL	CLEAN
④	CONTACT	1	C7025	30~80u" Ni plating on the soldering area 3u"Au plating on contact area 1u"Au plating on soldering area
③	I/M HOUSING	1	PA10T	Black
②	COVER SHELL	1	STAINLESS	50u"Min Ni plating over all
①	MAIN SHELL	1	STAINLESS	CLEAN
Item	PART NAME	QTY	Material	Treatment

UNLESS OTHERWISE SPECIFIED TOLERANCES

**TACLEX ELECTRONICS CO., LTD.**

DECIMALS:	ANGLES:	TITLE Type.C 16PIN CH1.65mm ON BOARD Waterproof CONN.		
X :±0.5	X :±2'	DWN	Sway.Z	PART NO. TWR31-34121602-T1
X.X :±0.30	X.X :±1'	CHKD	Sway.Z	SCALE:1:1 UNIT: mm
X.XX :±0.20		APVD	Kevin.d	SIZE: A4 SHEET: 2/2 REV: A0
X.XXX :±0.10		DRAW NO. C-DWG-TWR31-T1		CUSTOMER COPY