



**SPECIFICATION:**

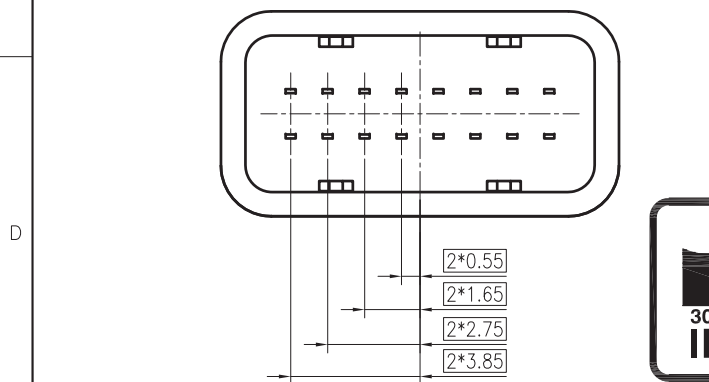
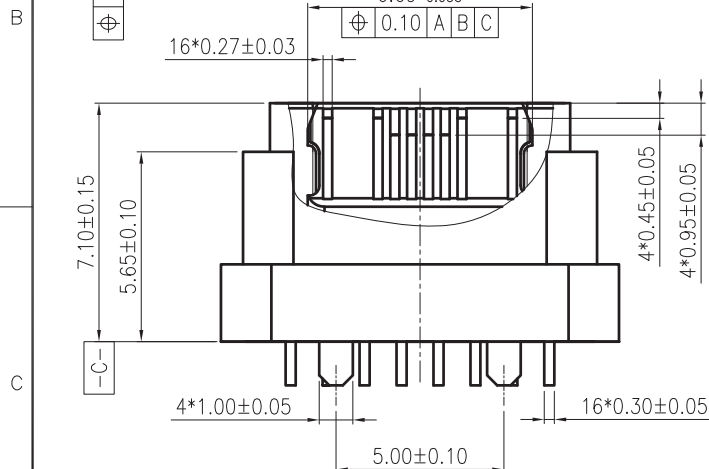
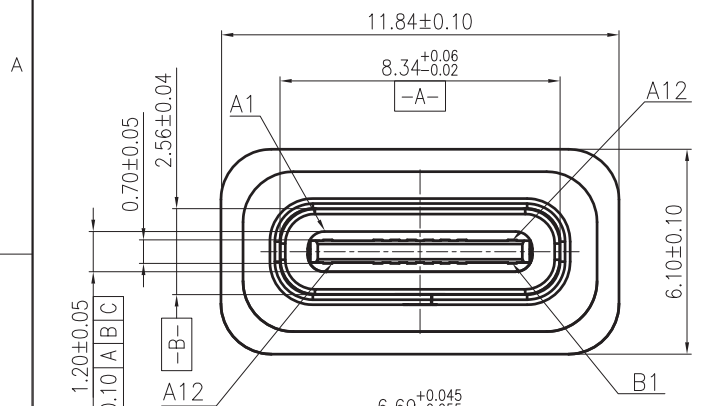
- 1.ELECTRICAL CHARACTERISTICS:  
 1.1 CURRENT RATING: 5A/ TOTAL POWER PIN 1.25A/Pin MAX(A4,A9,B4,B9),0.25A(OTHER PIN)  
 1.2 CONTACT RESISTANCE: 40 MILLIONHM MAX.  
 1.3 DIELECTRIC WITHSTANDING VOLTAGE: 100 VAC r.m.s  
 1.4 INSULATION RESISTNACE: 100 MEGOHMS MIN.  
 2.MECHANICAL CHARACTERISTICS  
 2.1 INSERTION FORCE: 5~20N  
 2.2 EXTRACTION FORCE: Initial:8~20N;Durability:5~20N(10000cycles);  
 2.3 DURABILITY:10000 CYCLES  
 3.ENVIRONMENTAL CHARACTERISTICS  
 3.1 TEMPERATURE RANGE: -40 °C ~ 85 °C  
 3.2. IR REFLOW:

THE PEAK TEMPERATURE ON THE BOARD SHALL BE MAINTAINED FOR 10 SECONDS AT 260°C.

**TWR28-71121602-D1**

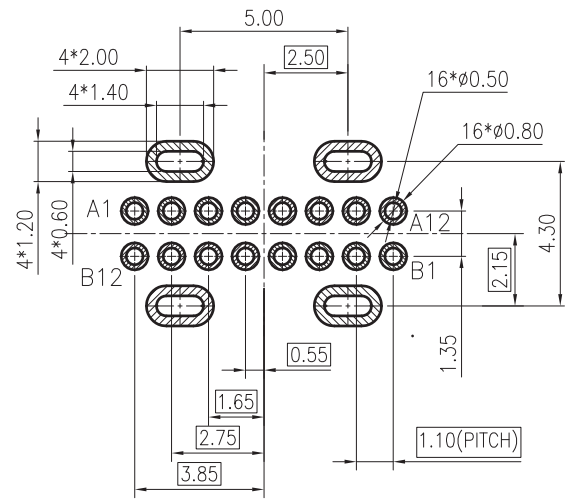
TC=TYPE.C CONN.  
 R=RECTACLE  
 Product Order  
 .71:HEIGHT ON BOARD 7.1mm  
 .1=BLACK HOUSING/  
 .2=WITHOUT POST  
 01= Servies NO. SEE Detailed List  
 02=1~3u" Au Plating On Contact Aera  
 Pin NO. 16=16Pin.

REV.	ECN NO OR DESCRIPTION	REVISED	DATE
A	PROPOSE ONLY	ERIC	2022.03.22

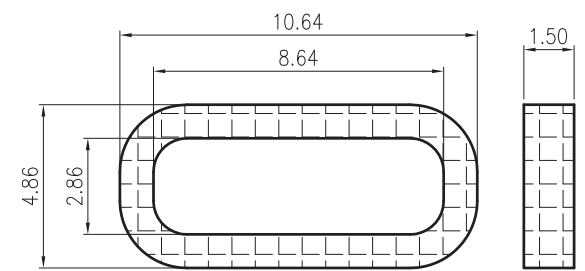
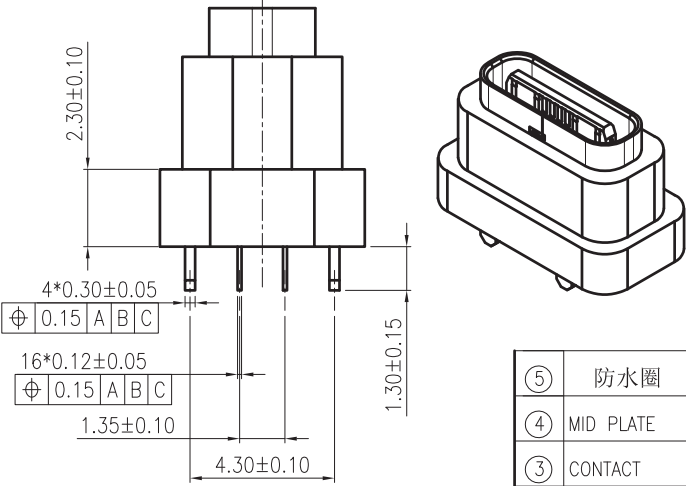


**PIN ASSIGNMENTS:**

A1	GND	B12	GND
A4	VBUS	B9	VBUS
A5	CC1	B8	SBU2
A6	DP1	B7	DN2
A7	DN1	B6	DP2
A8	SBU1	B5	CC2
A9	VBUS	B4	VBUS
A12	GND	B1	GND
PIN	SIGNAL NAME	PIN	SIGNAL NAME



RECOMMENDED P.C.B LAYOUT (COMPONENT SIDE)  
 DEFAULT TOLERANCE: ±0.05mm



配套防水圈

⑤	防水圈	1 PCS	硅胶	BLACK
④	MID PLATE	1 PCS	STAINLESS STEEL	NO SURFACE TREATMENT
③	CONTACT	1 SET	COPPER OLLAY	Ni 50u" MIN. UNDER PLATED OVER ALL. Au PLATED ON THE FUNCTIONAL AREA OF CONTACT.
②	HOUSING	1 PCS	THERMOPLASTIC	COLOR: SEE TABLE
①	SHELL	1 PCS	STAINLESS STEEL	Ni 30u" MIN. UNDER PLATED OVER ALL.
NO.	DESCRIPTION	QTY.	MATERIAL	FINISH

UNLESS OTHERWISE SPECIFIED TOLERANCES

DECIMALS: X :±0.5 X.X :±0.30 X.XX :±0.20 X.XXX :±0.10

ANGLES: X :±2' X.X :±1'

**TACLEX ELECTRONICS CO., LTD.**

TITLE Type.C 16PIN 7.1MM VERTICALE CONN. RECTACLE

DWN chenjun PART NO. TWR28-71121602-D1

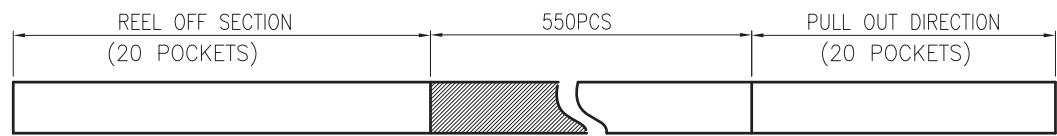
CHKD chenjun SCALE:1:1 UNIT: mm

APVD Kevin.d SIZE: A4 SHEET:10F1 REV: A

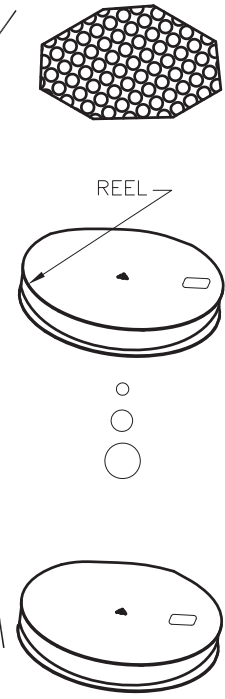
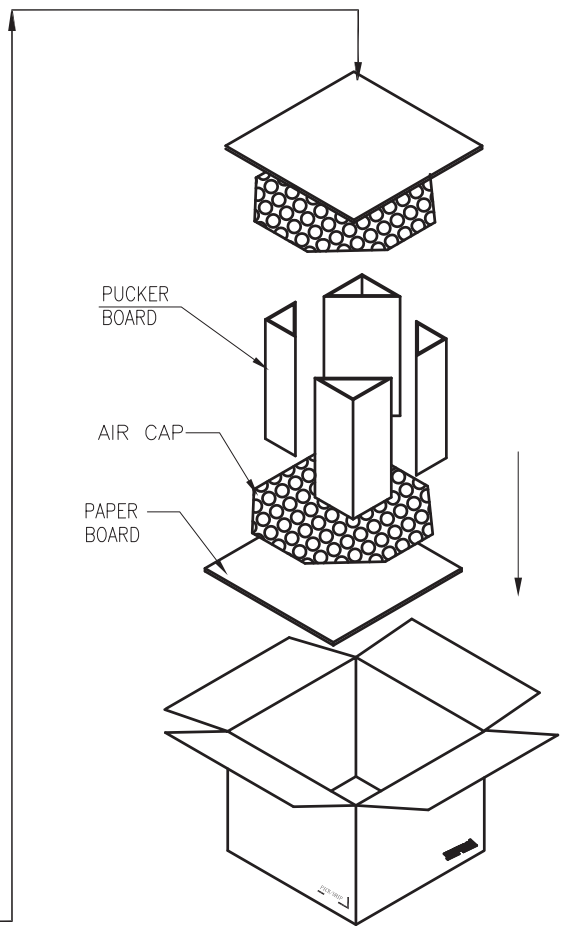
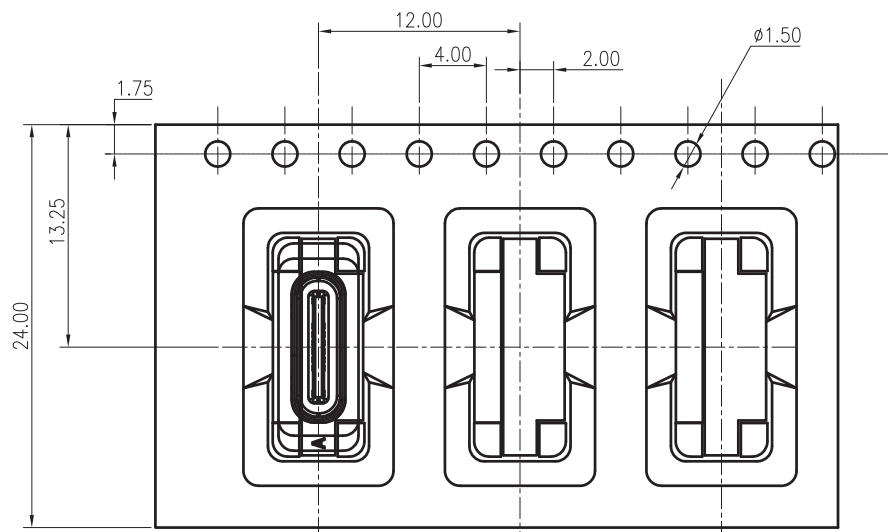
DRAW NO. C-DWG-TWR28-01 CUSTOMER COPY



REV.	ECN NO OR DESCRIPTION	REVISED	DATE
A	PROPOSE ONLY	ERIC	2022.03.22

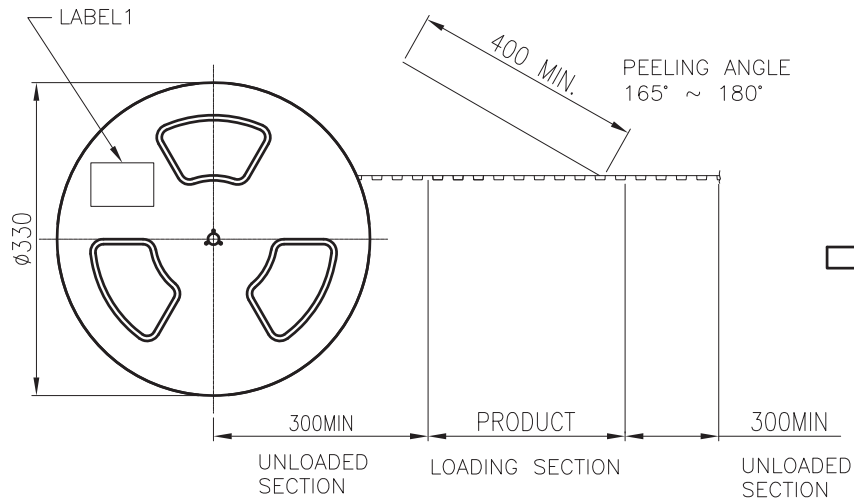


CONN. PART NO.	CONN. QTY./REEL	REEL QTY./CARTON	CONN. QTY./CARTON
TWR28-71121602-D1	550	10	5500 PCS



CUSTOMER TO USE DIRECTION ← → PULL OUT DIRECTION (出料方向) →

TOTAL 10LAYERS



UNLESS OTHERWISE SPECIFIED TOLERANCES				
DECIMALS:	ANGLES:	TITLE	Type.C 16PIN 7.1MM VERTICALE CONN. RECPTACLE	
X :±0.5	X :±2'	DWN	chenjun	PART NO. TWR28-71121602-D1
X.X :±0.30	X.X :±1'	CHKD	chenjun	SCALE:1:1 UNIT: mm
X.XX :±0.20		APVD	Kevin.d	SIZE: A4 SHEET:10F1 REV: A
X.XXX :±0.10		DRAW NO. C-DWG-TWR28-01		CUSTOMER COPY