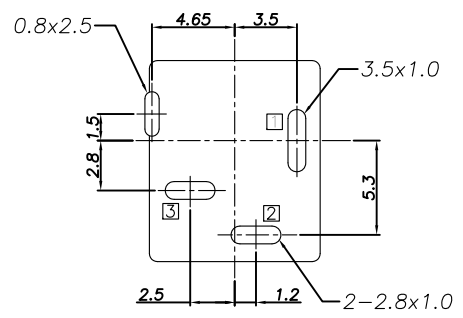
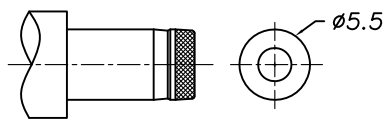
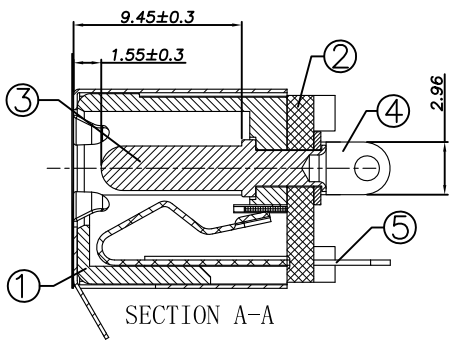
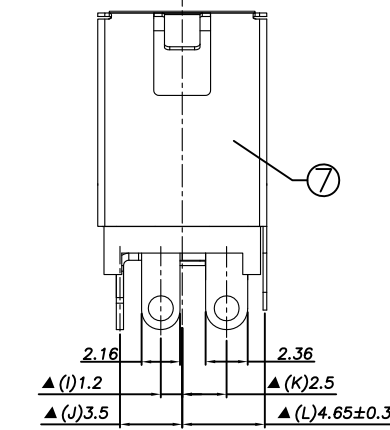


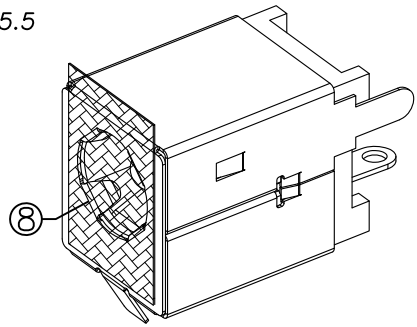
P. C. B Layout (Copper-sided view)



- TDJ-A103H - A J 10 0A S 0 1**
- (1) (2) (3) (4) (5) (6) (7) (8) (9)
- (1) : Series type: DX=DC POWER JACK
 - (2) : Series No.
 - (3) : Schematic option: A
 - (4) : Center pin diameter: J=φ2.5
 - (5) : Material of housing: 10=PA10T
 - (6) : Housing color: 0A=Black
 - (7) : Terminal plating: S=Silver(Ag)
 - (8) : Special option: 0=No special option
 - (9) : Packing mode: 1=Reel packing

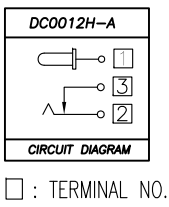


DC MATE PLUG



SPECIFICATION

1. Rating : DC 20V 7A;
2. Contact resistance: ≤ 30mΩ;
3. Insulation resistance: ≥ 100MΩ (DC500V);
4. Withstand voltage: 500VAC ;
5. Insertion and extraction force: 3-30N;
6. life test: 5,000 cycles;
7. Operation temperature range: -20°C~70°C;
8. Preservative temperature range: -40°C~85°C;
9. Sign"▲ "is importance dimension.



△			
△			
△			
△			
△			
△			
SYM	DISCIPTION	DATE	APPROVED

⑧	Mylar	1	Polyimide		
⑦	Shell	1	SUS301,t0.2	TDJ-A103H-W1	Nickel plating
⑥	Shunt terminal	1	Brass,t0.3	TDJ-A103D-03	Silver plating
⑤	Tip spring	1	Phosphor bronze,t0.3	TDJ-A103D-02	Silver plating
④	Center pin terminal	1	Brass,t0.4	TDJ-A103D-01	Silver plating
③	Center pin	1	Brass	TDJ-A103-99G/H/J	Nickel plating
②	Cover	1	PA10T	TDJ-A103H-S2	Black
①	Housing	1	PA10T	TDJ-A103G-S1	Black

TACLEX TACLEX ELECTRONICS CO., LTD.

TOLERANCES UNLESS OTHERWISE SPECIFIED LINEAR: ±0.30 ANGULAR: ±3'		SIGNATURES		DATE	TITLE
REVISIONS		DRAWN	賴振通	2015.10.25	DC POWER JACK
A		CHK'D	游海濤	2015.10.25	NO.
		APPV'D	Rex	2016.05.30	TDJ-A103H