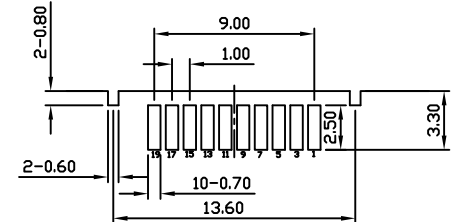
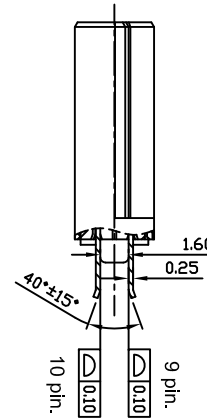
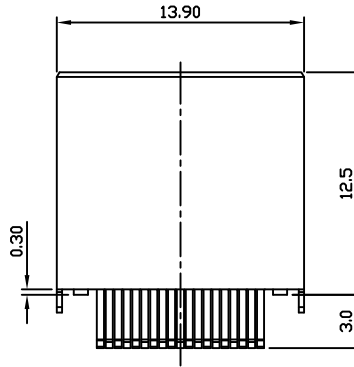
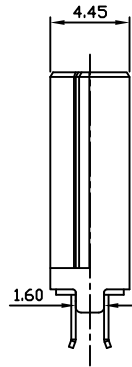
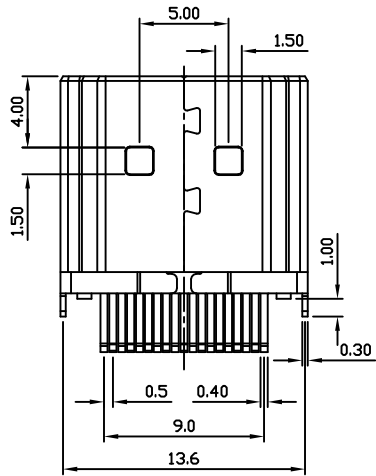
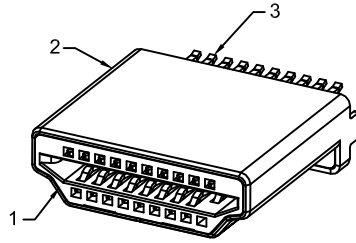
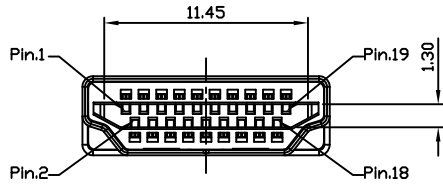


3	Terminal	Copper Alloy	Gold-Tin Plated
2	Shell	Alloy	Ni Plated
1	Housing	High Thermoplastic	
NO.	NAME	MATERIAL	FINISH

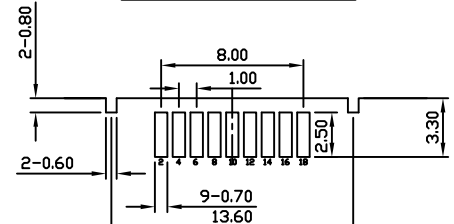
THA - S11PA2 B - L 0 F

Series ————
 Type ————
 Color ————
 B : Black

Shell
 F : Nickel Plated
 Gold Plated
 0 : Gold Flash
 Material
 L : High-Thermoplastic



RECOMMENDED PCB LAYOUT
 TOP VIEW
 TOLERANCE: ±0.05mm
 PCB THICKNESS: 1.60±0.10mm



RECOMMENDED PCB LAYOUT
 BOTTOM VIEW
 TOLERANCE: ±0.05mm
 PCB THICKNESS: 1.60±0.10mm

△			
△			
△			
△			
△			
SYM	DISCRIPTION	DATE	APPROVED

TACLEX TACLEX ELECTRONICS CO., LTD.

TOLERANCES UNLESS OTHERWISE SPECIFIED LINEAR: ±0.30 ANGULAR: ±3°	SIGNATURES		DATE	TITLE
	DRAWN	Alex	2014.03.03	HDMI A TYPE PLUG
	CHK'D	Andy	2014.03.03	NO.
REVISIONS A	SCALE 5/1	APPV'D Rex	2014.03.03	THA-S11PA2