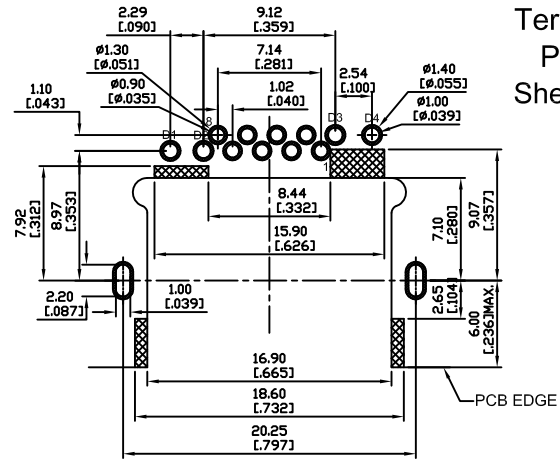
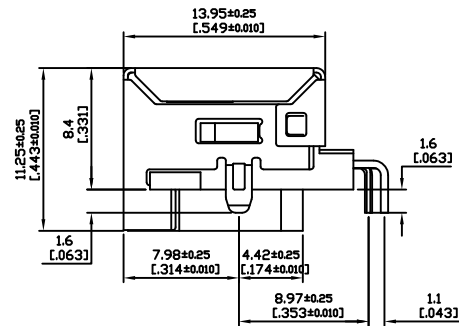
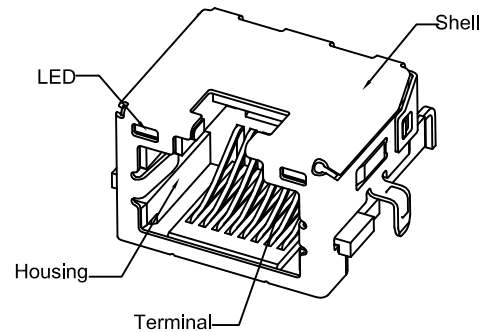


**PART NO : HA 8 8 K 7 A - B \* 1 1 - T R**

- Positions
- Contacts
- Housing Color  
B : Black
- LED Options
- Port
- Gold Plated  
1 : 6u"  
2 : 15u"  
3 : 30u"  
4 : 50u"  
5 : Gold Flash

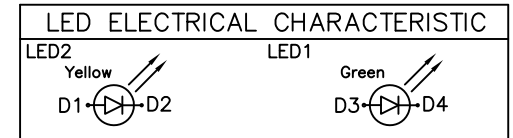


**RECOMMENDED PCB LAYOUT**  
**TOP VIEW**  
**TOLERANCE: ±0.05mm**  
**PCB THICKNESS: 1.20±0.05mm**



**Electrical Characteristics :**  
 Insulation Resistance : 500MΩ Min.  
 Contact Resistance : 50mΩ Max.  
 Withstand Voltage : 1000 VAC 1 minute.  
 Current Rating : 1.5A

**Material:**  
 Housing: High-Thermoplastic UL94V-0  
 Contact : Selective Gold Plating  
 Terminal: 0.25mm Thickness Copper Alloy  
 Plated With Gold And Tin In Solder Area.  
 Shell: Alloy, Nickel Plated



△			
△			
△			
△			
△			
SYM	DISCRIPTION	DATE	APPROVED

		<b>TACLEX ELECTRONICS CO., LTD.</b>	
TOLERANCES UNLESS OTHERWISE SPECIFIED LINEAR: ±0.30 ANGULAR: ±3°		SIGNATURES	DATE
REVISIONS		DRAWN <b>Alex</b>	2014-12-03
A		CHK'D <b>Andy</b>	2014-12-03
		APPV'D <b>Rex</b>	2014-12-03
SCALE 1/1		TITLE RJ45 , Shielded, Receptacle , Horizontal , Single Port , Tht , With LED	
		NO. HA 8 8 K 7 A - B * 1 1 - T R	