

NO.	NAME	MATERIAL	FINISH
1	HOUSING	PBT / Nylon	
2	HOUSING COVER	PBT / Nylon	
3	TERMINAL	Copper Alloy	Gold-Tin Plated
4	SHELL	Alloy	Ni Plated

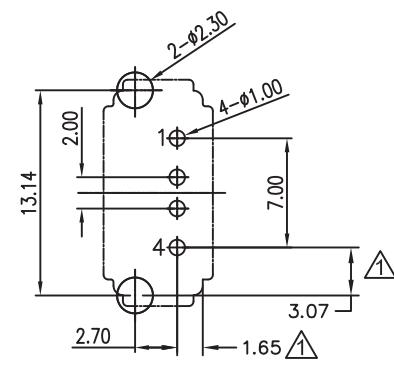
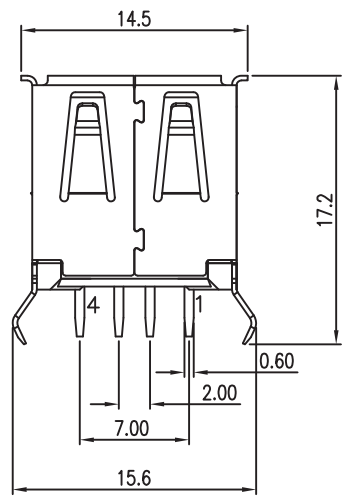
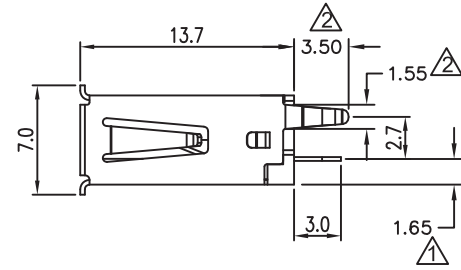
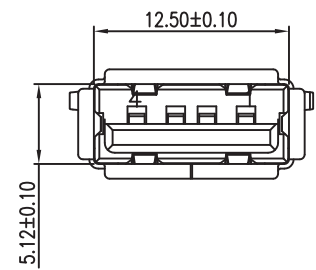
TUA-S10P1 * - * * *

Series _____
 Type _____
 Color _____
 B : Black
 W : White

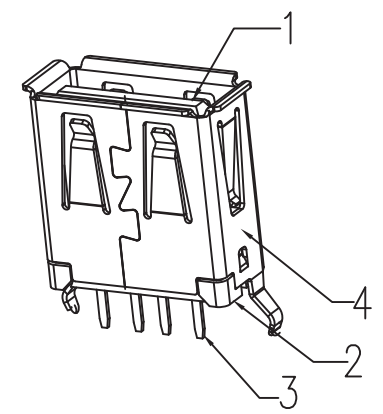
Shell
 F : SPCC
 N : Nickel Plated

Version
 1 : Gold Flash
 2 : 30u"

Material
 B : PBT
 P : Nylon



RECOMMENDED PCB LAYOUT
 TOP VIEW
 TOLERANCE: ±0.05mm
 PCB THICKNESS: 1.60±0.05mm



△			
△			
△			
△			
△			
SYM	DISCRIPTION	DATE	APPROVED

TACLEX TACLEX ELECTRONICS CO., LTD.

TOLERANCES UNLESS OTHERWISE SPECIFIED LINEAR: ±0.30 ANGULAR: ±3°		SIGNATURES	DATE	TITLE
DRAWN		Andy	2012.10.19	USB A TYPE VERTICAL DIP
CHK'D		Alex	2012.10.19	NO.
APPV'D		Rex	2012.10.19	TUA-S10P1
REVISIONS	SCALE			
A	5/1			