

| NO. | NAME | MATERIAL | FINISH |
|-----|-----------|---------------|-----------------|
| 1 | HOUSING | Thermoplastic | |
| 2 | PIN TERM. | Coprer Alloy | Gold-Tin Plated |
| 3 | SHELL | Alloy | Ni Plated |

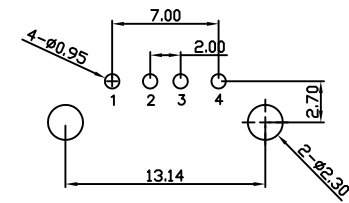
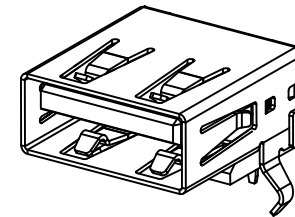
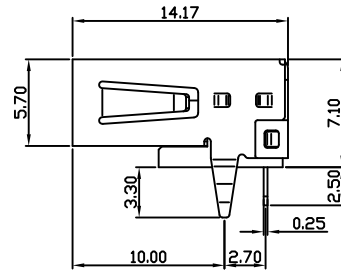
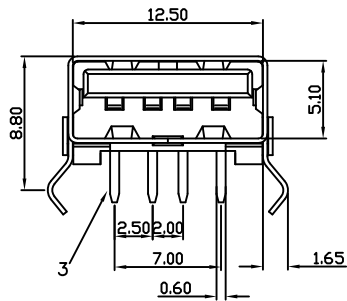
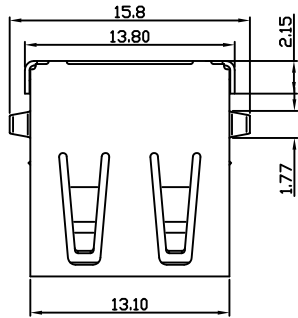
T U A - S 1 0 H 7 B - B * N

Series _____
 Type _____
 Color _____
 B : Black

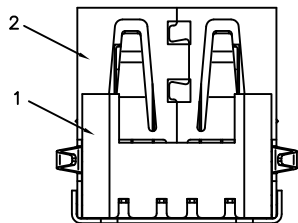
Shell _____
 N : Nickel Plated

Version _____
 1 : 1.1
 2 : 2.0

Material _____
 B : Thermoplastic



RECOMMENDED PCB LAYOUT
 TOP VIEW
 TOLERANCE: ±0.05mm
 PCB THICKNESS: 1.60±0.05mm



| SYM | DISCIPTION | DATE | APPROVED |
|-----|------------|------|----------|
| △ | | | |
| △ | | | |
| △ | | | |
| △ | | | |
| △ | | | |



TACLEX

TACLEX ELECTRONICS CO., LTD.

TOLERANCES UNLESS
 OTHERWISE SPECIFIED
 LINEAR: ±0.30 ANGULAR: ±3°

SIGNATURES

DATE

TITLE

DRAWN

Alex

2010.10.26

USB A TYPE DIP

CHK'D

Andy

2010.10.26

NO.

REVISIONS

A



SCALE

5/1

APPV'D

Rex

2010.10.26

TUA-S10H7