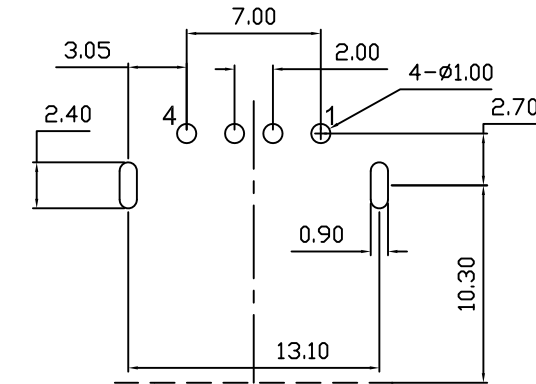
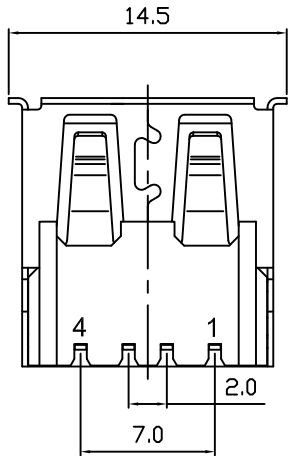
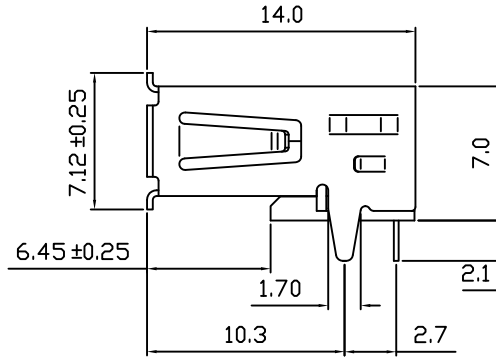
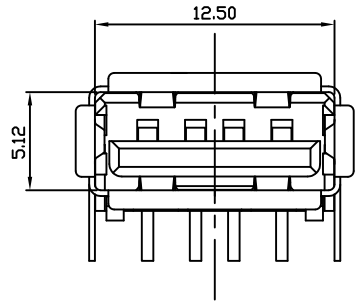


NO.	NAME	MATERIAL	FINISH
1	Housing	High-Thermoplastic	
2	Terminal	Copper Alloy	Gold-Tin Plated
3	Shell	Copper Alloy	Ni Plated

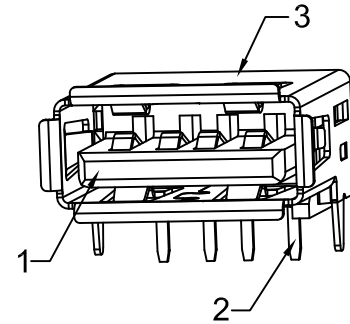
TUA - S10H4D B - L * N - T R

Series
Type
Color
B : Black

Shell
N : Ni Plated
Version
1 : Gold Flash
2 : 30u"
Material
L : High-Thermoplastic



PCB EDGE
RECOMMENDED PCB LAYOUT
TOP VIEW
TOLERANCE: ±0.05mm
PCB THICKNESS: 1.60±0.05mm



△			
△			
△			
△			
△			
SYM	DISCRIPTION	DATE	APPROVED



TACLEX ELECTRONICS CO., LTD.

TOLERANCES UNLESS OTHERWISE SPECIFIED LINEAR: ±0.30 ANGULAR: ±3°		SIGNATURES	DATE	TITLE
		DRAWN Alex	2016-08-30	USB, Type A, Reverse, Receptacle, Horizontal, Single Port, THT
		CHK'D Andy	2016-08-30	
		APPV'D Rex	2016-08-30	
REVISIONS	SCALE			NO.
A	5/1			TUA-S10H4DB-L*N-TR