

NO.	NAME	MATERIAL	FINISH
1	Housing	High-Thermoplastic	
2	Terminal	Copper Alloy	Gold & Tin Plated
3	Shell	Alloy	Ni Plated

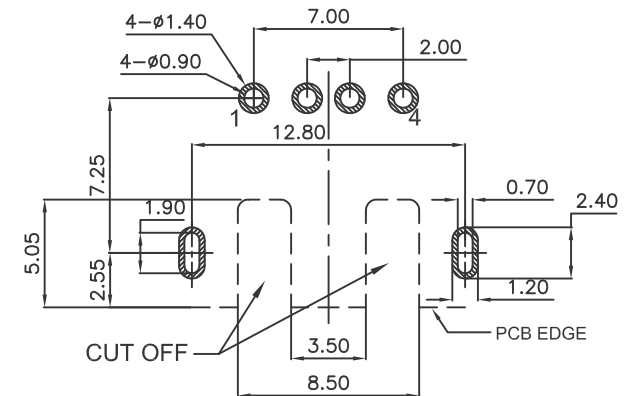
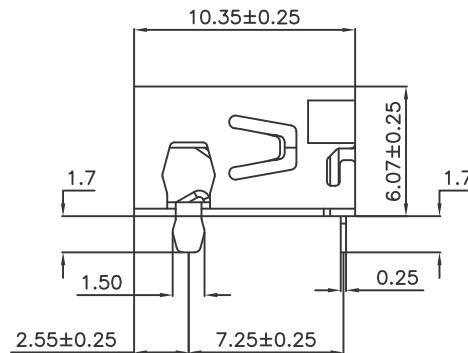
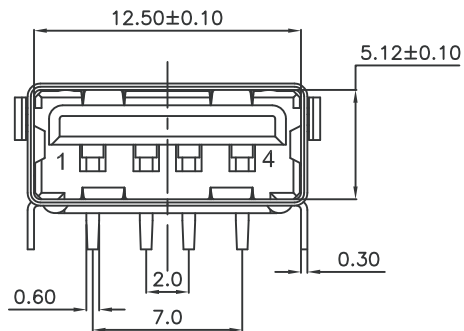
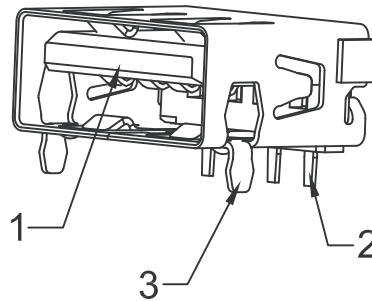
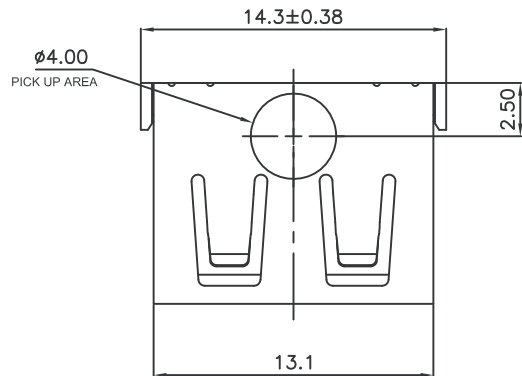
TUA - S10F9 B - L * S4

Series
Type
Color
B : Black

Shell
S4 : Nickel Plated

Version
0 : Gold Flash
2 : 30u"

Material
L : High-Thermoplastic



RECOMMENDED PCB LAYOUT
TOP VIEW
TOLERANCE: ±0.05mm
PCB THICKNESS: 1.20±0.05mm

△			
△			
△			
△			
△			
SYM	DISCRIPTION	DATE	APPROVED



TACLEX

TACLEX ELECTRONICS CO., LTD.

TOLERANCES UNLESS OTHERWISE SPECIFIED
LINEAR: ±0.30 ANGULAR: ±3°

SIGNATURES

DATE

TITLE

DRAWN

Alex

2014.05.30

USB A TYPE DIP

CHK'D

Andy

2014.05.30

NO.

TUA-S10F9

REVISIONS

A



SCALE

5/1

APPV'D

Rex

2014.05.30