

NO.	NAME	MATERIAL	FINISH
1	HOUSING	Thermoplastic	
2	TERMINAL	Copper Alloy	Gold-Tin Plated
3	SHELL	Alloy	Ni Plated

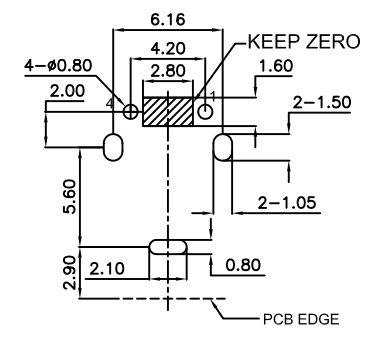
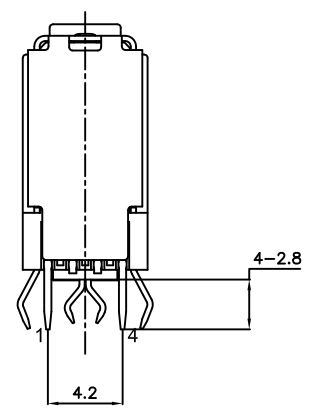
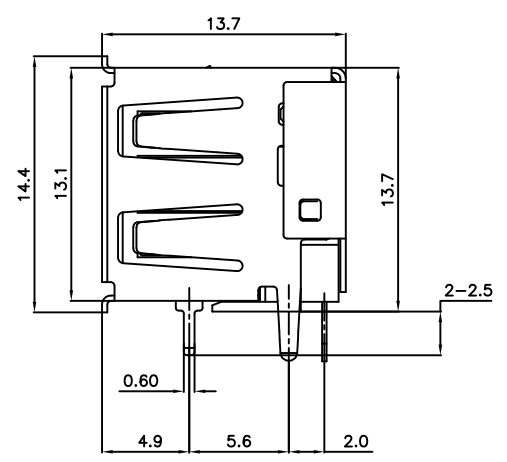
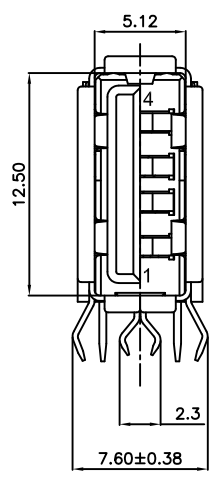
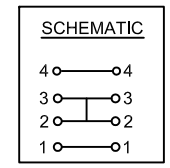
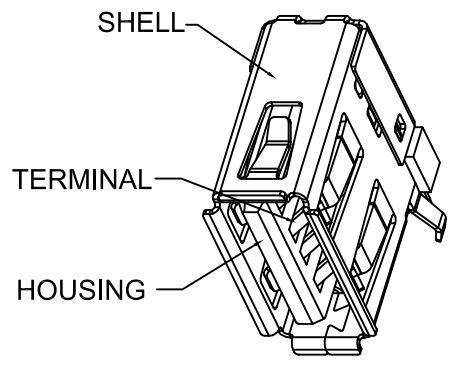
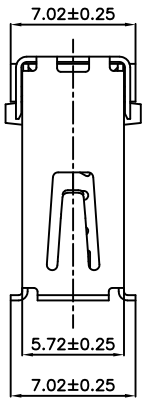
### TUA - S10 A2 B - B x D

Series \_\_\_\_\_  
 Type \_\_\_\_\_  
 Color \_\_\_\_\_  
 B : Black

Shell \_\_\_\_\_  
 D: Nickel Plated

Version \_\_\_\_\_  
 0: Gold Flash  
 1 : 1.1  
 2 : 2.0

Material \_\_\_\_\_  
 B: Thermoplastic



**RECOMMENDED PCB LAYOUT**  
 TOP VIEW  
 TOLERANCE: ±0.05mm  
 PCB THICKNESS: 1.20±0.05mm

△			
△			
△			
△			
△			
SYM	DISCRIPTION	DATE	APPROVED
1			
2			
3			

**TACLEX** TACLEX ELECTRONICS CO., LTD.

TOLERANCES UNLESS OTHERWISE SPECIFIED  
 LINEAR: ±0.30 ANGULAR: ±3°

REVISIONS	A	SCALE 5/1	SIGNATURES	DATE	TITLE
			SKY	2013.03.19	USB TYPE A UPRIGHT DIP
			JAY	2013.03.19	NO.
			AARON	2013.03.19	TUA-S10A2