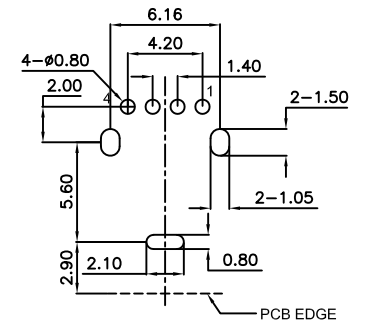
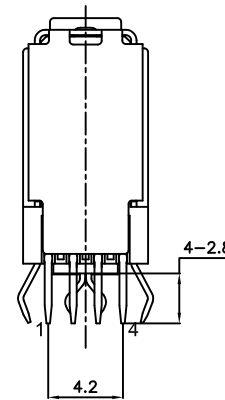
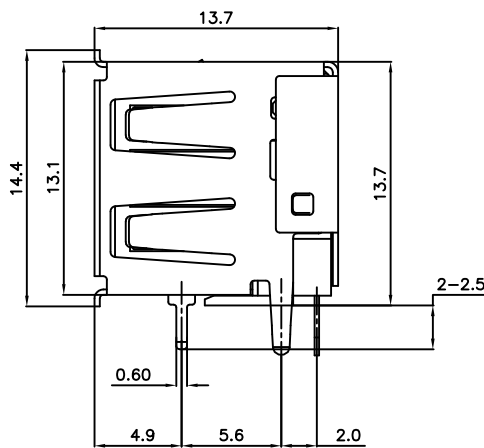
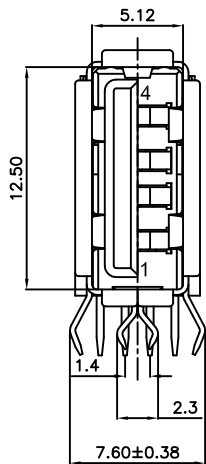
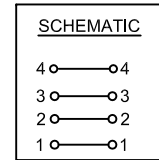
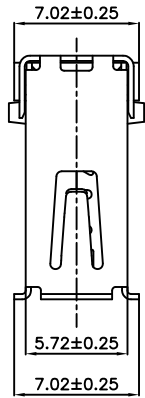
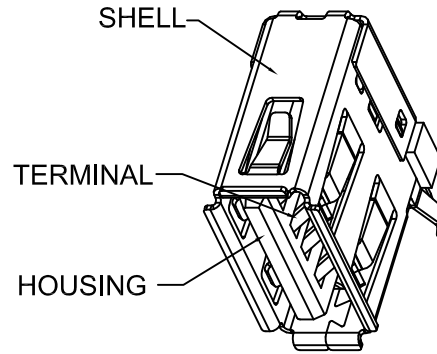


NO.	NAME	MATERIAL	FINISH
1	HOUSING	Thermoplastic	
2	TERMINAL	Copper Alloy	Gold-Tin Plated
3	SHELL	Alloy	Ni Plated

TUA - S10 A1 x - B x C

Series
Type
Color
B : Black
W : White

Shell
D: Nickel Plated
Version
0: Gold Flash
1 : 1.1
2 : 2.0
Material
B: Thermoplastic



**RECOMMENDED PCB LAYOUT
TOP VIEW**
TOLERANCE: ±0.05mm
PCB THICKNESS: 1.20±0.05mm

△			
△			
△			
△			
△			
SYM	DISCIPTION	DATE	APPROVED



TACLEX

TACLEX ELECTRONICS CO., LTD.

TOLERANCES UNLESS OTHERWISE SPECIFIED
LINEAR: ±0.30 ANGULAR: ±3°

SIGNATURES

DATE

TITLE

DRAWN

Sky

2013.03.19

USB TYPE A UPRIGHT DIP

CHK'D

Jay

2013.03.19

NO.

REVISIONS

A



SCALE

5/1

APPV'D

Aaron

2013.03.19

TUA-S10A1