

NO.	NAME	MATERIAL	FINISH
1	HOUSING	High-Thermoplastic	
2	TERMINAL	Copper Alloy	Gold-Plated
3	SHELL	Copper Alloy	Ni-Plated

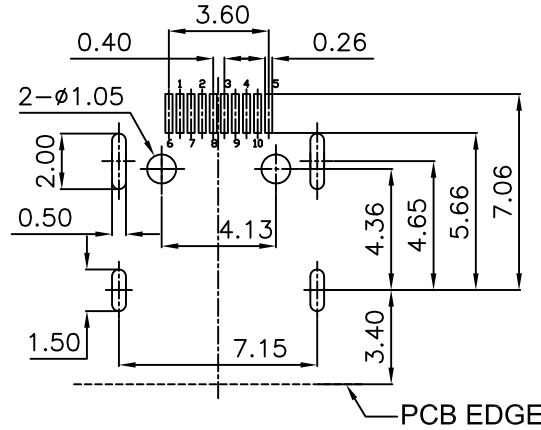
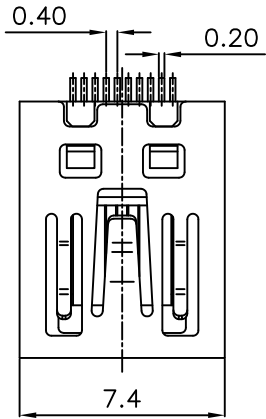
TMU-S30M1 B - P * H - TMR

Series _____
 Type _____
 Color _____
 B : Black

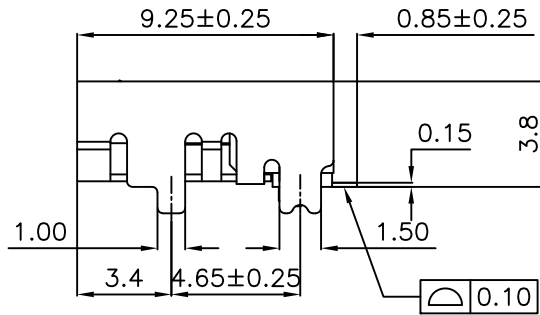
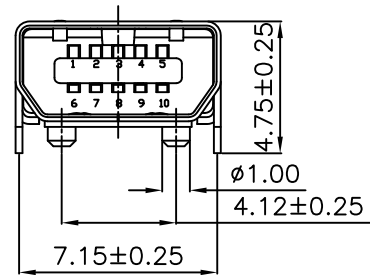
Shell _____
 H : Ni Plated

Version _____
 1 : 1.1
 2 : 2.0

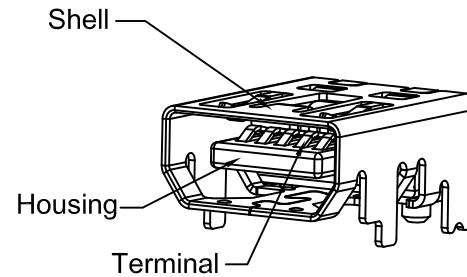
Material _____
 P : High-Thermoplastic



RECOMMENDED PCB LAYOUT
TOP VIEW
TOLERANCE: ±0.05mm
PCB THICKNESS: 0.80±0.05mm



10 PIN端子與外殼腳共面度



△			
△			
△			
△			
△			
SYM	DISCRIPTION	DATE	APPROVED



TACLEX ELECTRONICS CO., LTD.

TOLERANCES UNLESS OTHERWISE SPECIFIED
 LINEAR: ±0.30 ANGULAR: ±3°

SIGNATURES

DATE

TITLE MINI USB, AB TYPE,
10 PIN, SMT

DRAWN Alex

2015.07.08

CHK'D Andy

2015.07.08

APPV'D Rex

2015.07.08

REVISIONS



SCALE

1/1

NO. TMU-S30M1B-P*H-TMR