

NO.	NAME	MATERIAL	FINISH
1	Housing	High-Thermoplastic	
2	Shell	Copper Alloy	Ni Plated
3	Terminal	Copper Alloy	Gold - Tin Plated

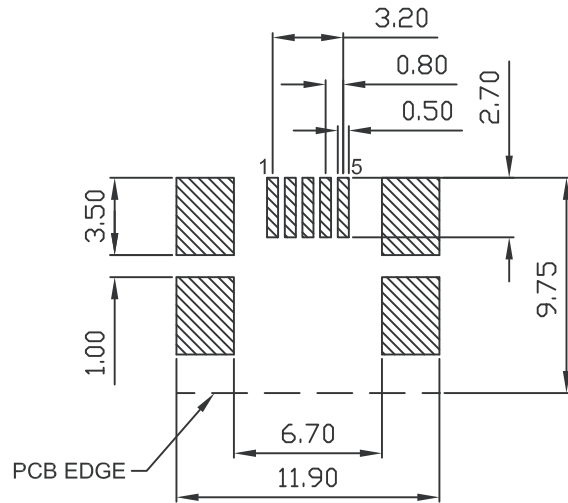
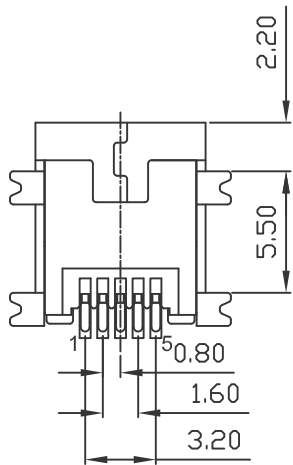
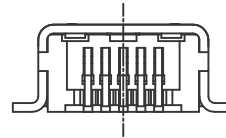
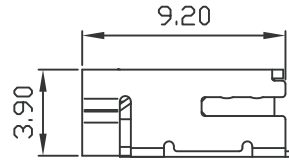
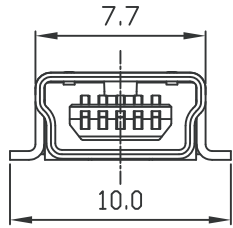
TMU S20M1B - L * N

Series _____
 Type _____
 Color _____
 B : Black

Shell
 N : Nickel Plated

Version
 1 : 1.1
 2 : 2.0

Material
 L : High-Thermoplastic

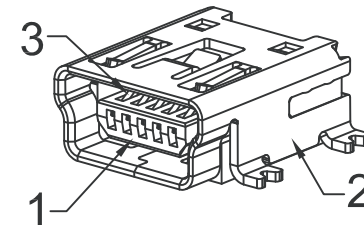


RECOMMENDED PCB LAYOUT

TOP VIEW

TOLERANCE: ±0.05mm

PCB THICKNESS: 0.80±0.05mm



△			
△			
△			
△			
△			
SYM	DISCRIPTION	DATE	APPROVED
1			
2			
3			



TACLEX

TACLEX ELECTRONICS CO., LTD.

TOLERANCES UNLESS OTHERWISE SPECIFIED
 LINEAR: ±0.30 ANGULAR: ±3°

SIGNATURES

DATE

TITLE Mini USB B Type Receptacle
 Horizontal SMT

DRAWN

Alex

2008.11.05

CHK'D

Andy

2008.11.05

APPV'D

Rex

2008.11.05

REVISIONS

A



SCALE

1/1

NO.

TMU-S20M1