

NO.	NAME	MATERIAL	FINISH
1	HOUSING	High-Thermoplastic	
2	TERMINAL	Copper Alloy	Gold Plated
3	SHELL	Alloy	Ni Plated

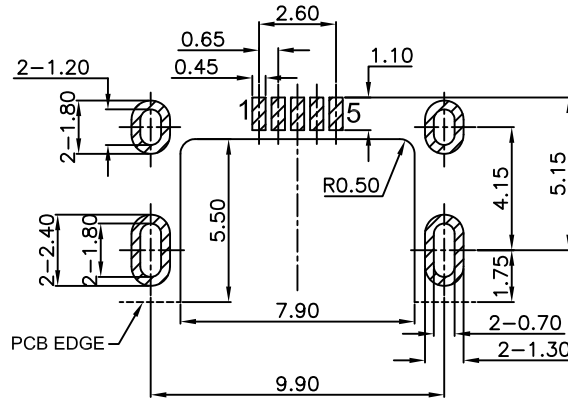
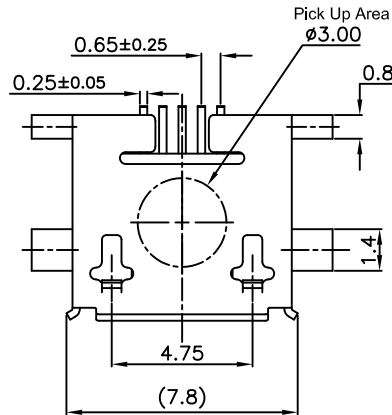
# TCU - S60ME B - L \* S

Series \_\_\_\_\_  
 Type \_\_\_\_\_  
 Color \_\_\_\_\_  
 B : Black

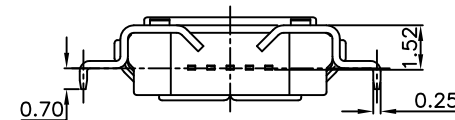
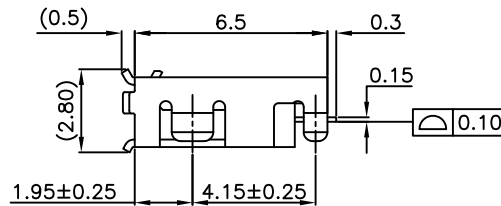
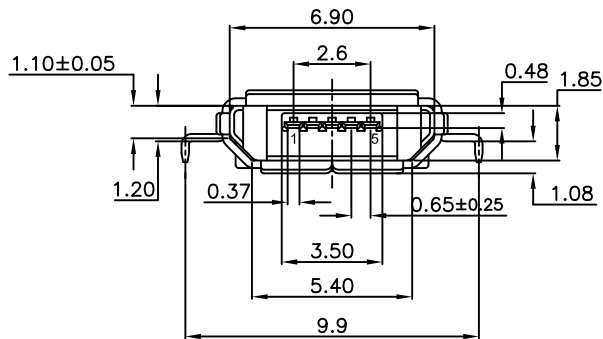
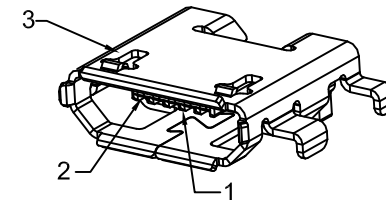
Shell \_\_\_\_\_  
 S : Nickel Plated

Version \_\_\_\_\_  
 1 : 1.1  
 2 : 2.0

Material \_\_\_\_\_  
 L : High-Thermoplastic



RECOMMENDED PCB LAYOUT  
 TOP VIEW  
 TOLERANCE: ±0.05mm  
 PCB THICKNESS: 0.60±0.05mm



△			
△			
△			
△			
△			
SYM	DISCRIPTION	DATE	APPROVED
1			
2			
3			



**TACLEX**

TACLEX ELECTRONICS CO., LTD.

TOLERANCES UNLESS OTHERWISE SPECIFIED  
 LINEAR: ±0.30 ANGULAR: ±3°

SIGNATURES

DATE

TITLE

DRAWN

Alex

2012.12.15

MICRO USB SINK SMT

CHK'D

Andy

2012.12.15

NO.

TCU-S60ME

REVISIONS

A



SCALE

5/1

APPV'D

Rex

2012.12.15