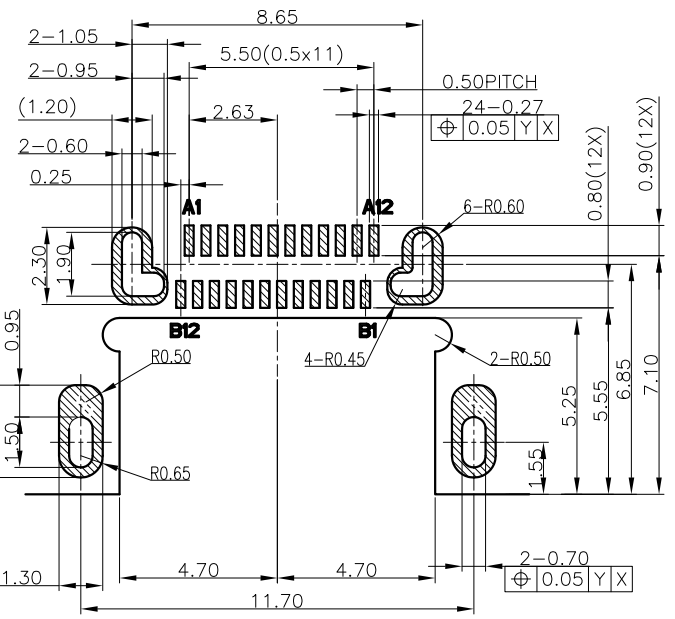
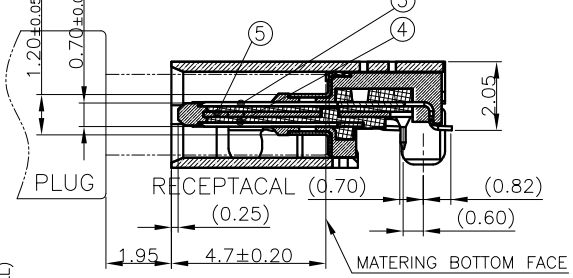
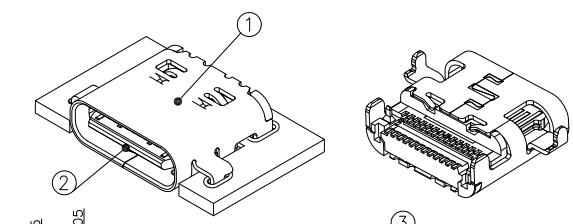
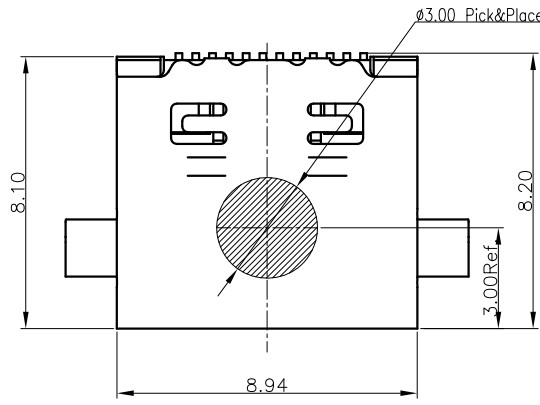


REV.	ECN NO OR DESCRIPTION	REVISED	DATE
A	PROPOSE ONLY	ERIC	2017.03.08

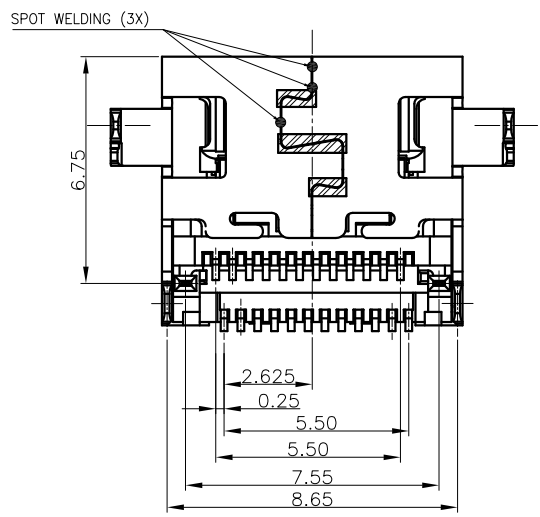
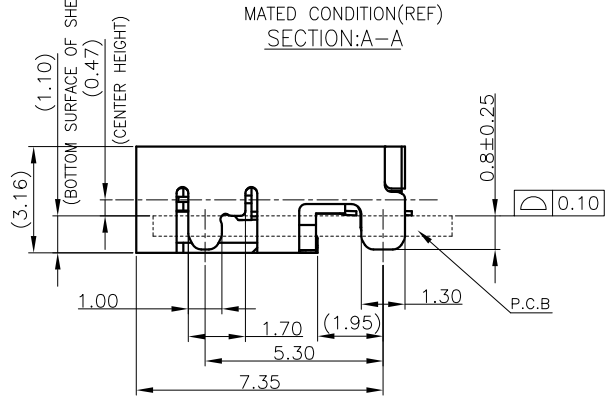
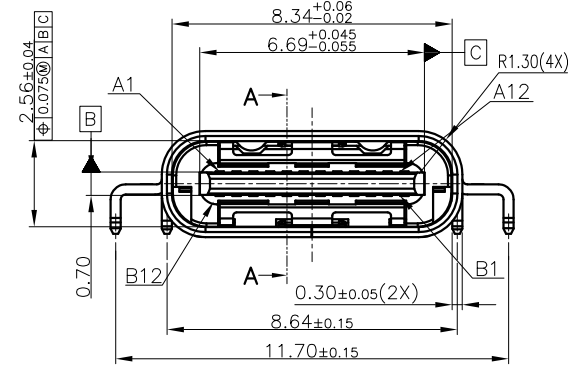
PIN ASSIGNMENTS:

A1	A2	A3	A4	A5	A6	A7	A8	A9	A10	A11	A12
GND	TX1+	TX1-	Vbus	CC1	D+	D-	SBU1	Vbus	RX2-	RX2+	GND
B12	B11	B10	B9	B8	B7	B6	B5	B4	B3	B2	B1
GND	RX1+	RX1-	Vbus	SBU2	D-	D+	CC2	Vbus	TX2-	TX2+	GND



RECOMMENDED P.C.B LAYOUT (COMPONENT SIDE)

PCB THICKNESS: 0.80±0.05mm
DEFAULT TOLERANCE: ±0.05mm



SPECIFICATION:

1.ELECTRICAL CHARACTERISTICS:

1.1 CURRENT RATING: 1.5A/Pin MAX(A4,A9,B4,B9)
1.25A/Pin MAX(A1,A12,B1,B12),0.25A(OHER PIN)

1.2 CONTACT RESISTANCE: 40 MILLIONHM MAX.

1.3 DIELECTRIC WITHSTANDING VOLTAGE: 100 VAC r.m.s

1.4 INSULATION RESISTANCE: 100 MEGOHMS MIN.

2.MECHANICAL CHARACTERISTICS

2.1 INSERTION FORCE: 5~20N

2.2 EXTRACTION FORCE: Initial:8~20N;Durability:6~20N(1000cycles);

2.3 DURABILITY:10,000CYCLES

3.ENVIRONMENTAL CHARACTERISTICS

3.1 TEMPERATURE RANGE: -40 °C ~ 85 °C

3.2. IR REFLOW:

THE PEAK TEMPERATURE ON THE BOARD SHALL BE MAINTAINED FOR 10 SECONDS AT 260°C.

4.PART NO:

TUC 38-20 1 2 24 02-11

TYPE C CONN.

Product Order

20:HEIGHT ON BOARD 2.05mm

1=BLACK HOUSING

2=WITH OUT POST

11= Services NO.

02=3u" Au Plating On Contact Aero

Pin NO. 24=24Pin

⑤	MID PLATE	1 PCS	STAINLESS STEEL	NO SURFACE TREATMENT
④	CONTACT B	1 SET	COPPER ALLOY	Ni 50u" MIN. UNDER PLATED OVER ALL. Au PLATED ON THE FUNCTIONAL AREA OF CONTACT. (GOLD PLATING THICKNESS FOLLOW THE P/N) PLATING SPECIFICATIONS OF THE SOLDER AREA FOLLOW THE P/N
③	CONTACT A	1 SET	COPPER ALLOY	
②	HOUSING	3 PCS	LCP	COLOR: BLACK
①	SHELL	1 PCS	STAINLESS STEEL	Ni 30u" MIN. UNDER PLATED OVER ALL.
NO.	DESCRIPTION	QTY.	MATERIAL	FINISH

UNLESS OTHERWISE SPECIFIED TOLERANCES

TACLEX ELECTRONICS CO., LTD.

DECIMALS:	ANGLES:	TITLE	Type.C 24Pin Dull SMT CONN. RECPTACLE		
X :±0.5	X :±2°	DWN	chenjun	PART NO. TUC38-20122402-11	
X.X :±0.30	X.X :±1°	CHKD	chenjun	SCALE:1:1	UNIT: mm
X.XX :±0.20		APVD	Kevin.d	SIZE: A4	SHEET:1OF1
X.XXX :±0.10					REV: A
DRAW NO. C-DWG-TUC38-01				CUSTOMER COPY	