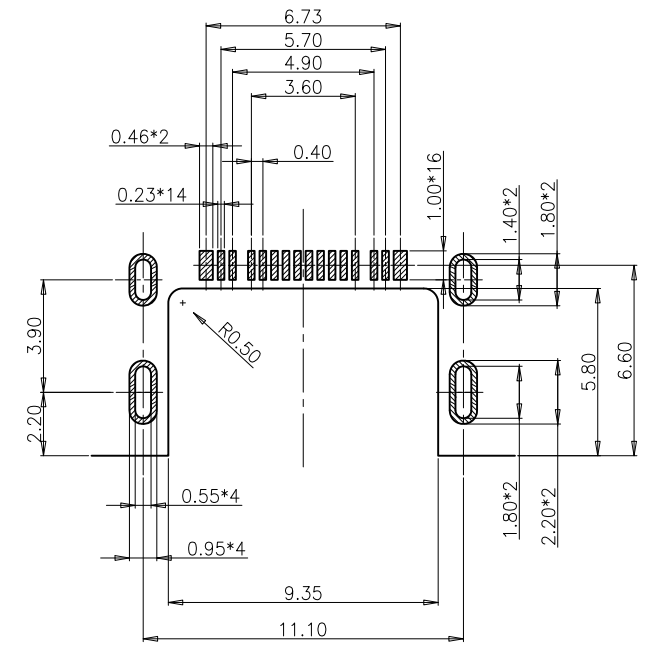
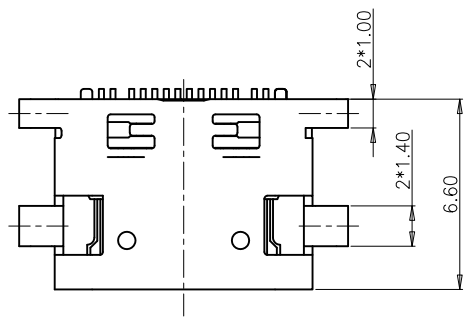


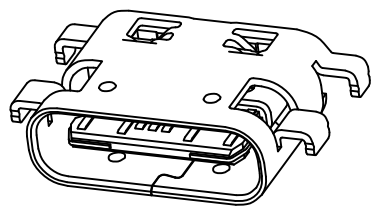
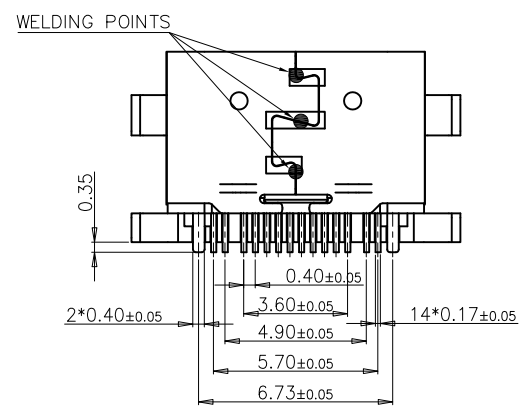
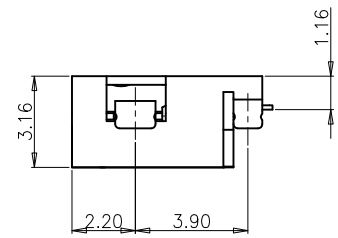
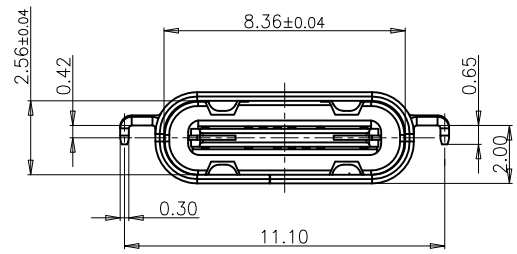


REV.	ECN NO OR DESCRIPTION	REVISED	DATE
A	PROPOSE ONLY	ERIC	2017.03.13

NOTE:
 1.MATERIAL:
 1.1 INSULATOR: HIGH TEMPERATURE PLASTIC UL 94 V-0;
 1.2 CONTACT: COPPER ALLOY(T=0.12mm)
 1.3 SHELL: STAINLESS STEEL(T=0.30mm)
 2.ELECTRICAL CHARACTERISTICS;
 2.1 CONTACT RESISTANCE: 40mΩ Max FOR INITIAL. 10mΩ CHANGE AFTER TEST. MEASURE AT 20mV, 100mA.
 2.2 CONTACT CURRENT RATING: 3A FOR VBUS PIN; 1.25A FOR VCONN PIN.
 2.3 DIELECTRIC WITHSTANDING VOLTAGE: 100V AC R.M.S.
 2.4 INSULATION RESISTANCE 100MΩ Min
 2.5 OPERATING TEMPERATURE: -40°C ~ 85°C
 3 MECHANICAL CHARACTERISTICS:
 3.1 MATING FORCE: 5~20 N.
 3.2 UNMATED FORCE: 8~20N AFTER TEST
 3.3 DURABILITY: 5000 CYCLES



RECOMMENDED PCB PAD LAYOUT
 TOLERANCE:0.05mm



4	CLIP	1	SUS	N/A
3	Contact	1	Copper alloy	Ni plating on the soldering area Au plating on contact area Au plating on soldering area
2	I/M Housing	1	Thermoplastic	Black
1	Shell	1	SUS	Tin plating on the soldering area
Item	P/N	QTY	Material	Treatment

UNLESS OTHERWISE SPECIFIED TOLERANCES



DECIMALS:	ANGLES:
X :±0.5	X :±2°
X.X :±0.20	X.X :±1°
X.XX :±0.10	

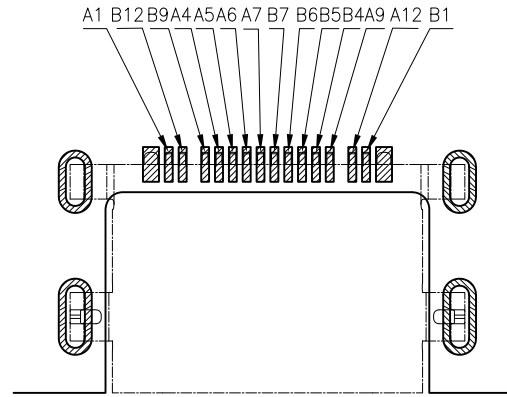
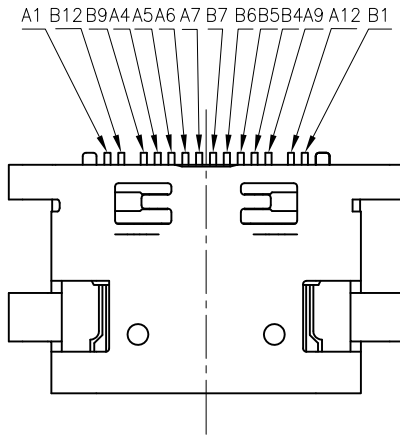
TITLE	(type.C) 14PIN RECPTACLE Conn Asm. low PCB 2.0mm 4DIP TYPE L=6.6MM			
DWN	Johnie	PART NO. TUC -120214-20GBH		
CHKD	Kevin.d	SCALE:1:1	UNIT: mm	
APVD	Simon.Mo	SIZE: A4	SHEET:10F1	REV: A

CUSTOMER COPY

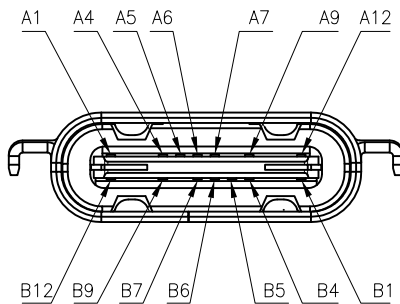


PIN ASSIGNMENT

REV.	ECN NO OR DESCRIPTION	REVISED	DATE
A	PROPOSE ONLY	ERIC	2017.03.13



PCB



NO	NAME	DESCRIPTION	NO	NAME	DESCRIPTION
A1	GND	GROUND RETURN	B12	GND	GROUND RETURN
A4	VBUS	BUS POWER	B9	VBUS	BUS POWER
A5	CC1	CONFUGURATION CHANNEL	B7	DN2	NEGATIVE HALF OF USB 2.0 DIFFERENTIAL PAIR -POSITION1
A6	DP1	POSITIVE HALF OF USB 2.0 DIFFERENTIAL PAIR -POSITION1	B6	DP2	POSITIVE HALF OF USB 2.0 DIFFERENTIAL PAIR -POSITION1
A7	DN1	NEGATIVE HALF OF USB 2.0 DIFFERENTIAL PAIR -POSITION1	B5	CC2	CONFUGURATION CHANNEL
A9	VBUS	BUS POWER	B4	VBUS	BUS POWER
A12	GND	GROUND RETURN	B1	GND	GROUND RETURN

UNLESS OTHERWISE SPECIFIED TOLERANCES					
DECIMALS:	ANGLES:				
X :±0.5	X :±2°	TITLE	(type.C) 14PIN RECPTACLE Conn Asm. low PCB 2.0mm 4DIP TYPE L=6.6MM		
X.X :±0.20	X.X :±1°	DWN	Johnie	PART NO. TUC-120214-20GBH	
X.XX :±0.10		CHKD	Kevin.d	SCALE:1:1	UNIT: mm
		APVD	Simon.Mo	SIZE: A4	SHEET:10F1
					REV: A
CUSTOMER COPY					