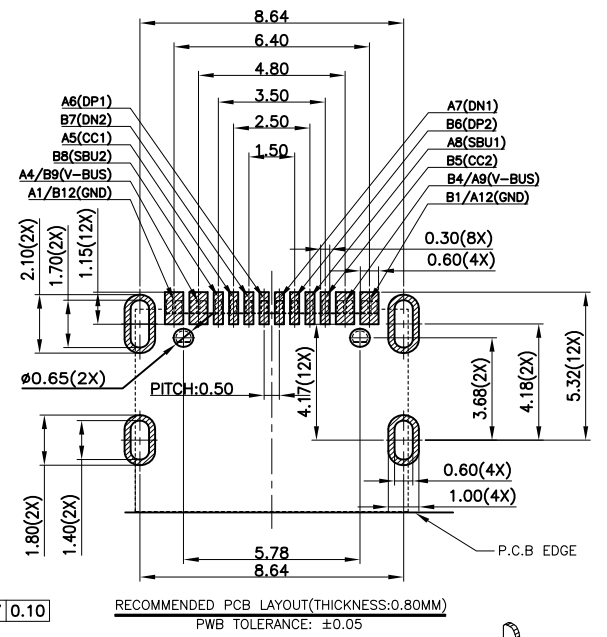
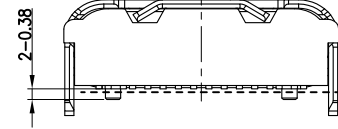
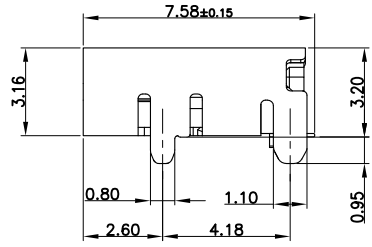
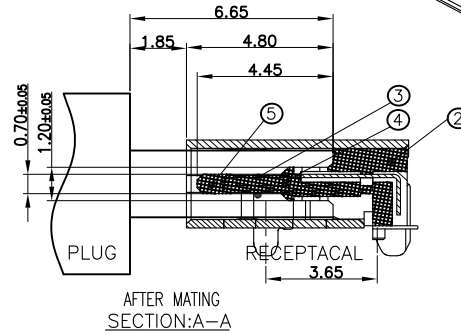
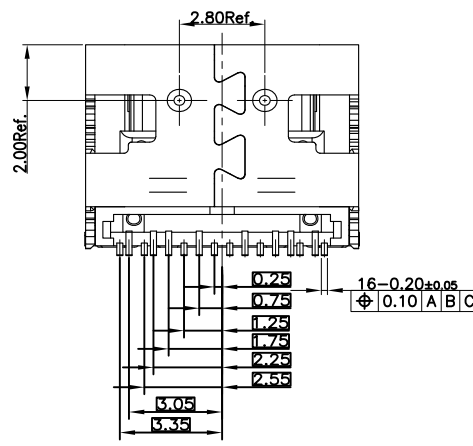
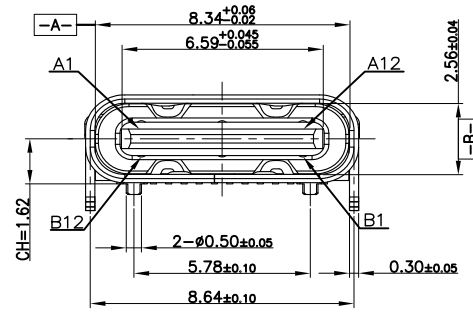
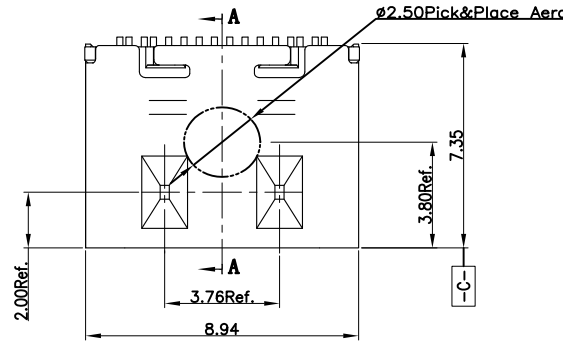


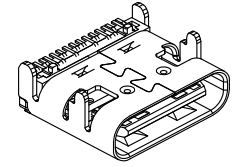


REV.	ECN NO OR DESCRIPTION	REVISED	DATE
A	PROPOSE ONLY	ERIC	2019.05.05



Part NO. Detailed List

ITEM	P/N	LOGO	COLOUR
1	TCR14-32111602-01	With	Black
2	TCR14-32211602-02	With	White
3	TCR14-32111602-03	With Out	Black
4	TCR14-32211602-04	With Out	White



SPECIFICATION:

- ELECTRICAL CHARACTERISTICS:
 - CURRENT RATING: 1.5A/Pin MAX(A4,A9,B4,B9)
1.25A/Pin MAX(A1,A12,B1,B12),0.25A(OHER PIN)
 - CONTACT RESISTANCE: 40 MILLIONHM MAX.
 - DIELECTRIC WITHSTANDING VOLTAGE: 100 VAC r.m.s
 - INSULATION RESISTNAGE: 100 MEGOHMS MIN.
- MECHANICAL CHARACTERISTICS
 - INSERTION FORCE: 5~20N
 - EXTRACTION FORCE: Initial:8~20N;Durability:6~20N(1000cycles);
 - DURABILITY:10,000CYCLES
- ENVIRONMENTAL CHARACTERISTICS
 - TEMPERATURE RANGE: -40 °C ~ 85 °C
 - IR REFLOW:
THE PEAK TEMPERATURE ON THE BOARD SHALL BE MAINTAINED FOR 10 SECONDS AT 260°C.

4.PART NO.:

TCR14-32X11602-XX

TC=TYPE.C CONN.
R=RECEPTACLE
Product Order
32=HEIGHT ON BOARD 3.2mm
2=WHITE HOUSING
1=WITH DULL POST
XX= Servies NO.
SEE Detailed List
02=3u" Au Plating
On Contact Aero
Pin NO. 16=16Pin

NO.	DESCRIPTION	QTY.	MATERIAL	FINISH
5	MID PLATE	1 PCS	STAINLESS STEEL	NO SURFACE TREATMENT
4	CONTACT B	1 SET	C1814	Ni 50u" MIN. UNDER PLATED OVER ALL. Au PLATED ON THE FUNCTIONAL AREA OF CONTACT. (GOLD PLATING THICKNESS FOLLOW THE P/N) PLATING SPECIFICATIONS OF THE SOLDER AREA FOLLOW THE P/N
3	CONTACT A	1 SET	C1814	
2	HOUSING	3 PCS	NYLON 46	COLOR: SEE TABLE
1	SHELL	1 PCS	STAINLESS STEEL	Ni 30u" MIN. UNDER PLATED OVER ALL.

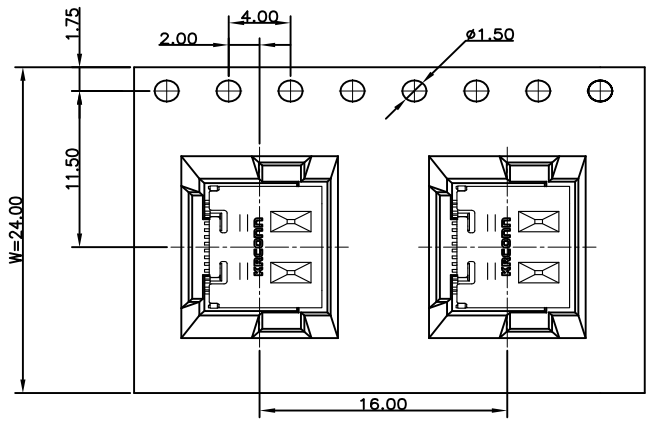
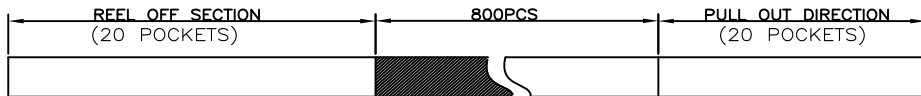
TACLEX TACLEX ELECTRONICS CO., LTD.

REVISIONS	SIGNATURES	DATE	TITLE
A	CHK'D Alex	2019.05.05	Type.C 16PIN L=7.35MM CONN. RECPTACLE
	APPV'D Andy	2019.05.05	NO.
		2019.05.05	TCR14-32111602-01

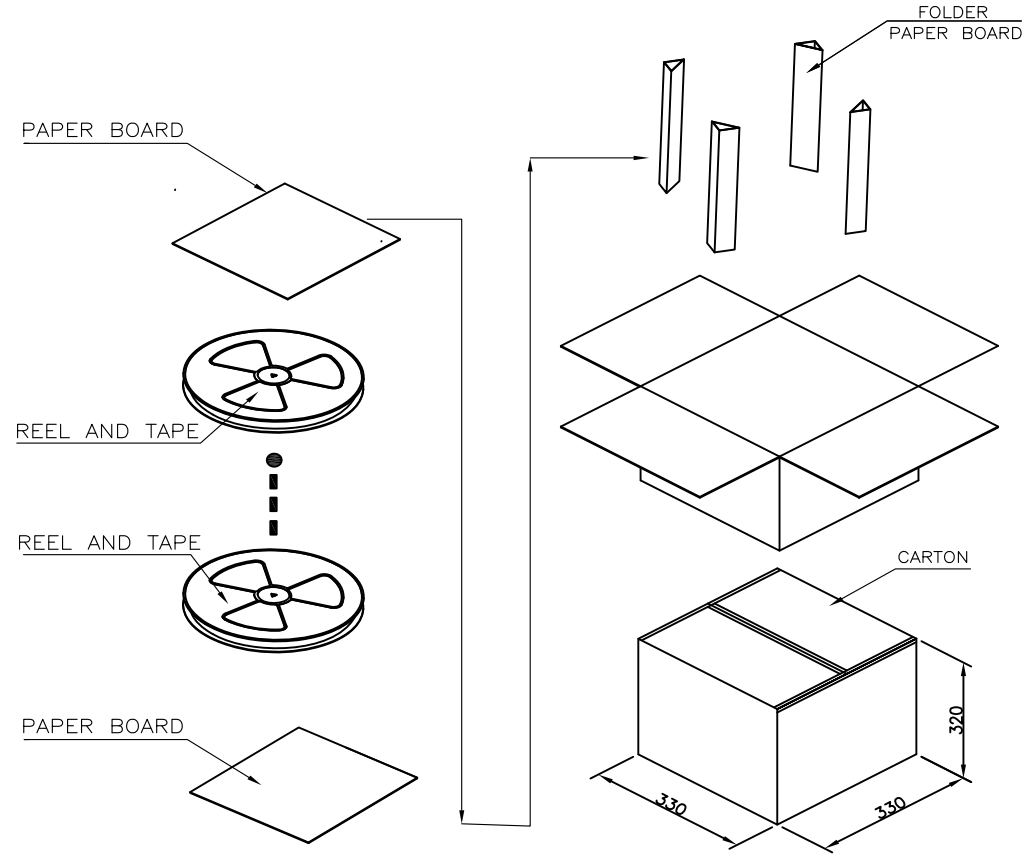
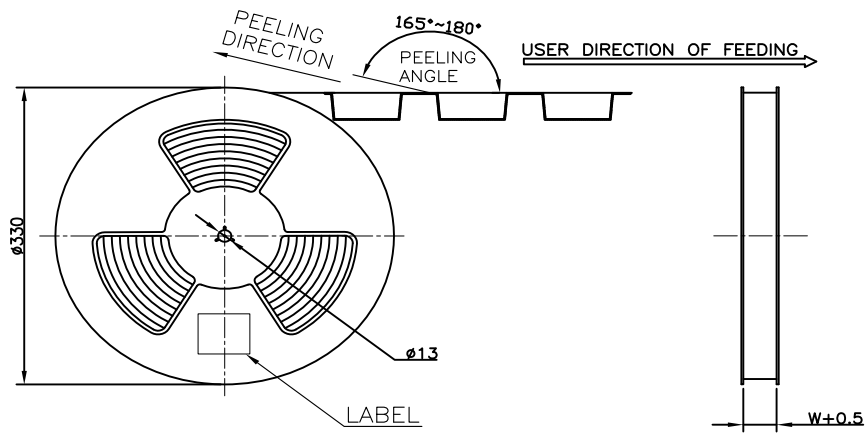
SYM	DISCIPTION	DATE	APPROVED
1			
2			
3			



REV.	ECN NO OR DESCRIPTION	REVISED	DATE
A	PROPOSE ONLY	ERIC	2019.05.05



← PRODUCT PACKAGING DIRECTION
 CUSTOMER TO USE DIRECTION →



CONN. PART NO.	CONN. QTY./REEL	REEL QTY./CARTON	CONN. QTY./CARTON
TCR14-32X11602-XX	800	10	8000 PCS

△			
△			
△			
△			
△			
SYM	DISCRIPTION	DATE	APPROVED
1			
2			
3			

TACLEX TACLEX ELECTRONICS CO., LTD.

DECIMALS: X :±0.5 X.X :±0.30 X.XX :±0.20 X.XXX :±0.10
 ANGLES: X :±2' X.X :±1'

SIGNATURES	DATE	TITLE
DRAWN Alex	2019.05.05	Type.C 16PIN L=7.35MM CONN. RECPTACLE
CHK'D Andy	2019.05.05	NO.
APPV'D Rex	2019.05.05	TCR14-3211602-01

REVISIONS: A

SCALE: 1/1