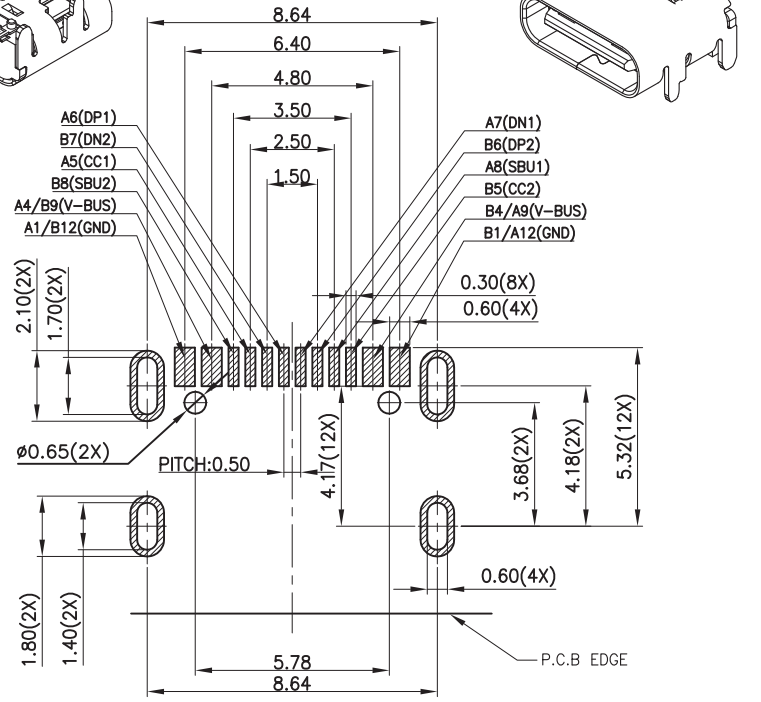
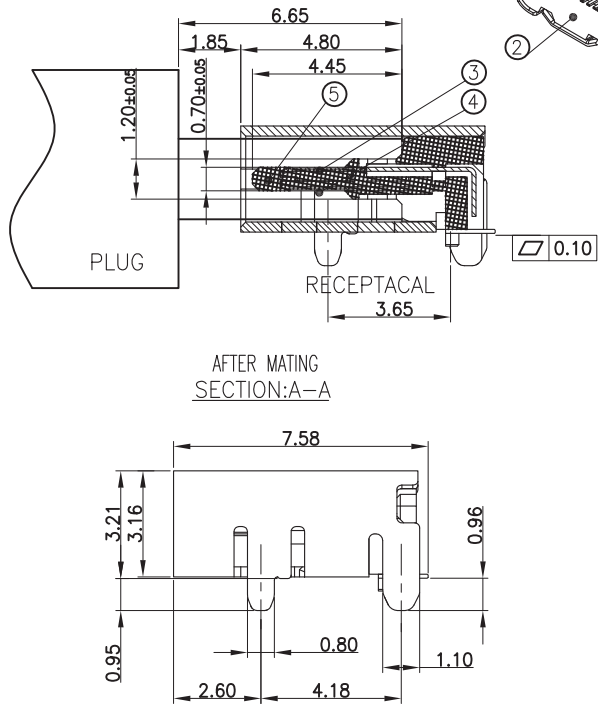
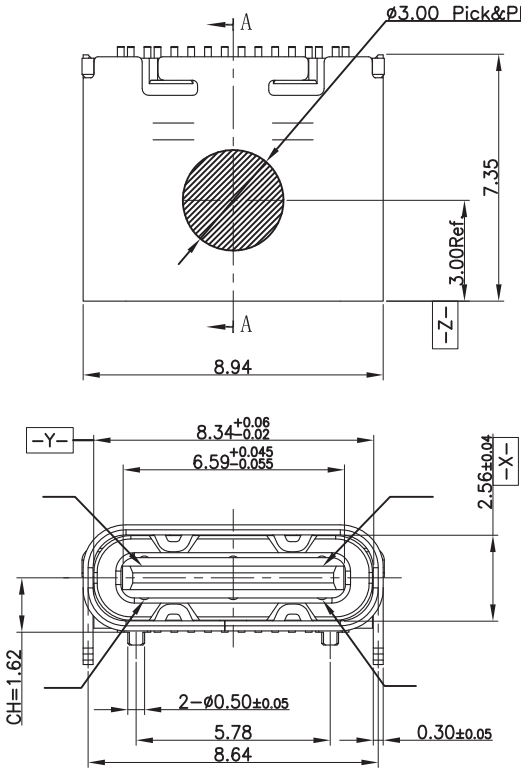


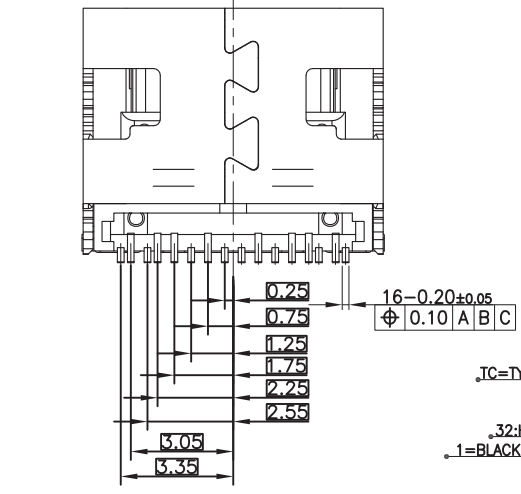
Part NO. Detailed List

ITEM	P/N	LOGO	COLOUR
1	TCR12-32111602-11	With	Black
2	TCR12-32211602-21	With Out	White
3	TCR12-32111602-21	With Out	Black
4	TCR12-32211602-11	With	White

REV.	ECN NO OR DESCRIPTION	REVISED	DATE
A	PROPOSE ONLY	ERIC	2017.03.12



RECOMMENDED PCB LAYOUT(THICKNESS:0.80MM)
PWB TOLERANCE: ±0.05



SPECIFICATION:

- ELECTRICAL CHARACTERISTICS:
 - CURRENT RATING: 1.5A/Pin MAX(A4,A9,B4,B9)
1.25A/Pin MAX(A1,A12,B1,B12),0.25A(OTHER PIN)
 - CONTACT RESISTANCE: 40 MILLIONHM MAX.
 - DIELECTRIC WITHSTANDING VOLTAGE: 100 VAC r.m.s.
 - INSULATION RESISTANCE: 100 MEGOHMS MIN.
- MECHANICAL CHARACTERISTICS
 - INSERTION FORCE: 5~20N
 - EXTRACTION FORCE: Initial:8~20N;Durability:6~20N(1000cycles);
 - DURABILITY:10,000CYCLES
- ENVIRONMENTAL CHARACTERISTICS
 - TEMPERATURE RANGE: -40 °C ~ 85 °C
 - IR REFLOW:
THE PEAK TEMPERATURE ON THE BOARD SHALL BE MAINTAINED FOR 10 SECONDS AT 260°C.

4.PART NO.:

TCR12-32X11602-XX

TC=TYPE.C CONN.
 R=RECEPTACLE
 Product Order
 .32=HEIGHT ON BOARD 3.2mm
 .1=BLACK HOUSING/2=WHITE HOUSING
 .1=WITH DULL POST
 XX= Servies NO.
 SEE Detailed List.
 .02=3u" Au Plating
 On Contact Aera
 Pin NO. 16=16Pin

5	MID PLATE	1 PCS	STAINLESS STEEL	NO SURFACE TREATMENT
4	CONTACT B	1 SET	COPPER ALLOY	Ni 50u" MIN. UNDER PLATED OVER ALL. Au PLATED ON THE FUNCTIONAL AREA OF CONTACT. (GOLD PLATING THICKNESS FOLLOW THE P/N) PLATING SPECIFICATIONS OF THE SOLDER AREA FOLLOW THE P/N
3	CONTACT A	1 SET	COPPER ALLOY	
2	HOUSING	3 PCS	NYLON 46	COLOR: BLACK
1	SHELL	1 PCS	STAINLESS STEEL	Ni 30u" MIN. UNDER PLATED OVER ALL.
NO.	DESCRIPTION	QTY.	MATERIAL	FINISH

UNLESS OTHERWISE SPECIFIED TOLERANCES		TACLEX ELECTRONICS CO., LTD.			
DECIMALS:	ANGLES:	TITLE Type.C 16PIN L=7.35MM CONN. RECP TACLE			
X :±0.5	X :±2°	DWN	Johnie	PART NO. TCR12-32X11602-XX	
X.X :±0.30	X.X :±1°	CHKD	Kevin.d	SCALE:1:1	UNIT: mm
X.XX :±0.20		APVD	Simon.Mo	SIZE: A4	SHEET:10F1
X.XXX :±0.10		DRAW NO.	P-DWG-TC12-01		CUSTOMER COPY