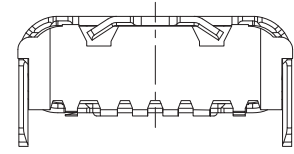
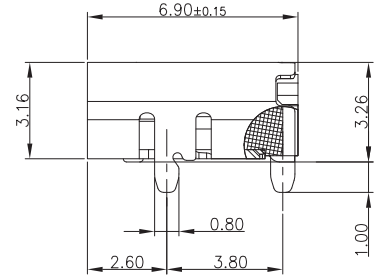
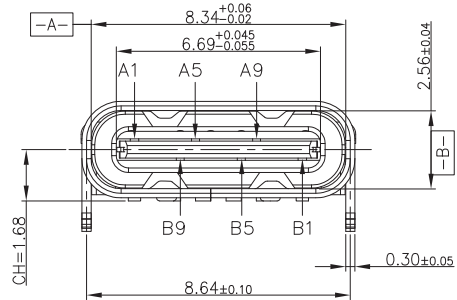
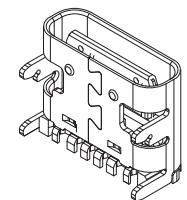


RECOMMENDED PCB LAYOUT(THICKNESS:0.80MM)
 PWB TOLERANCE: ±0.05



Part NO. Detailed List

ITEM	P/N	LOGO	COLOUR	MATERIAL
1	TCR52-32120602-H1	With	Black	PPA
2	TCR52-32220602-H2	With	White	LCP
3	TCR52-32120602-H3	With Out	Black	PPA
4	TCR52-32220602-H4	With Out	White	LCP



SPECIFICATION:

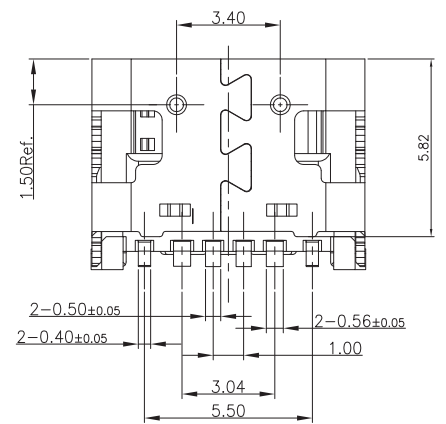
- ELECTRICAL CHARACTERISTICS:
 - CURRENT RATING: 3A/ TOTAL POWER PIN 1.25A/Pin MAX(A1,A12,B1,B12),0.25A(OTHER PIN)
 - CONTACT RESISTANCE: 40 MILLIONHM MAX.
 - DIELECTRIC WITHSTANDING VOLTAGE: 100 VAC r.m.s.
 - INSULATION RESISTANCE: 100 MEGOHMS MIN.
- MECHANICAL CHARACTERISTICS
 - INSERTION FORCE: 5~20N
 - EXTRACTION FORCE: Initial:8~20N;Durability:5~20N(10000cycles);
 - DURABILITY:10,000CYCLES
- ENVIRONMENTAL CHARACTERISTICS
 - TEMPERATURE RANGE: -40 °C ~ 85 °C
 - IR REFLOW:

THE PEAK TEMPERATURE ON THE BOARD SHALL BE MAINTAINED FOR 10 SECONDS AT 260°C.

4.PART NO.:

TC R 52-32 X 2 06 02-HX

TC=TYPE.C CONN.
 R=RECEPTACLE
 Product Order
 32=HEIGHT ON BOARD 3.2mm
 1=BLACK HOUSING 2=WHITE HOUSING
 2=WITHOUT POST
 HX= Services NO. SEE Detailed List
 02=G/F Au Plating On Contact Area
 Pin NO. 06=6Pin

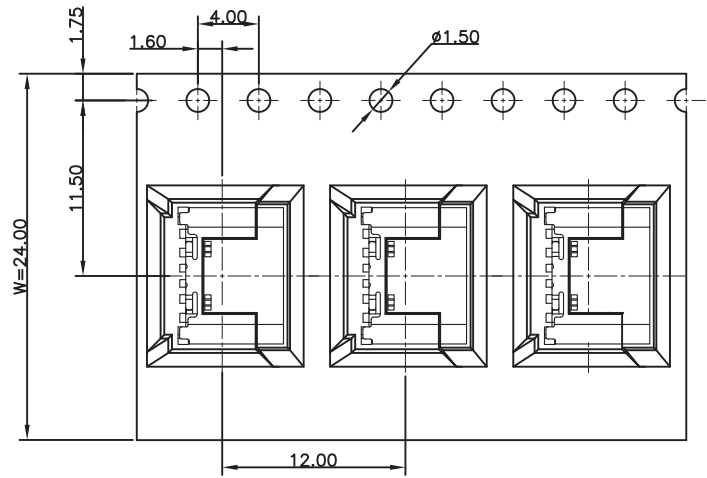
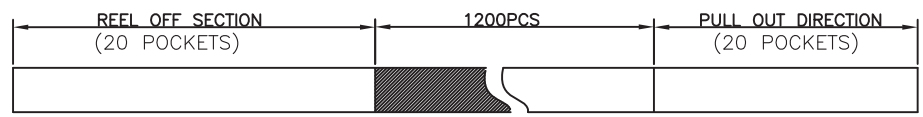


NO.	DESCRIPTION	QTY.	MATERIAL	FINISH
④	CONTACT GND	2 PCS	STAINLESS STEEL	Ni 50u" MIN. UNDER PLATED OVER ALL. Au PLATED ON THE FUNCTIONAL AREA OF CONTACT.
③	CONTACT A	1 SET	COPPER OLLAY	Ni 50u" MIN. UNDER PLATED OVER ALL. Au PLATED ON THE FUNCTIONAL AREA OF CONTACT.
②	HOUSING	1 PCS	THERMOPLASTIC	COLOR: SEE TABLE
①	SHELL	1 PCS	STAINLESS STEEL	Ni 30u" MIN. UNDER PLATED OVER ALL.

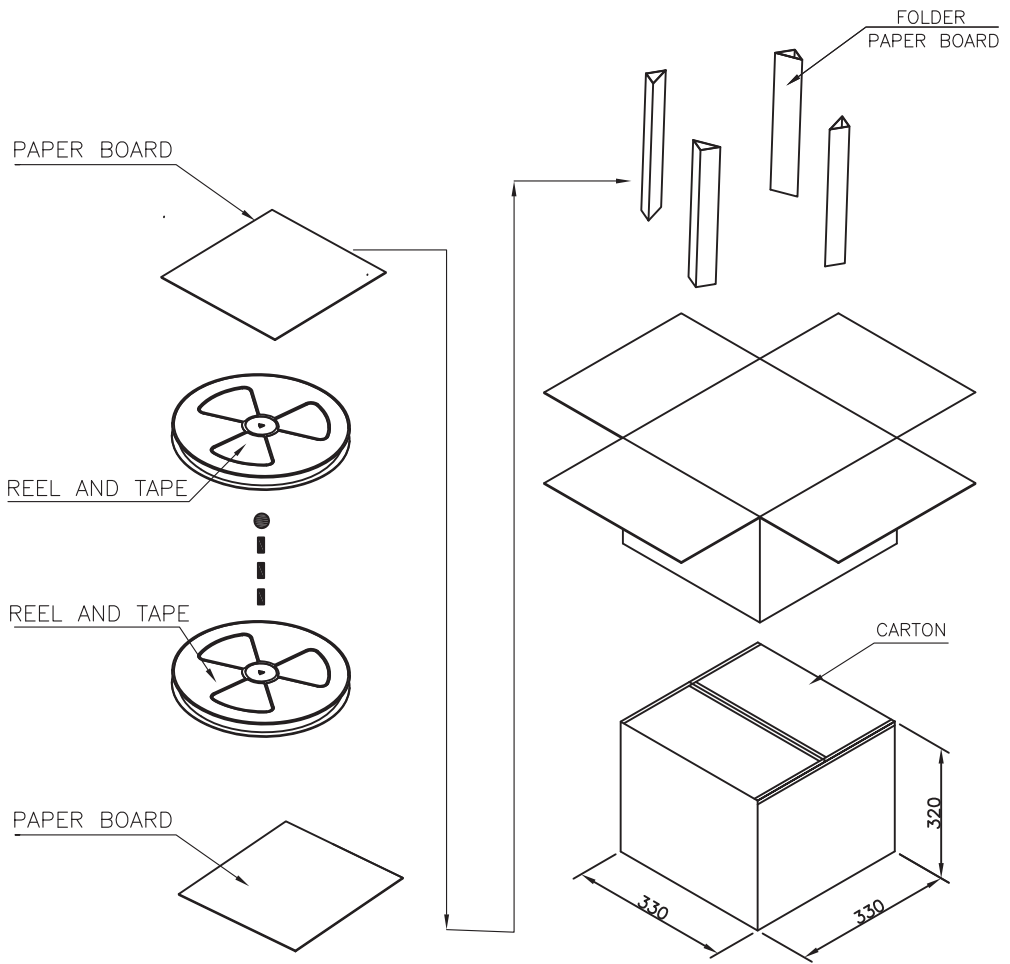
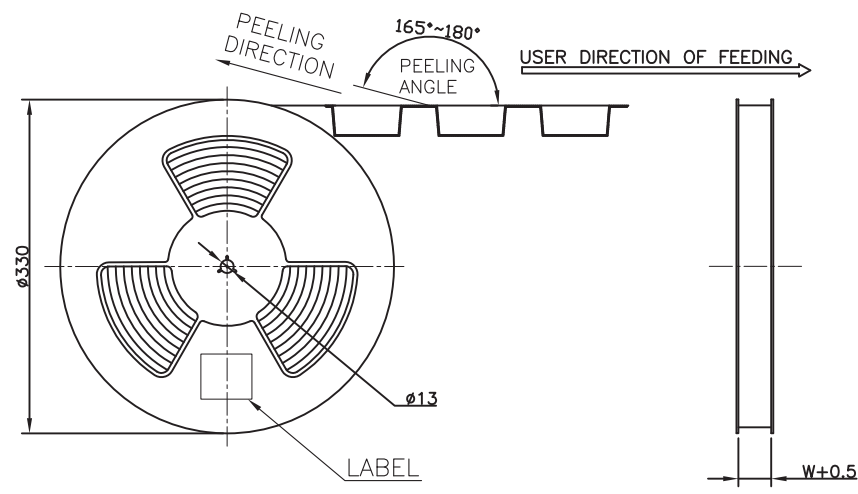
UNLESS OTHERWISE SPECIFIED TOLERANCES		TACLEX TACLEX ELECTRONICS CO., LTD.			
DECIMALS:	ANGLES:	TITLE	Type.C 6PIN L=6.9MM CONN. RECPTACLE		
X ±0.5	X ±2°	DWN	Johnie	PART NO. TCR52-32X20602-HX	
X.X ±0.30	X.X ±1°	CHKD	Kevin.d	SCALE:1:1	UNIT: mm
X.XX ±0.20		APVD	Simon.Mo	SIZE: A4	SHEET:10F1
X.XXX ±0.10		DRAW NO.	C-DWG-TC52-03		CUSTOMER COPY



REV.	ECN NO OR DESCRIPTION	REVISED	DATE
A	PROPOSE ONLY	ERIC	2019.09.05



← PRODUCT PACKAGING DIRECTION
 CUSTOMER TO USE DIRECTION →



CONN. PART NO.	CONN. QTY./REEL	REEL QTY./CARTON	CONN. QTY./CARTON
TCR52-32X20602-HX	1200	10	12000 PCS

UNLESS OTHERWISE SPECIFIED TOLERANCES

TACLEX TACLEX ELECTRONICS CO., LTD.

DECIMALS:	ANGLES:	TITLE Type.C 6PIN L=6.9MM CONN. RECPTACLE		
X :±0.5	X :±2°	DWN	Johnie	PART NO. TCR52-32X20602-HX
X.X :±0.30	X.X :±1°	CHKD	Kevin.d	SCALE:1:1 UNIT: mm
X.XX :±0.20		APVD	Simon.Mo	SIZE: A4 SHEET:10F1 REV: A
X.XXX :±0.10		DRAW NO. C-DWG-TC52-03		CUSTOMER COPY