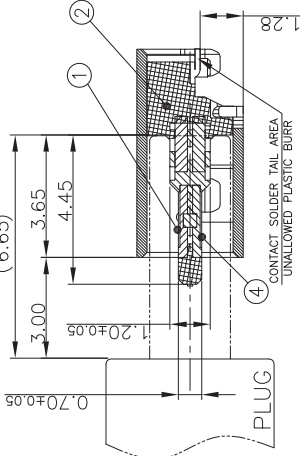
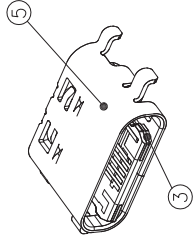
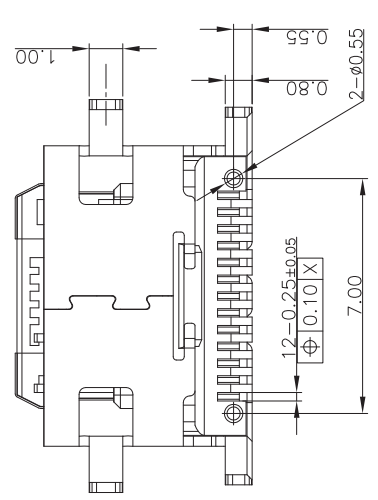
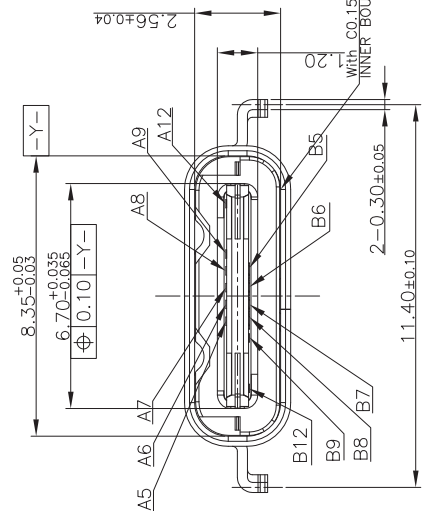
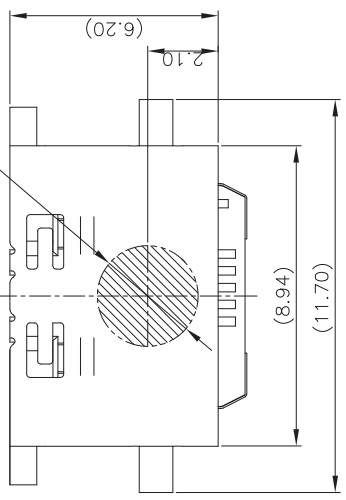


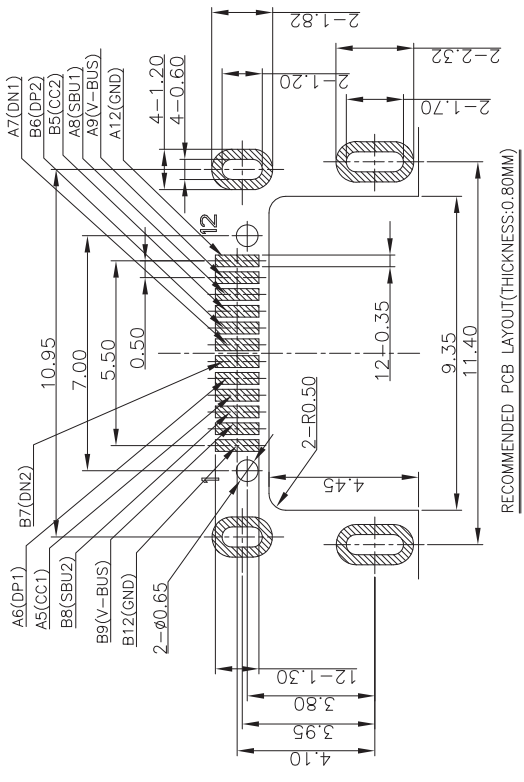
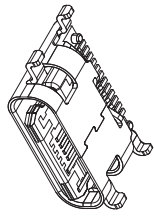
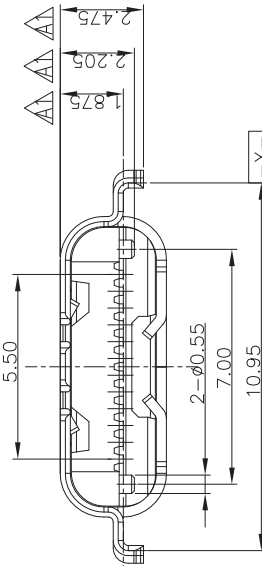
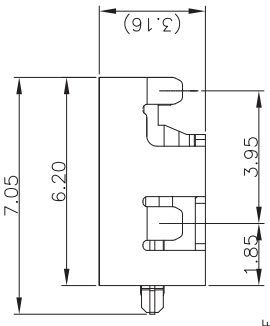


REV.	ECN NO OR DESCRIPTION	REVISED	DATE
A	PROPOSE ONLY	ERIC	2018.09.02

ø3.00 Pick&Place_Aerg



AFTER MATING SECTION:A-A

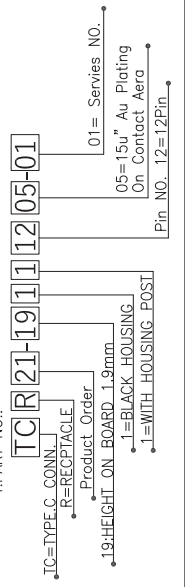


RECOMMENDED PCB LAYOUT(THICKNESS:0.80MM)
PWB TOLERANCE: ±0.05

SPECIFICATION.

- CURRENT RATING:
TOTALLY 3A MAX FOR PIN A12 AND B12;
TOTALLY 3A MAX FOR PIN A9 AND B9;
0.25A MAX PER PIN FOR OTHER PINS.
 - VOLTAGE:
30V AC RMS/DC
40mV MAX INITIAL
 - CONTACT RESISTANCE:
1.4 DIELECTRIC WITHSTANDING VOLTAGE:
100V AC RMS
 - INSULATION RESISTANCE: 100MΩ MIN.
 - MECHANICAL:
MATING FORCE 25N MAX
UNMATING FORCE 8N MIN
 - DURABILITY: 1000CYCLES
 - OPERATING TEMPERATURE RANGE:
-40 °C ~ 85 °C
2. PART MUST COMPLY WITH ROHS SPECIFICATION.

4. PART NO.:



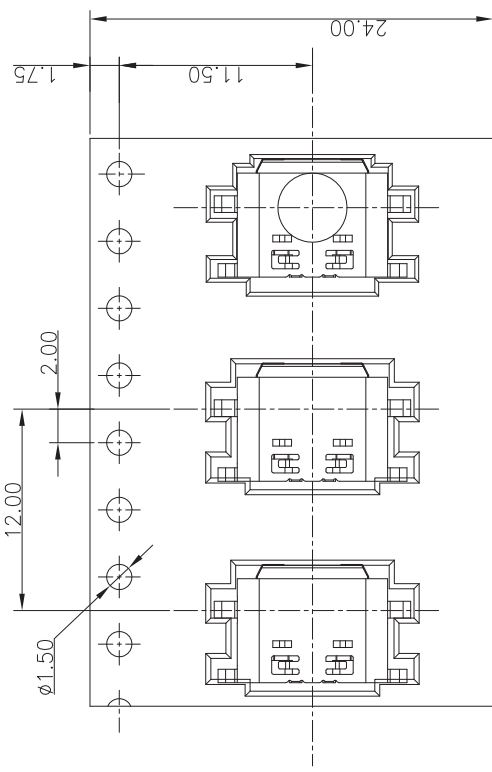
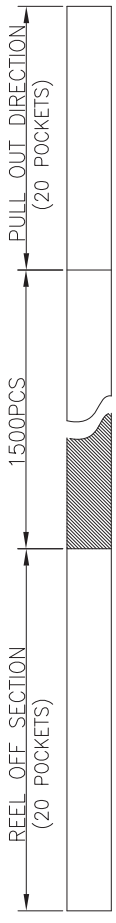
5	SHELL	1PCS	STAINLESS STEEL	80u" MIN SOLDERABLE NICKEL
4	CONTACT 2	1SET	COPPER ALLOY	GOLD 150" PLATED ON CONTACT AREA AND GOLD FLASH ON SOLDER TAILS OVER 80u" NICKEL UNDERPLATING OVERALL
3	MID-PLATE	1PCS	STAINLESS STEEL	NO PLATING
2	HOUSING	1PCS	THERMOPLASTIC	BLACK COLOR, UL94 V-0
1	CONTACT 1	1SET	COPPER ALLOY	GOLD 150" PLATED ON CONTACT AREA AND GOLD FLASH ON SOLDER TAILS OVER 80u" NICKEL UNDERPLATING OVERALL
ITEM	PART NAME	Q'TY	MATERIAL	FINISH

TACLEX ELECTRONICS CO., LTD.

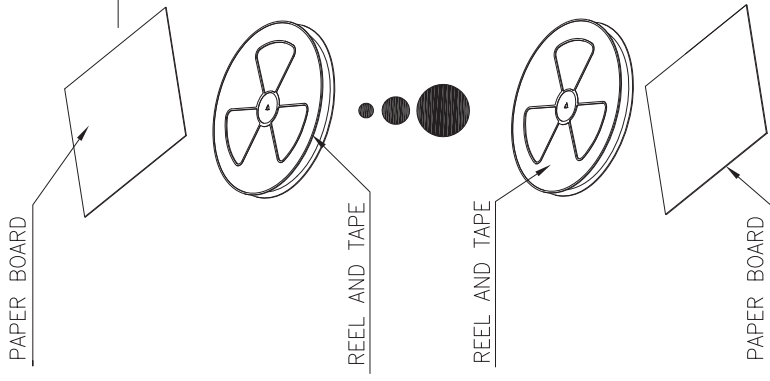
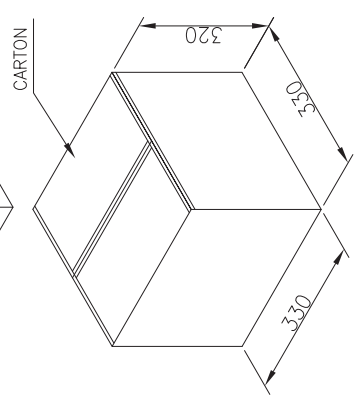
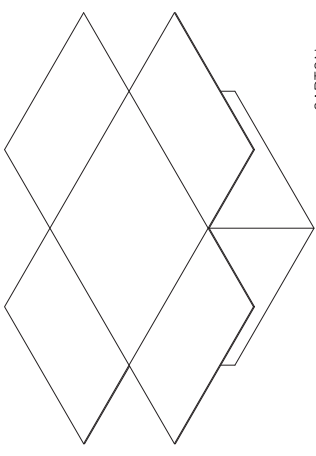
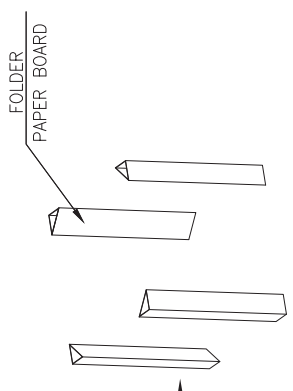
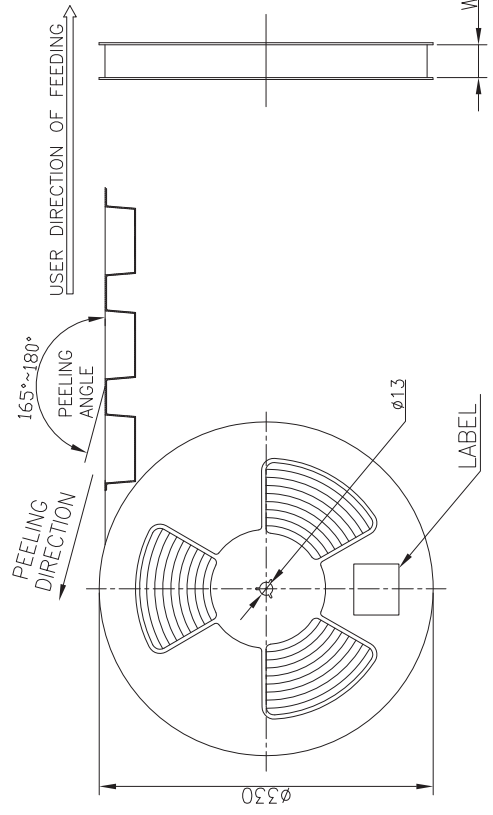
UNLESS OTHERWISE SPECIFIED TOLERANCES	TITLE	Type.C	12PIN SMT CONN.	RECEPTACLE
DECIMALS:	ANGLES:	DWN	chenjun	PART NO. TCR21-19111205-01
X : ±0.5	X : ±2°	CHKD	chenjun	SCALE: 1:1
X.X : ±0.30	X.X : ±1'	APVD	Kevin.d	SIZE: A4
X.XX : ±0.20				SHEET: 10F1
X.XXX : ±0.10				REV: A
				CUSTOMER COPY



REV.	ECN NO OR DESCRIPTION	REVISED	DATE
A	PROPOSE ONLY	ERIC	2018.09.02



PRODUCT PACKAGING DIRECTION
CUSTOMER TO USE DIRECTION



CONN. PART NO.	CONN. QTY./REEL	REEL QTY./CARTON	CONN. QTY./CARTON
TCR21-19111205-01	1500	10	15000 PCS

UNLESS OTHERWISE SPECIFIED TOLERANCES

DECIMALS:	ANGLES:	TITLE	Type.C	12PIN	SMT	CONN.	RECPTACLE
X :±0.5	X :±2°	DWN	chenjun	PART NO.	TCR21-19111205-01		
X.X :±0.30	X.X :±1°	CHKD	chenjun	SCALE:1:1	UNIT:	mm	
X.XX :±0.20	X.XX :±0.20	APVD	Kevin.d	SIZE:	A4	SHEET:10F1	REV: A
X.XXX :±0.10							CUSTOMER COPY

TACLEX ELECTRONICS CO., LTD.