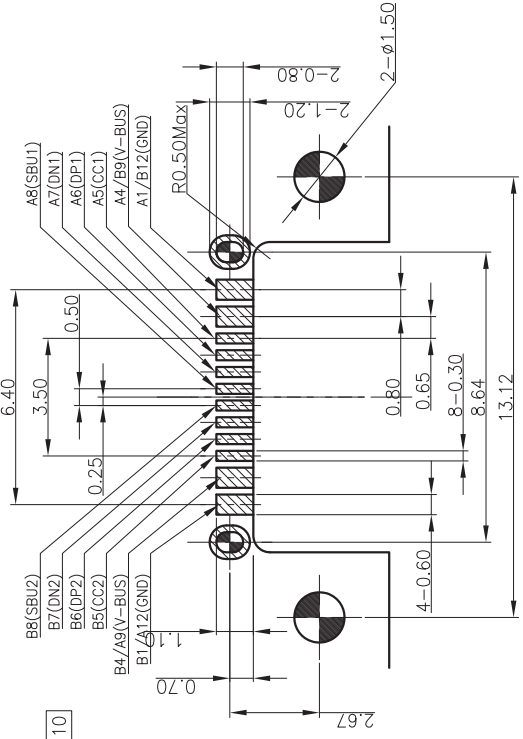
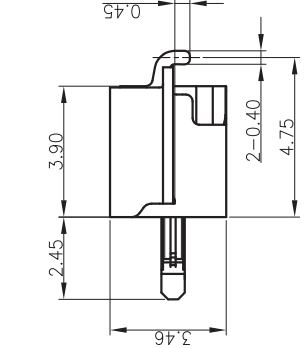
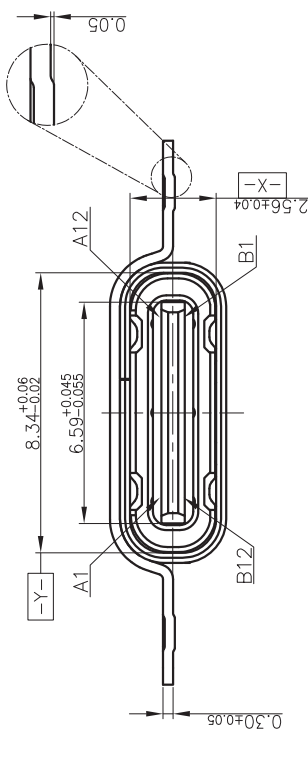
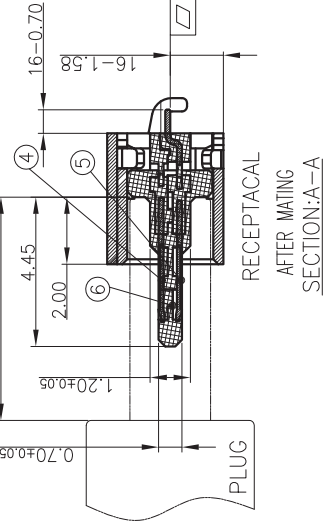
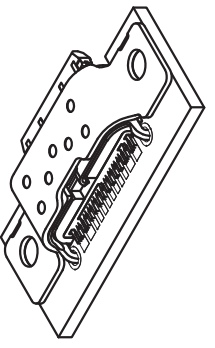
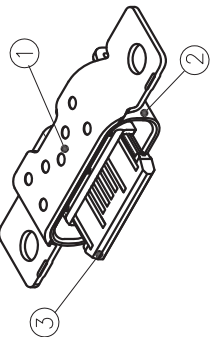
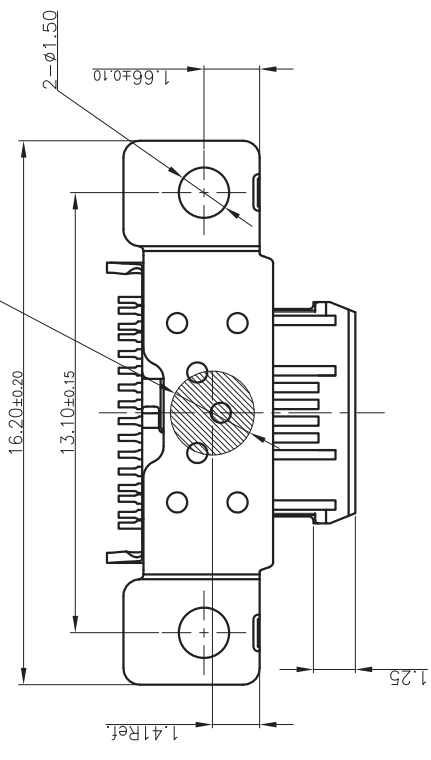




Part NO. Detailed List

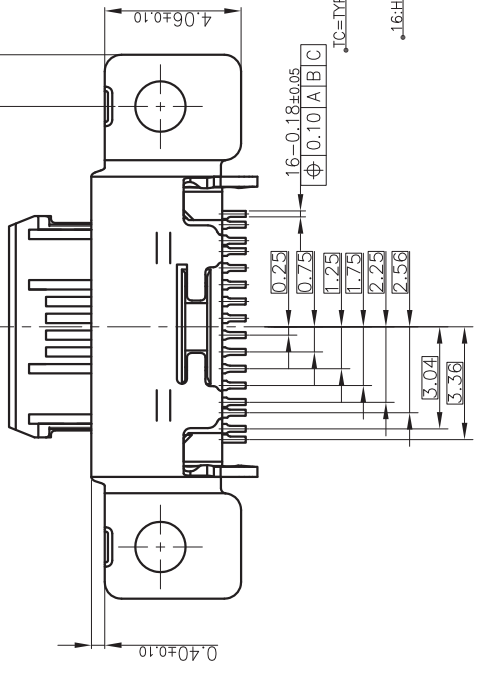
ITEM	P/N	LOGO
1	TCR32-16121602-01	With
2	TCR32-16121602-02	With Out



SPECIFICATION:

- ELECTRICAL CHARACTERISTICS:
 - CURRENT RATING: 1.5A/Pin MAX(A4,A9,B4,B9) 1.25A/Pin MAX(A1,A12,B1,B12) 0.25A(OTHER PIN)
 - CONTACT RESISTANCE: 40 MILLIONHM MAX.
 - DIELECTRIC WITHSTANDING VOLTAGE: 100 VAC r.m.s
 - INSULATION RESISTANCE: 100 MEGOHMS MIN.
- MECHANICAL CHARACTERISTICS
 - INSERTION FORCE: 5~20N
 - EXTRACTION FORCE: Initial:8~20N;Durability:6~20N(1000cycles)
 - DURABILITY:10,000CYCLES
 - ENVIRONMENTAL CHARACTERISTICS
 - TEMPERATURE RANGE: -40 °C ~ 85 °C
 - IR REFLOW: THE PEAK TEMPERATURE ON THE BOARD SHALL BE MAINTAINED FOR 10 SECONDS AT 260°C.
- PART NO.: TCR 32-16121602-XX
 - TC=TYPE-C CONN.
 - R=RECEPTACLE
 - Product Order: XX= Services NO. SEE Detailed List.
 - 02=3u" Au Plating On Contact Area
 - 1=BLACK HOUSING
 - 2=WITH OUT POST [Pin No., 16=16Pin]
- RECEPTACAL AFTER MATING SECTION:A-A

RECOMMENDED PCB LAYOUT(THICKNESS:0.80MM)
PWB TOLERANCE: ±0.05

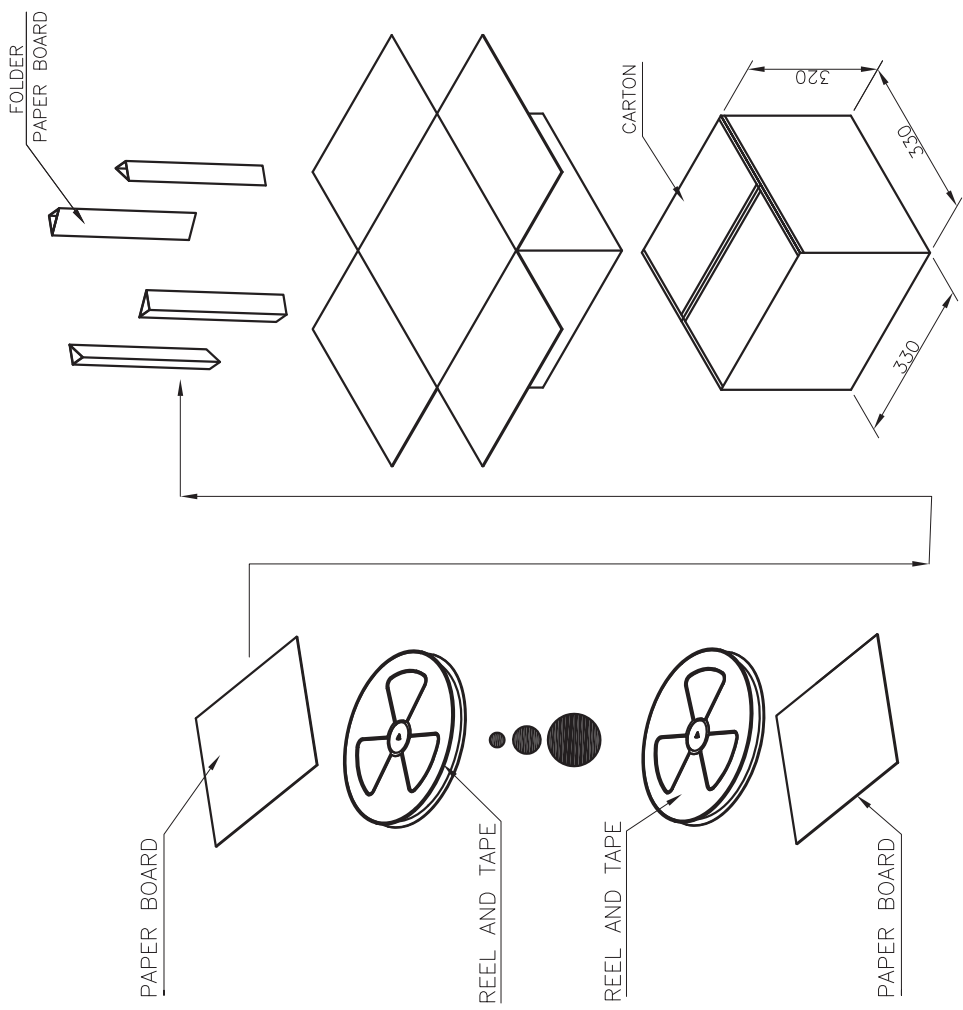
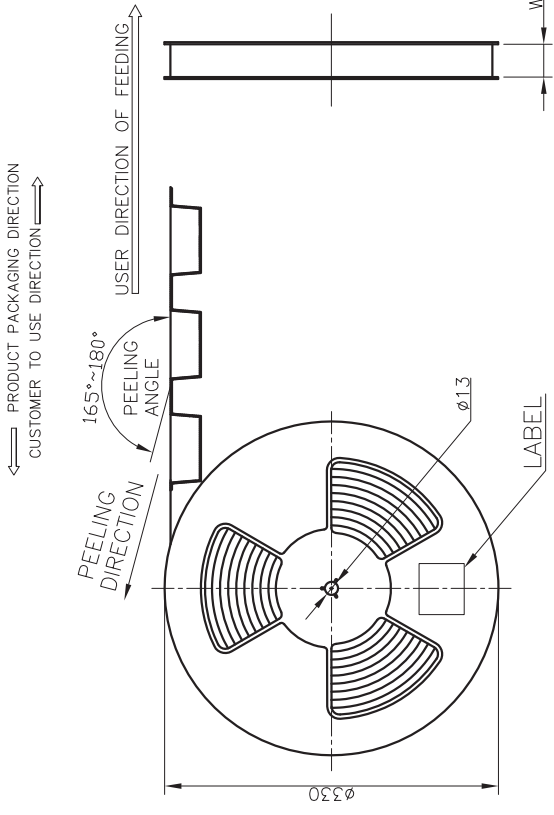
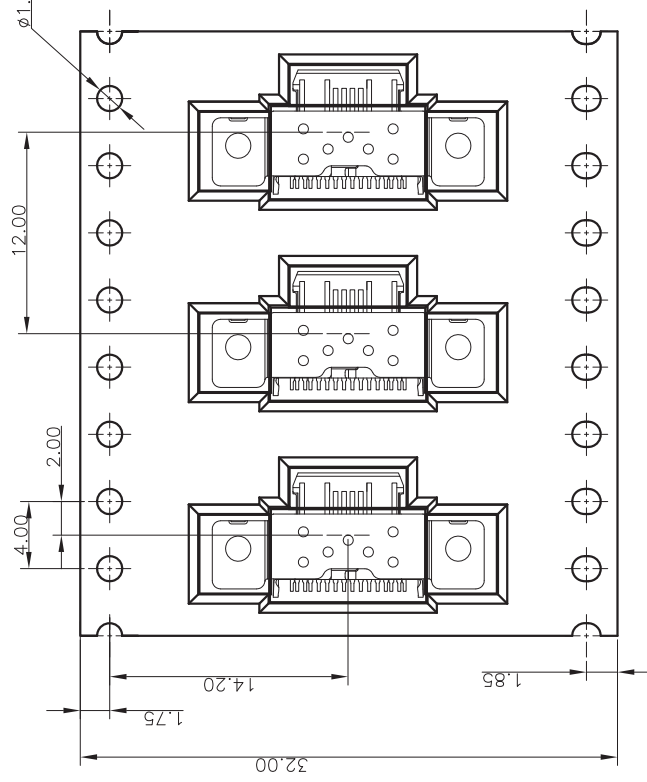
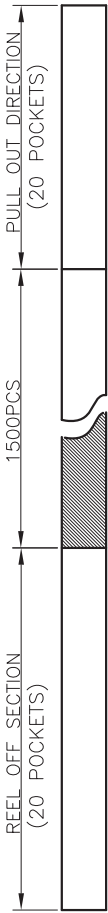


NO.	DESCRIPTION	QTY.	MATERIAL	FINISH
⑥	MID PLATE	1 PCS	STAINLESS STEEL	NO SURFACE TREATMENT
⑤	CONTACT B	1 SET	COPPER ALLOY	Ni 50u" MIN. UNDER PLATED OVER ALL. Au PLATED ON THE FUNCTIONAL AREA OF CONTACT.
④	CONTACT A	1 SET	COPPER ALLOY	(GOLD PLATING THICKNESS FOLLOW THE P/N) PLATING SPECIFICATIONS OF THE SOLDER AREA FOLLOW THE P/N
③	HOUSING	3 PCS	NYLON 46	COLOR: BLACK
②	SHELL	1 PCS	STAINLESS STEEL	Ni 30u" MIN. UNDER PLATED OVER ALL.
①	COVER SHELL	1 PCS	STAINLESS STEEL	Ni 30u" MIN. UNDER PLATED OVER ALL.

UNLESS OTHERWISE SPECIFIED TOLERANCES		TACLEX ELECTRONICS CO., LTD.	
DECIMALS:	ANGLES:	TITLE	Type.C 16PIN Dual SMT CONN. RECEPTACLE
X : ±0.5	X : ±2°	DWN	Johnie PART NO. TCR32-16121602-XX
X.X : ±0.30	X.X : ±1°	CHKD	Kevin.d SCALE:1:1 UNIT: mm
X.XX : ±0.20	X.XX : ±0.10	APVD	Simon.Mo SIZE: A4 SHEET:10F1 REV: A
X.XXX : ±0.10		DRAW NO.	P-DWG-TC32-01 CUSTOMER COPY



REV. A	ECN NO. OR DESCRIPTION PROPOSE ONLY	REVISED ERIC	DATE 2018.12.08
--------	--	-----------------	--------------------



CONN. PART NO.	CONN. QTY./REEL	REEL QTY./CARTON	CONN. QTY./CARTON
TCR32-16121602-XX	1500	10	15000 PCS

UNLESS OTHERWISE SPECIFIED TOLERANCES

DECIMALS: ANGLES:

X :±0.5 X :±2°

X.X :±0.30 X.X :±1°

X.XX :±0.20

X.XXX :±0.10

TACLEX ELECTRONICS CO., LTD.			
TITLE	Type.C 16PIN Dual SMT CONN.	RECPTACLE	
DWN	chenjun	PART NO. TCR32-16121602-XX	
CHKD	chenjun	SCALE:1:1	UNIT: mm
APVD	Kevin.d	SIZE: A4	SHEET:10F1
DRAW NO. P-DWG-TC30-01		CUSTOMER COPY	