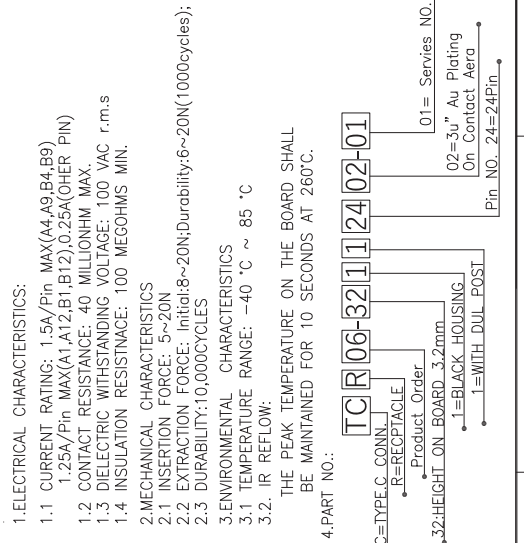
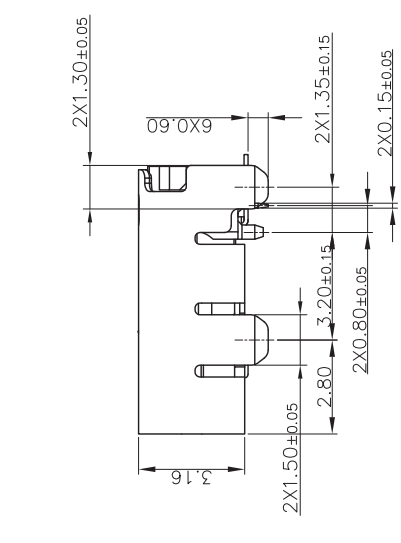
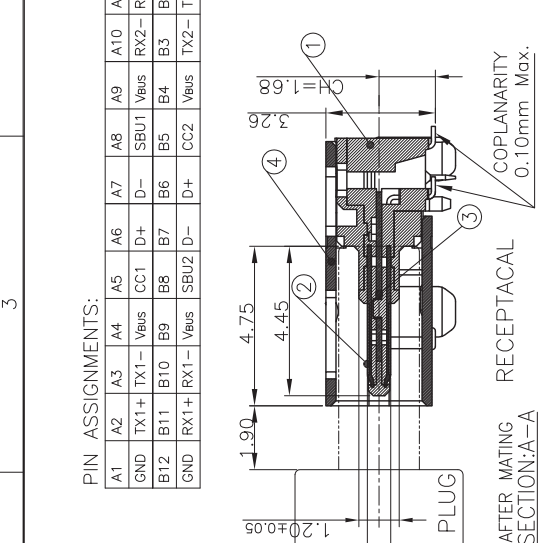
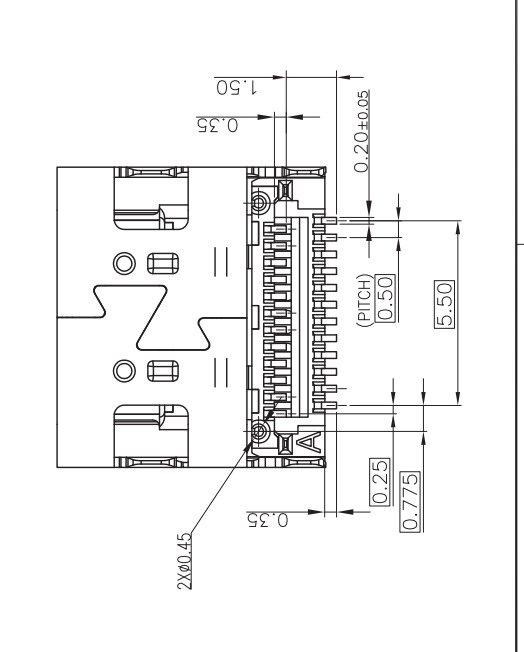
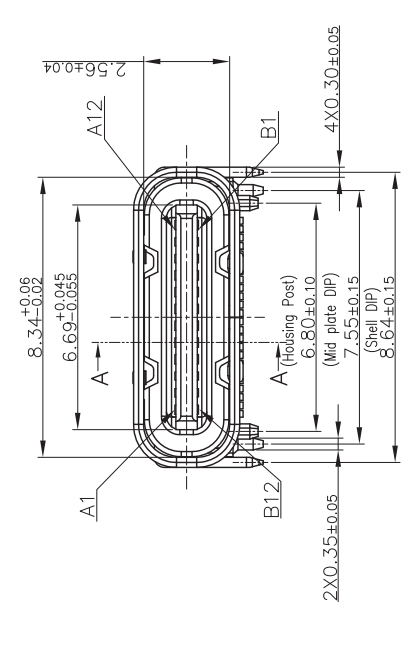
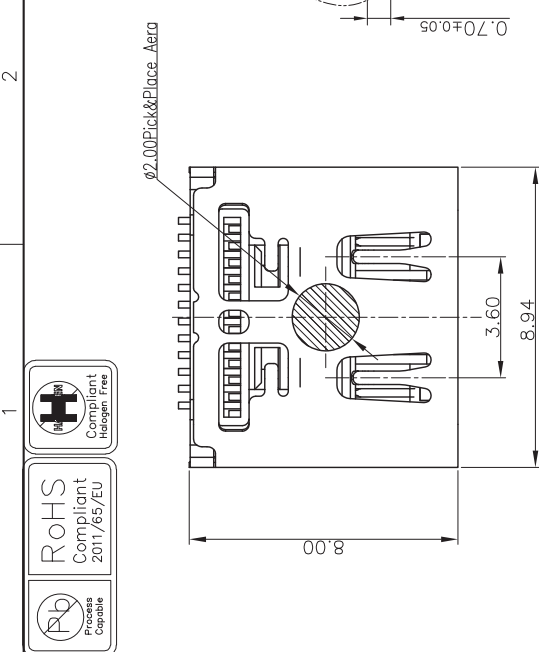


REV. A	ECN NO. OR DESCRIPTION PROPOSE ONLY	REVISED ERIC	DATE 2020.05.08
--------	--	-----------------	--------------------

PIN ASSIGNMENTS:											
A1	A2	A3	A4	A5	A6	A7	A8	A9	A10	A11	A12
GND	TX1+	TX1-	Vbus	CC1	D+	D-	SBU1	Vbus	RX2-	RX2+	GND
B12	B11	B10	B9	B8	B7	B6	B5	B4	B3	B2	B1
GND	RX1+	RX1-	Vbus	SBU2	D-	D+	CC2	Vbus	TX2-	TX2+	GND



1



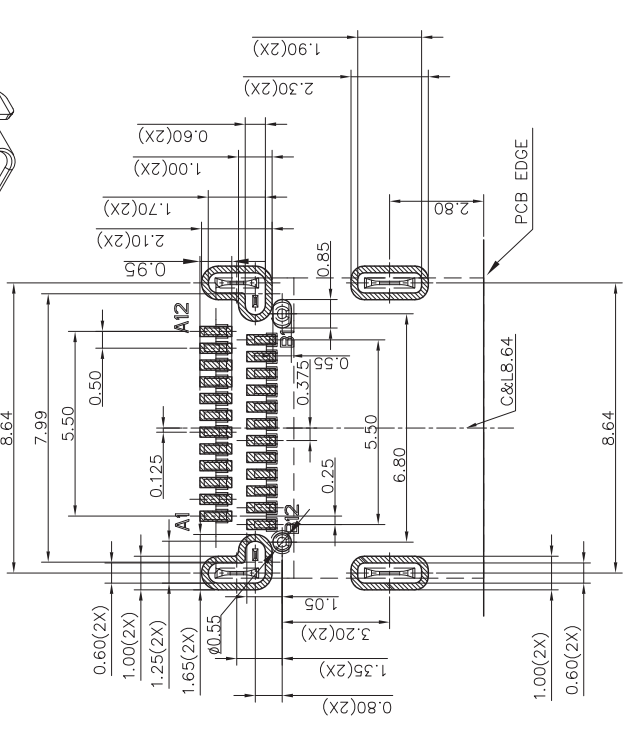
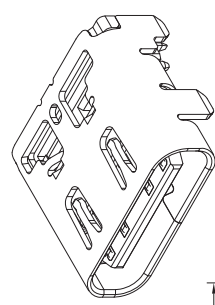
2

3

4

5

6



RECOMMENDED PCB LAYOUT (THICKNESS: 0.80MM)
PWB TOLERANCE: ±0.05

④	SHELL	STAINLESS STEEL	NI Plated	1PCS
③	CENTER PLATE	STAINLESS STEEL	NI Plated	1PCS
②	CONTACT	COPPER ALLOY	Au/Ni Plated	2SET
①	HOUSING	HIGH TEMPERATURE PLASTIC	BLACK	1PCS
NO.	DESCRIPTION	MATERIAL	REMARKS	QTY

UNLESS OTHERWISE SPECIFIED TOLERANCES		TACLEX ELECTRONICS CO., LTD.	
DECIMALS:	ANGLES:	TITLE	Type.C 24PIN Dull SMT CONN. RECEPTACLE
X : ±0.5	X : ±2°	DWN	cherjun PART NO. TCR06-32112402-01
X.X : ±0.30	X.X : ±1°	CHKD	cherjun SCALE: 1:1 UNIT: mm
X.XX : ±0.20		APVD	Kevin.d SIZE: A4 SHEET: 10F1 REV: A
X.XXX : ±0.10		DRAW NO.	C-DWG-TCR06-01 CUSTOMER COPY

SPECIFICATION:

- ELECTRICAL CHARACTERISTICS:
 - CURRENT RATING: 1.5A/Pin MAX(A4,A9,B4,B9)
 - 1.25A/Pin MAX(A1,A12,B1,B12),0.25A(OTHER PIN)
 - CONTACT RESISTANCE: 40 MILLIONHM MAX.
 - DIELECTRIC WITHSTANDING VOLTAGE: 100 VAC r.m.s
 - INSULATION RESISTANCE: 100 MEGOHMS MIN.
- MECHANICAL CHARACTERISTICS
 - INSERTION FORCE: 5~20N
 - EXTRACTION FORCE: Initial:8~20N;Durability:6~20N(10000cycles);
 - DURABILITY:10,000CYCLES
- ENVIRONMENTAL CHARACTERISTICS
 - TEMPERATURE RANGE: -40 °C ~ 85 °C
 - IR REFLOW: THE PEAK TEMPERATURE ON THE BOARD SHALL BE MAINTAINED FOR 10 SECONDS AT 260°C.

4.PART NO.: TCR06-32112402-01

TC=TYPE.C CONN.
R=RECEPTACLE
Product Order
32=HEIGHT ON BOARD 3.2mm
01=Services No.
02=3u" Au Plating On Contact Aero
1=BLACK HOUSING
I=WITH DULL POST
Pin No. 24=24Pin

6

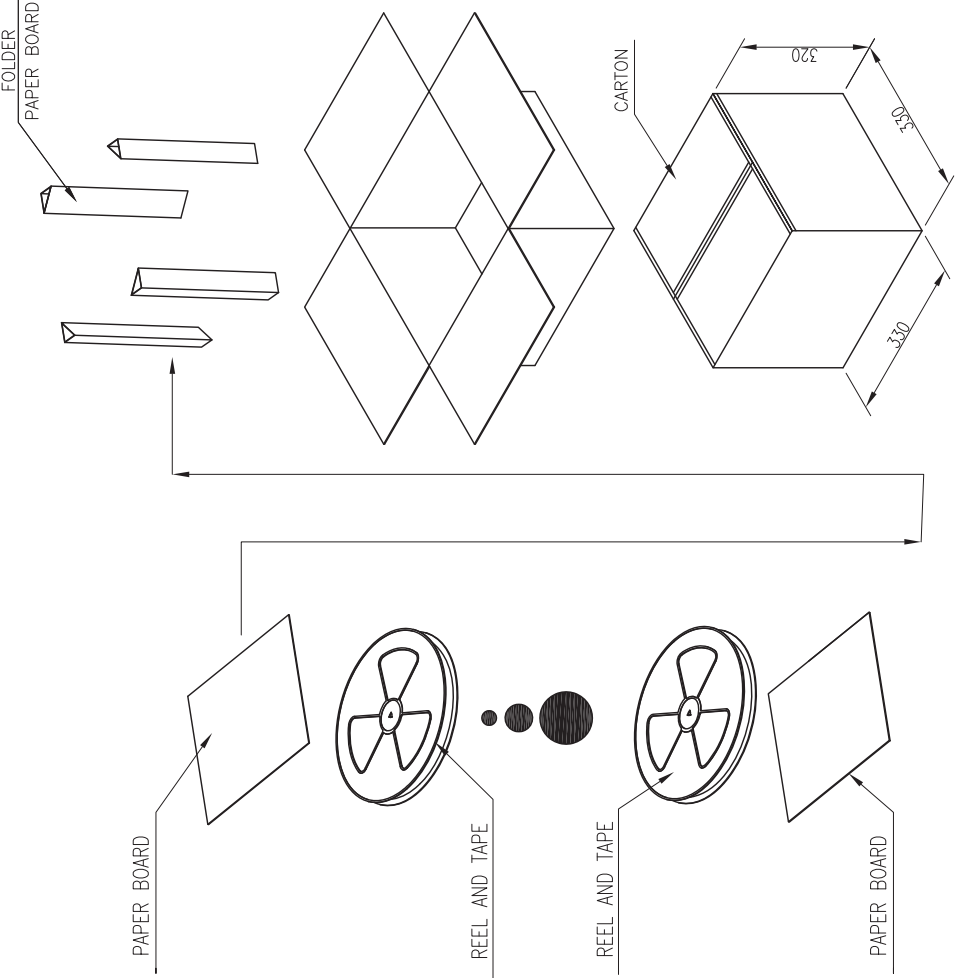
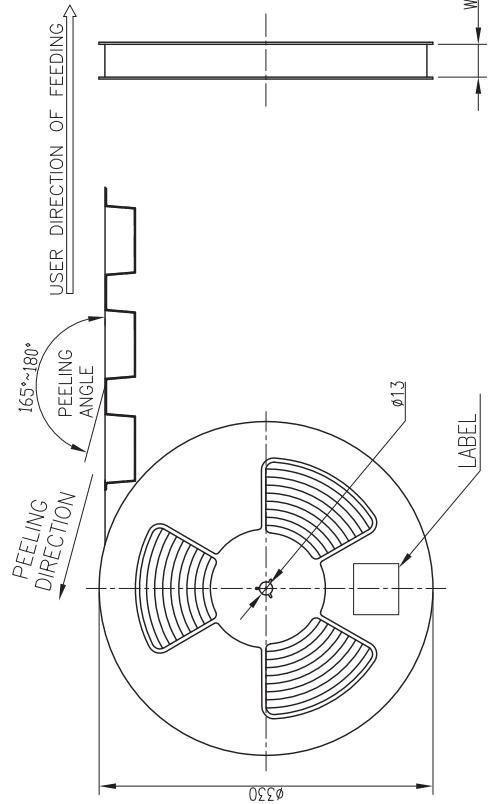
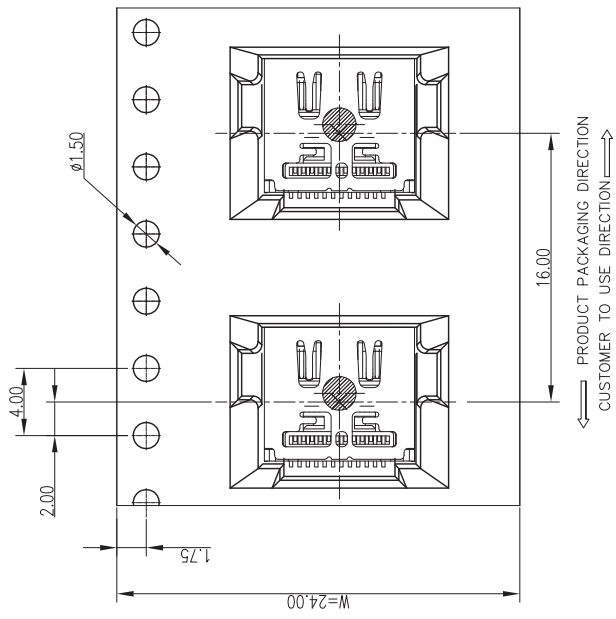
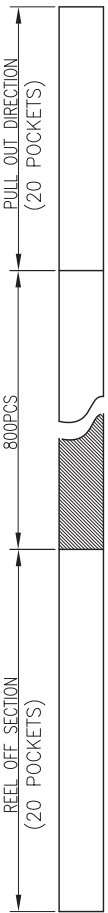
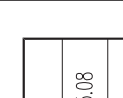
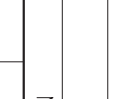
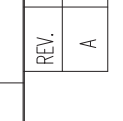
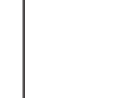
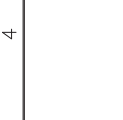
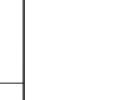
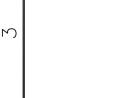
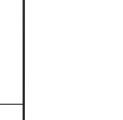
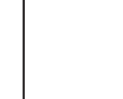
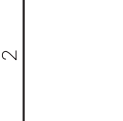
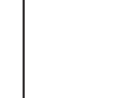
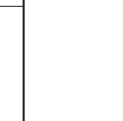
5

4

3

2

1



CONN. PART NO.	CONN. QTY./REEL	REEL QTY./CARTON	CONN. QTY./CARTON
TCR06-32112402-01	800	10	8000 PCS

UNLESS OTHERWISE SPECIFIED TOLERANCES	
DECIMALS:	ANGLES:
X : ±0.5	X : ±2°
X.X : ±0.30	X.X : ±1°
X.XX : ±0.20	
X.XXX : ±0.10	

TACLEX ELECTRONICS CO., LTD.			
TITLE	Type.C 24PIN Dull SMT	CONN. RECEPTACLE	
DWN	chenjun	PART NO. TCR06-32112402-01	
CHKD	chenjun	SCALE: 1:1	UNIT: mm
APVD	Kevin.d	SIZE: A4	SHEET: 10F1
DRAW NO. C-DWG-TCR06-01		CUSTOMER COPY	