

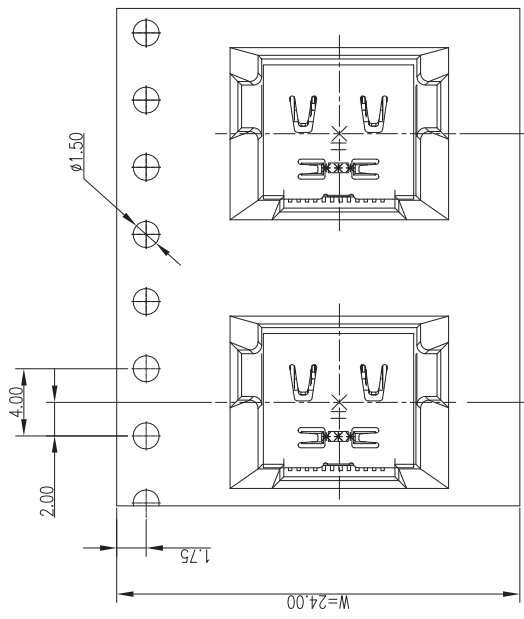
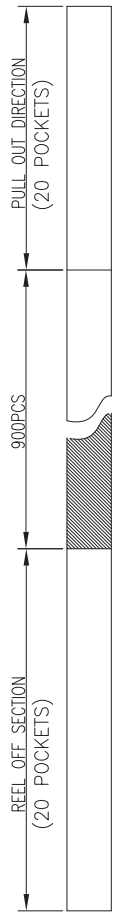


REV.	ECN NO OR DESCRIPTION	REVISED	DATE
A	PROPOSE ONLY	ERIC	2018.02.08

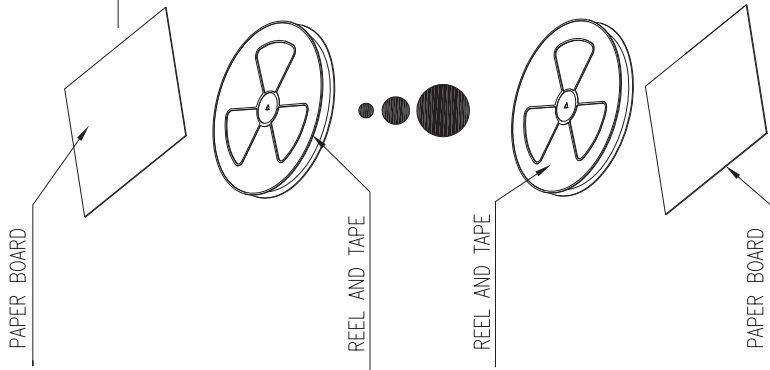
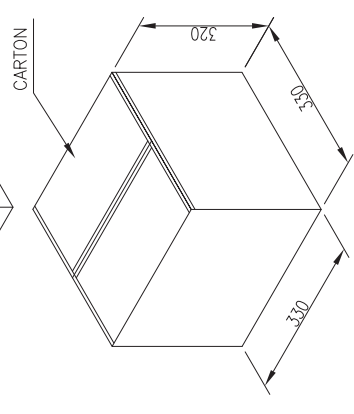
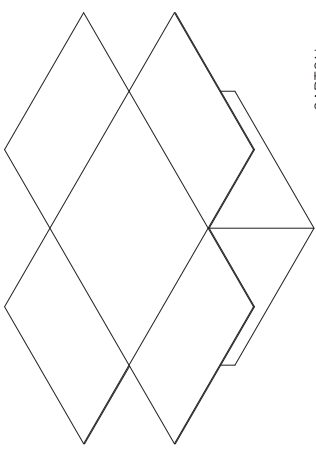
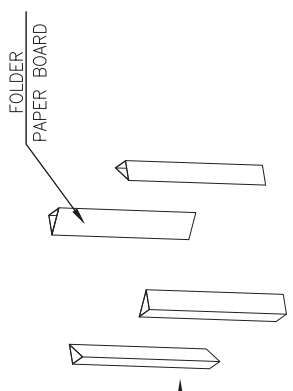
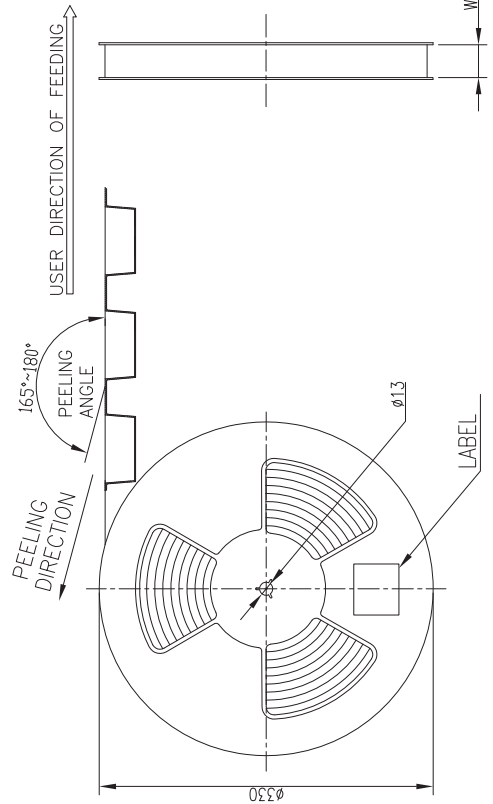
CONN. PART NO.	CONN. QTY./REEL	REEL QTY./CARTON	CONN. QTY./CARTON
TCR54-32112402-11	900	10	9000 PCS

UNLESS OTHERWISE SPECIFIED TOLERANCES	TITLE	Type:C 24PIN Dull SMT	CONN. RECAPTACLE
DECIMALS:	ANGLES:	DWN	chenjun
X :±0.5	X :±2°	CHKD	chenjun
X.X :±0.30	X.X :±1°	APVD	Kevin.d
X.XX :±0.20	X.XXX :±0.10		

1 2 3 4 5 6



PRODUCT PACKAGING DIRECTION
CUSTOMER TO USE DIRECTION



TACLEX ELECTRONICS CO., LTD.

DRAW NO.	C-DWG-TCR54-01	CUSTOMER COPY
REV.	A	
SHEET	10F1	
SIZE	A4	
UNIT	mm	
PART NO.	TCR54-32112402-11	
TYPE	C 24PIN Dull SMT	

1 2 3 4 5 6