

ROTARY DIP SWITCH 10x10 Size, Height: 6.5mm, 4x1 Terminal

F
E
Series



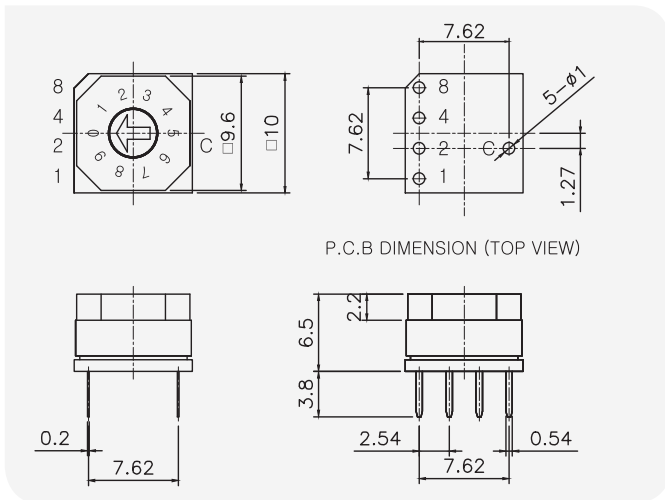
General Specification

1. Rating : 150mA, DC 42V (Switching)
200mA, DC 42V (None-Switching)
2. Contact Resistance : 80mΩ Max.
3. Insulation Resistance : 100MΩ Min at DC 250V
4. Operating Force : 700gf Max.
5. Life Cycle : 10,000 steps
6. Sealing : IP67 (Dust & Water proof)
*Except cross type of Actuator ("E" Type)

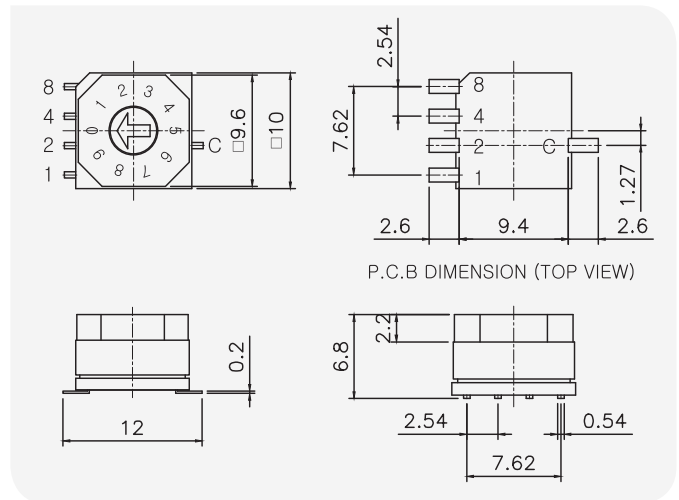
*See page 32 for Accessories.

GENERAL DIMENSION

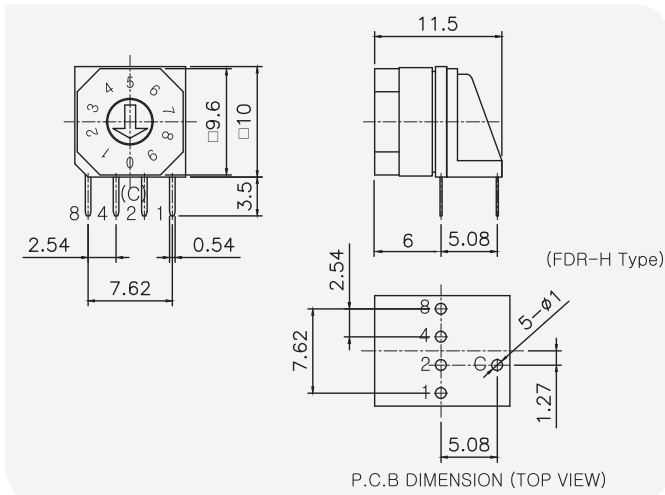
Through Hole Type Layout



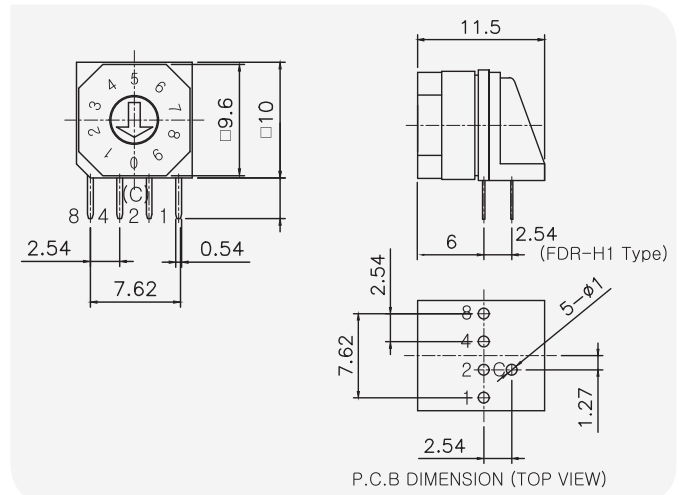
SMD Gull Wing Type Layout



Angle Type Layout (H:5.08mm)



Angle Type Layout (H1:2.54mm)



ROTARY DIP SWITCH 10x10 Size, Height: 6.5mm, 4x1 Terminal

HOW TO ORDER

F

Cover Type

- F** Octagon Type (Ter' 4x1)
- E** Square (Ter' 4x1)

D

Actuator

- D** Arrow (Height = 0mm)
- S** Height = 7.3mm
- P** Height = 1.0mm
- E** Cross (Height = 0mm)

R

Code

- R** Real Code
 - C** Complement Code
 - G** Gray Code
- *Other special codes are available upon the request.

—

10

Position

- 04** 4 Position
- 06** 6 Position
- 08** 8 Position
- 10** 10 Position
- 16** 16 Position

S

Terminal

- Through-Hole (Ter' 4x1)
- S** SMD Gull Wing (Ter' 4x1)
- H** Right Angle 5.08mm
- H1** Right Angle 2.54mm

-

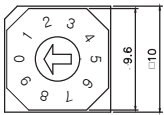
Packing

- Tube Packing
- TR** Reel Packing

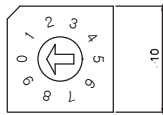
1. Cover Type



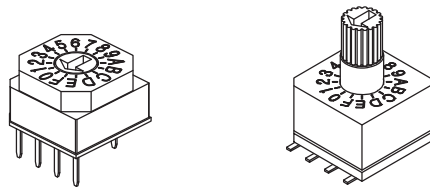
F Type (Octagon) 4x1 Ter'



F: Octagon



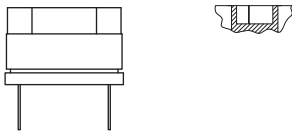
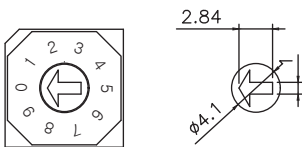
E: Square



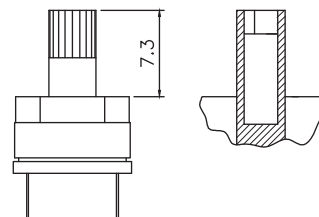
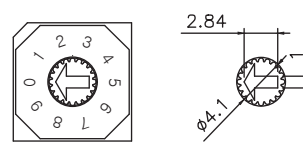
2. Actuator



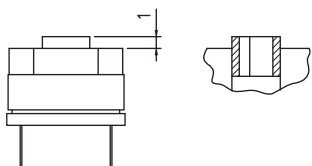
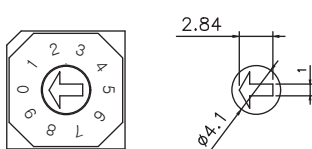
D Arrow (Height = 0mm)



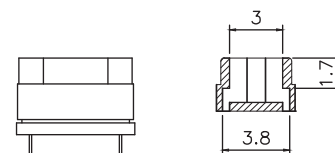
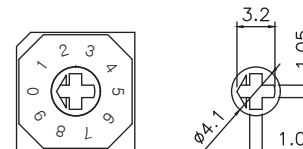
S Height = 7.3mm



P Height = 1mm



E Cross (Height = 0mm)



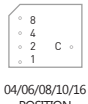
ROTARY DIP SWITCH 10x10 Size, Height: 6.5mm, 4x1 Terminal

3. Code & Position



R Real Code

16 Position	10 Position	08 Position	06 Position	Real Code				
				C	1	2	4	8
0								0
1								1
2								2
3								3
4								4
5								5
6								6
7								7
8								8
9								9
10								A
11								B
12								C
13								D
14								E
15								F



C Complement Code

16 Position	10 Position	08 Position	06 Position	Complement Code				
				C	1	2	4	8
0								0
1								1
2								2
3								3
4								4
5								5
6								6
7								7
8								8
9								9
10								A
11								B
12								C
13								D
14								E
15								F



S Decimal Code

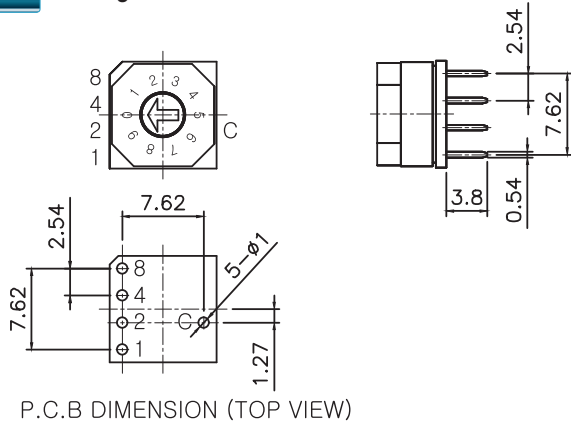
04 Position	Decimal Code			
	C	1	2	4
1				
2				
3				
4				

* Special Codes are available upon the request.

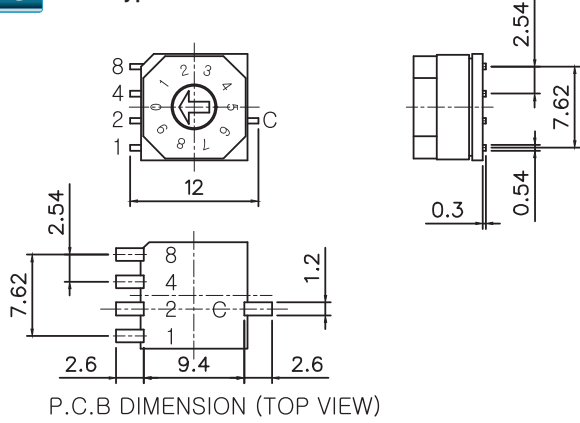
4. Terminal



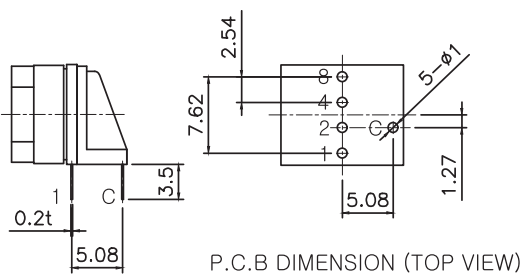
Through-Hole (Ter' 4x1)



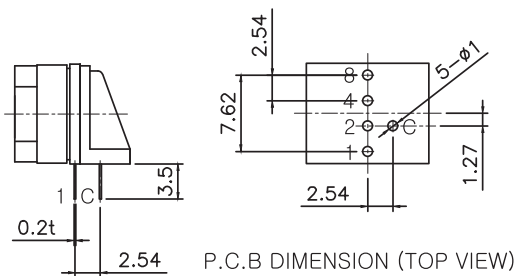
SMD Type (Ter' 4x1)



H Angle Type 5.08mm (Ter' 4x1)



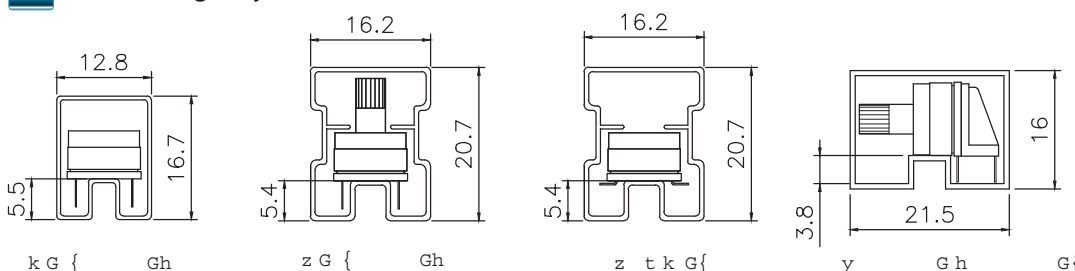
H1 Angle Type 2.54mm (Ter' 4x1)



5. Packing



Tube Packing (Q'ty: 50Pcs/Tube)



Reel Packing (See Page 31)

G O O S G O X P