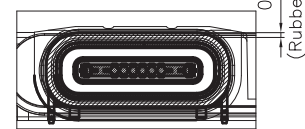
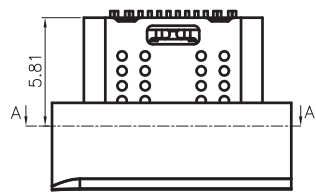
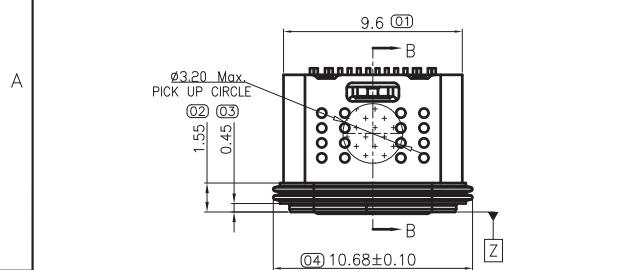


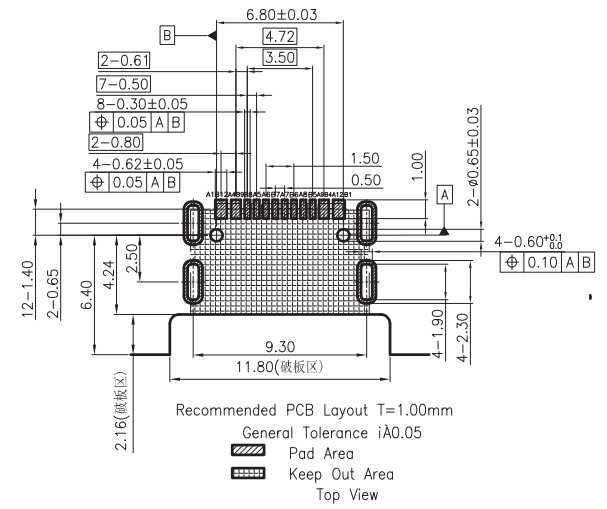


REV.	ECN NO OR DESCRIPTION	REVISED	DATE
A	PROPOSE ONLY	ERIC	2022.03.05

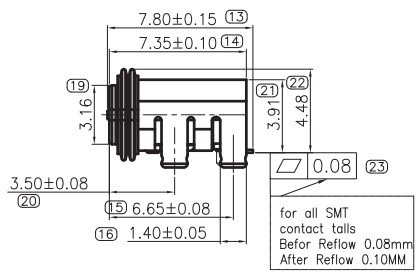
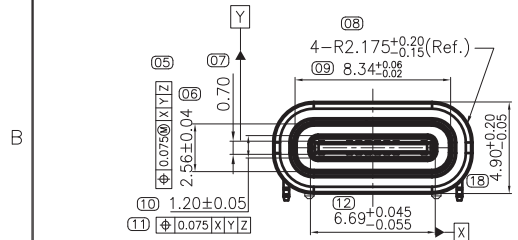


Mount Customer's Mechanism

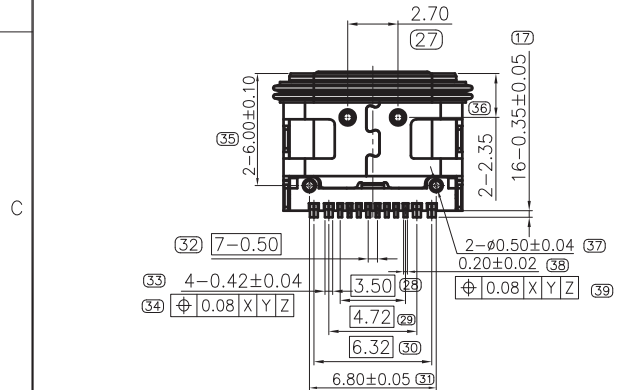
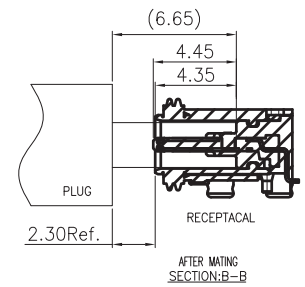
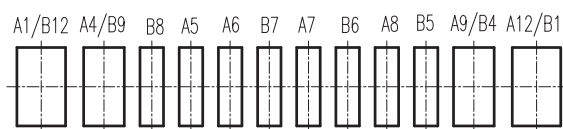
SECTION A-A SCALE 1:1



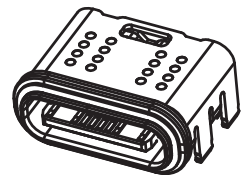
Recommended PCB Layout T=1.00mm
 General Tolerance ±A0.05
 ▨ Pad Area
 ▨ Keep Out Area
 ▨ Top View



for all SMT contact tails
 Befor Reflow 0.08mm
 After Reflow 0.10MM



- Note:
- Material:
 - Housing: Thermoplastic, UL94-V0; Colour: Black.
 - Terminal: Copper alloy, Contact: See table A.
 - Shell & Solder: SUS; Plating: Ni.
 - Electrical Characteristics:
 - Rating: GND: 5A, VBUS Total: 5A;
 - Contact resistance: 40mΩMax.; After test add 10 mΩMax.
 - Electric Strength test: 500VAC, 0.1S, 0.5mA;
 - Insulation test: 500VDC, 0.1S, 100MΩ;
 - Mechanical properties:
 - Mating force: 5~20N;
 - Unmating force: 8~20N (Initial), 6~20N (After Durability);
 - Testing Speed: 200±50 Times/H; Test: 10000 times;
 - Environmental Characteristics: Oper. Temp.: -55°C ~ +85°C;
 - Waterproof Rate: IPX4
 - Restriction of Hazardous Substances: Components be RoHS and HF compliant.



PIN DEFINE:

Pin	Signal Name	Description	Mating Sequence	Pin	Signal Name	Description	Mating Sequence
A1	GND	Ground return	First	A12	GND	Ground return	First
A4	Vbus	Bus Power	First	B9	Vbus	Bus Power	First
A5	CA1	Configuration Channel	Second	B8	SBU2	Sideband Use(SBU)	Second
A6	Dp1	Positive half of the USB 2.0 differential pair-Position 1	Second	B7	Dn2	Negative half of the USB 2.0 differential pair-Position 2	Second
A7	Dn1	Negative half of the USB 2.0 differential pair-Position 1	Second	B6	Dp2	Positive half of the USB 2.0 differential pair-Position 2	Second
A8	SBU1	Sideband Use(SBU)	Second	B5	CC2	Configuration Channel	Second
A9	Vbus	Bus Power	First	B4	Vbus	Bus Power	First
A12	GND	Ground return	First	A1	GND	Ground return	First

ITEM	PART NAME	MATERIAL	REMARK
9	Silicone rubber	RBB	RED
8	Silicone rubber	RBB	BLACK
7	Outer-shell	SUS304	Underplated: Ni 30u"Min.
6	Inner-shell	SUS304	Underplated: Ni 30u"Min.
5	2M	PA Black	UL94V-0
4	1M	PA Black	UL94V-0
3	Mid-plate	SUS301	Cleaned
2	Low contact	Copper Alloy	Underplated: Ni 50u"Min. Contact area: Au3u"Min. Solder tall: Au1Min.
1	Upper contact	Copper Alloy	

7.PART NO.: **TWR27-39111602-01**

TC=TYPE.C WATERPROOF
 R=RECEPTACLE
 Product Order

01= Services NO.
 02=3u" Au Plating On Contact Area
 Pin NO. 16=16Pin

39:HEIGHT ON BOARD 3.9mm
 1=BLACK HOUSING
 1=WITH DULL POST

UNLESS OTHERWISE SPECIFIED TOLERANCES

DECIMALS:	ANGLES:
X : ±0.5	X : ±2°
X.X : ±0.30	X.X : ±1°
X.XX : ±0.20	
X.XXX : ±0.10	

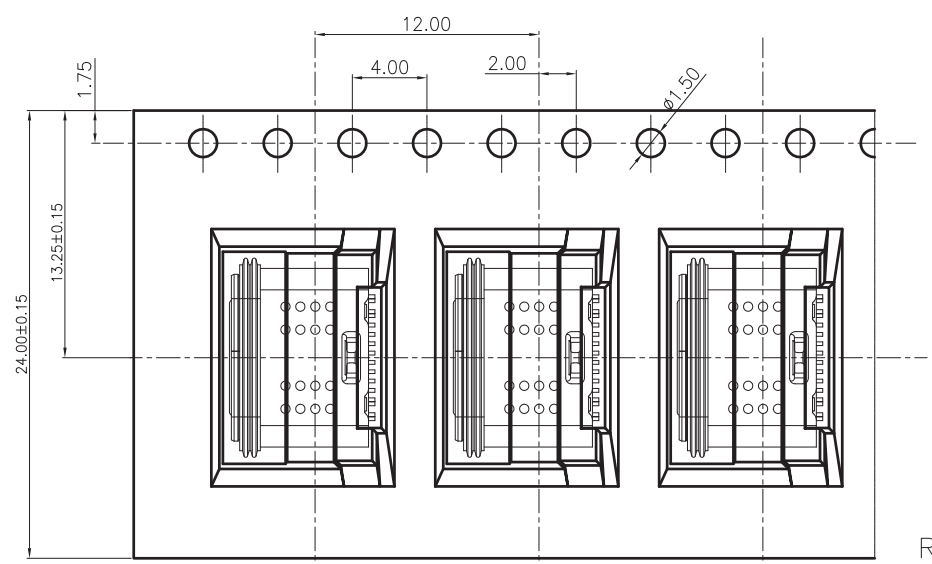
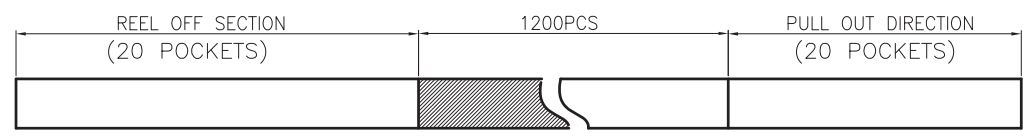


TITLE	Type.C 16PIN WATERPROOF CONN. RECPTACLE		
DWN	chenjun	PART NO. TWR27-39111602-01	
CHKD	chenjun	SCALE: 1:1	UNIT: mm
APVD	Kevin.d	SIZE: A4	SHEET: 1OF1
DRAW NO.	C-DWG-TWR19-01		CUSTOMER COPY

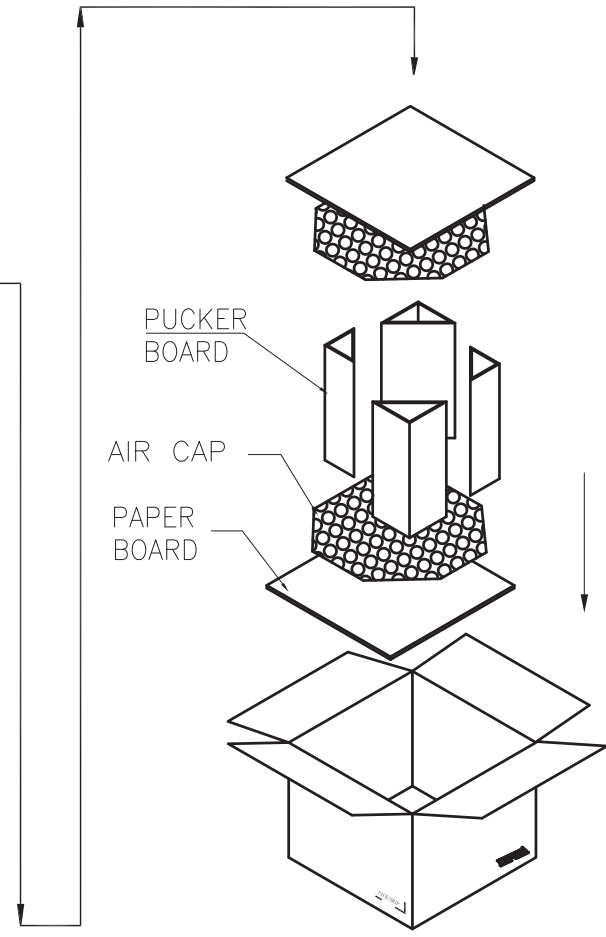
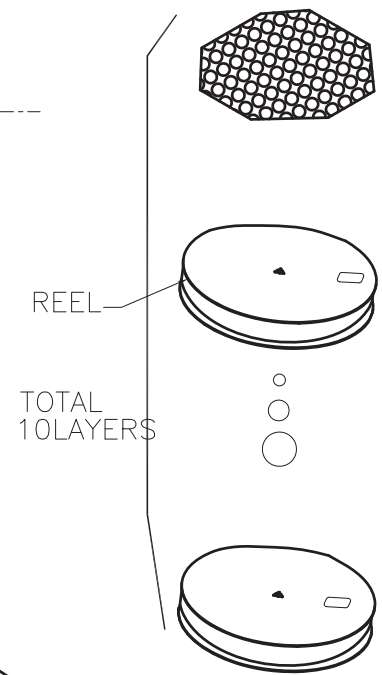
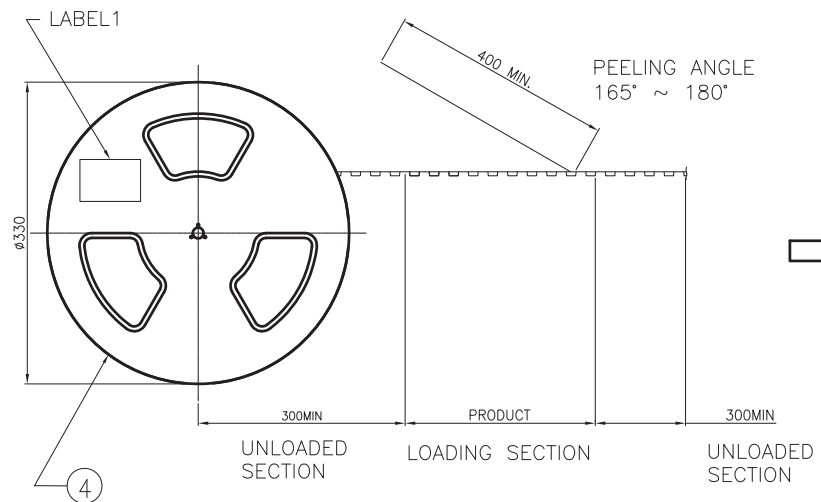


REV.	ECN NO OR DESCRIPTION	REVISED	DATE
A	PROPOSE ONLY	ERIC	2022.03.05

CONN. PART NO.	CONN. QTY./REEL	REEL QTY./CARTON	CONN. QTY./CARTON
TWR27-39111602-01	1200	10	12000 PCS



← PRODUCT PACKAGING DIRECTION
 CUSTOMER TO USE DIRECTION → PULL OUT DIRECTION (出料方向)



UNLESS OTHERWISE SPECIFIED TOLERANCES		TACLEX ELECTRONICS CO., LTD.			
DECIMALS:	ANGLES:	TITLE	Type.C 16PIN WATERPROOF CONN. RECPTACLE		
X :±0.5	X :±2°	DWN	chenjun	PART NO. TWR27-39111602-01	
X.X :±0.30	X.X :±1°	CHKD	chenjun	SCALE:1:1	UNIT: mm
X.XX :±0.20		APVD	Kevin.d	SIZE: A4	SHEET:1OF1
X.XXX :±0.10		DRAW NO. C-DWG-TWR19-01		CUSTOMER COPY	