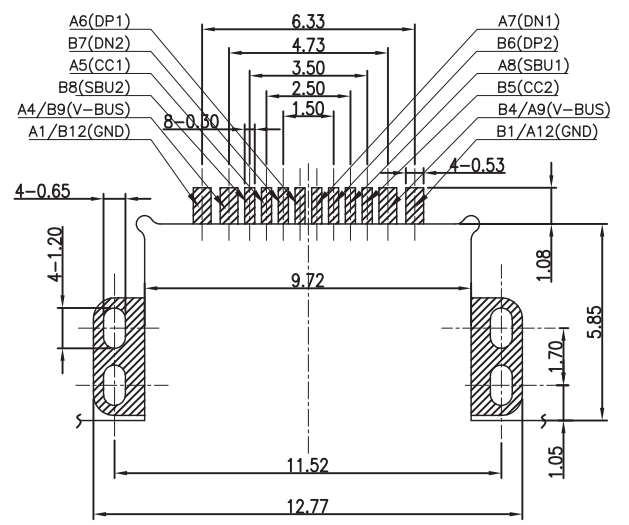
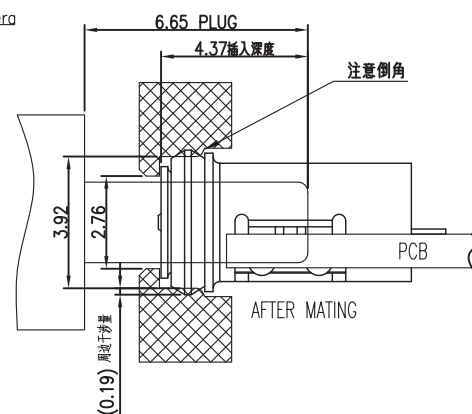
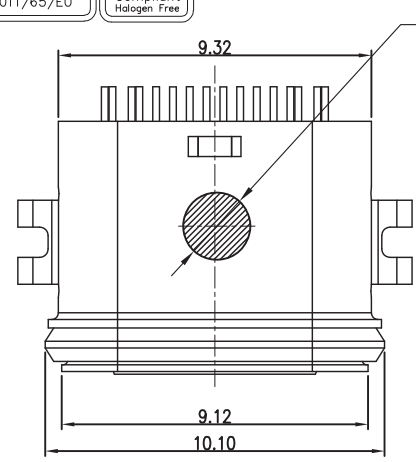
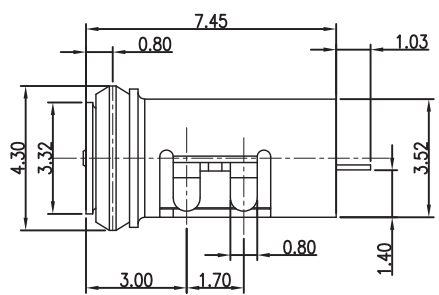
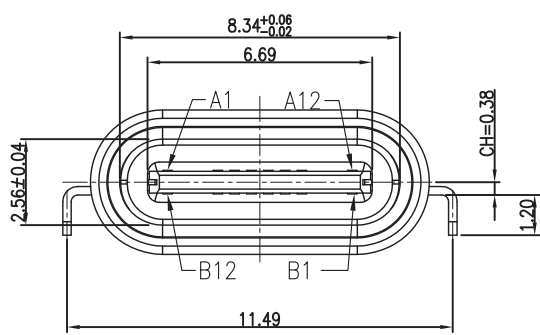
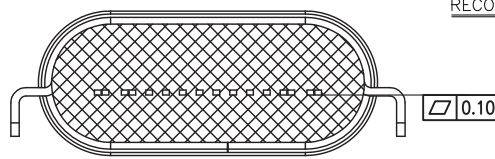
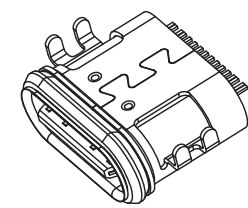




REV.	ECN NO OR DESCRIPTION	REVISED	DATE
A	PROPOSE ONLY	ERIC	2021.06.15



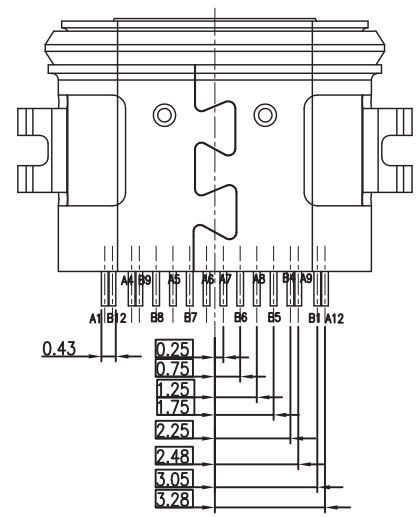
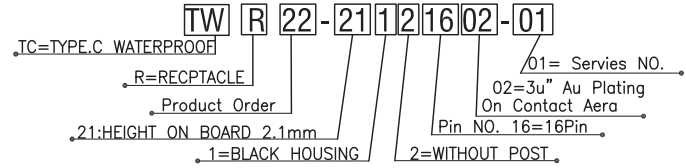
RECOMMENDED P.C.B LAYOUT (COMPONENT SIDE)
 PCB THICKNESS: 0.80±0.05mm
 DEFAULT TOLERANCE: ±0.05mm



SPECIFICATION:

- ELECTRICAL:
 - CONTACT CURRENT RATING 5.0A FOR VBUS AND GND(PINS A4 A9 B4 B9)
 - INSULATION RESISTANCE: 100 MEGAOHMS MIN. AT 250VDC.
 - DIELECTRIC WITHSTANDING VOLTAGE: 100VAC MIN.
 - LOW CONTACT RESISTANCE: INITIAL 40mΩ MAX. AFTER 50mΩ MAX.
- MECHANICAL CHARACTERISTICS:
 - INSERTION FORCE: 5N~20N.
 - EXTRACTION FORCE: 8N~20N FORM 1 TO 1000CYCLES. 6~20N FORM 1001 TO 10000CYCLES.
 - DURABILITY: 10,000 MATING CYCLES
 - OPERATING TEMPERATURE: -55°C TO +85°C
- COPLANARITY: 0.10MAX.
- PART NUMBER INFORMATION:

4.PART NO.:



H	O-Ring	1	SILICONE	UL94V-0, BLACK
G	GLUE	1	SILICONE	UL94V-0
F	OUTER SHELL	1	Stainless Steel, T=0.30	OVER ALL: 50u'' Min Ni UNDERPLATED SOLDER TAIL: G/F Au PLATED
E	INNER SHELL	1	Stainless Steel, T=0.20	CLEAN
D	SOLDER-PLATE	1	Stainless Steel, T=0.10	CLEAN
C	HOUSING	1	High-Temp Plastics	UL94V-0, BLACK
B	MID-PLATE	1	Stainless Steel, T=0.15	OVER ALL: 50u'' Min Ni PLATED
A	CONTACTS	16	Copper Alloy T=0.15mm	CONTACT AREA: 3u'' Au Min SOLDER TAIL: G/FAu OVER ALL: 50u'' Ni UNDERPLATED
ITEM	NAME	Q'TY	MATERIAC	FINISH

UNLESS OTHERWISE SPECIFIED TOLERANCES

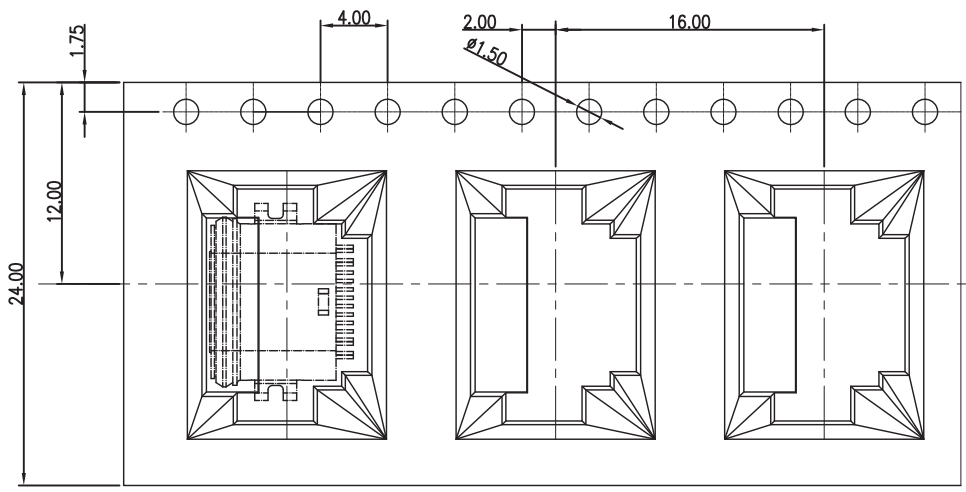
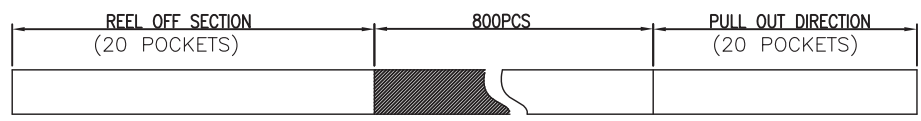
TACLEX ELECTRONICS CO., LTD.

DECIMALS:	ANGLES:	TITLE	Type.C 16PIN SMT CONN. WATERPROOF IPX7		
X : ±0.5	X : ±2°	DWN	chenjun	PART NO. TWR22-21121602-01	
X.X : ±0.30	X.X : ±1°	CHKD	chenjun	SCALE: 1:1	UNIT: mm
X.XX : ±0.20		APVD	Kevin.d	SIZE: A4	SHEET: 1OF1
X.XXX : ±0.10		DRAW NO.	C-DWG-TWR19-01	SHEET: 1OF1	REV: A
				CUSTOMER COPY	



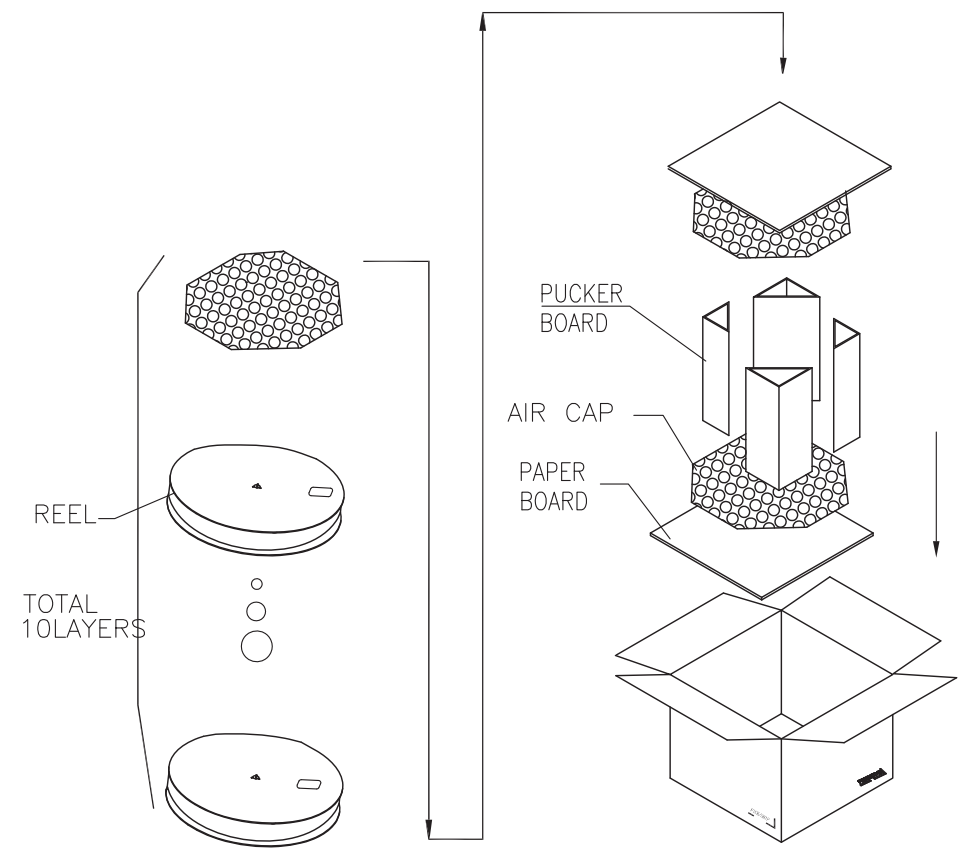
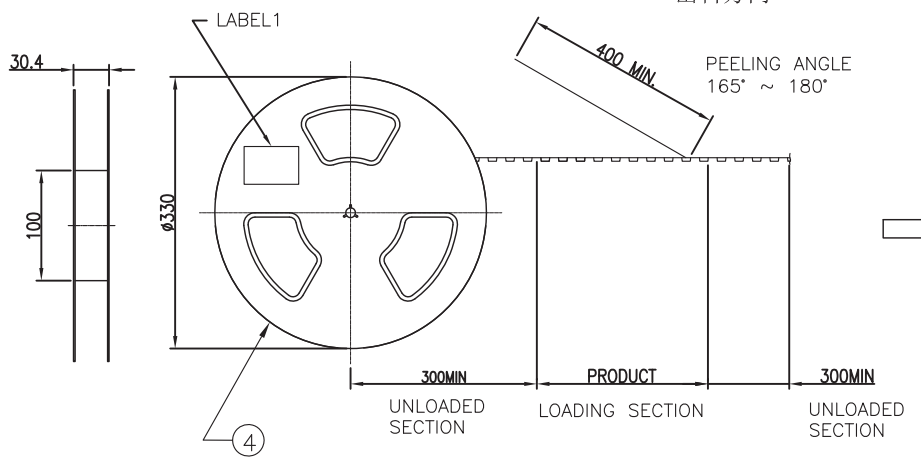
REV.	ECN NO OR DESCRIPTION	REVISED	DATE
A	PROPOSE ONLY	ERIC	2021.06.15

CONN. PART NO.	CONN. QTY./REEL	REEL QTY./CARTON	CONN. QTY./CARTON
TWR22-21121602-01	800	10	8000 PCS



← PRODUCT PACKAGING DIRECTION
 CUSTOMER TO USE DIRECTION →

← PULL OUT DIRECTION
 出料方向 →



UNLESS OTHERWISE SPECIFIED TOLERANCES				
DECIMALS:	ANGLES:	TITLE	Type.C 16PIN SMT CONN. WATERPROOF IPX7	
X :±0.5	X :±2°	DWN	chenjun	PART NO. TWR22-21121602-01
X.X :±0.30	X.X :±1°	CHKD	chenjun	SCALE:1:1 UNIT: mm
X.XX :±0.20		APVD	Kevin.d	SIZE: A4 SHEET:1OF1 REV: A
X.XXX :±0.10		DRAW NO. C-DWG-TWR19-01		CUSTOMER COPY